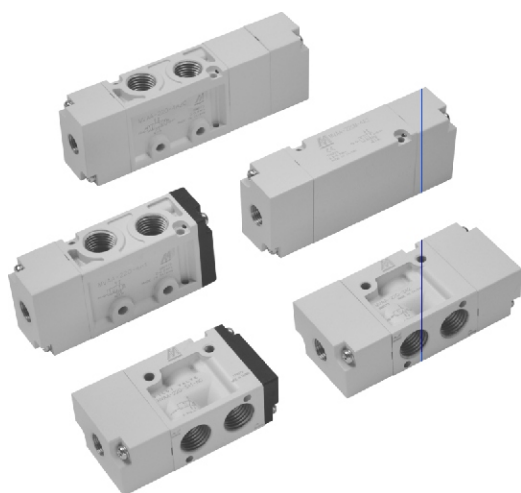


MVAA-220 series

PILOT VALVE



Specification

Model	MVAA-220-3A1,A2	MVAA-220-4A1,A2, 4A2CPR
Bore No.	8A	
Port size	Rc1/4	
No. of port	3	5
Medium	Air	
Operating pressure range	0.15~0.8 MPa	
Proof pressure	1 MPa	
Effective orifice	18 mm ²	
Pilot pressure range	(0.3×P*+0.1)~0.8 MPa	
Ambient temperature	-5~+60℃ (No freezing)	
Weight	122 g	134 g
	106 g	134 g
		179 g

※ P: Operating pressure.

Order example

MVAA — 220M — 4A2C — NC — G

MODEL

BODY WIDTH

Blank: body ported type
M: manifold type

3: 3way
4: 4way

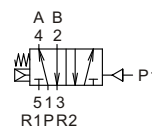
A1: Single pilot
A2: Double pilot

NC: Normally closed
NO: Normally open
(Only for 3A1 type)

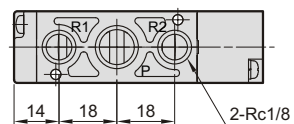
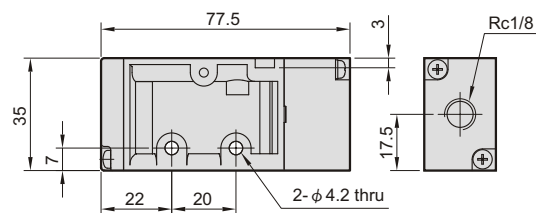
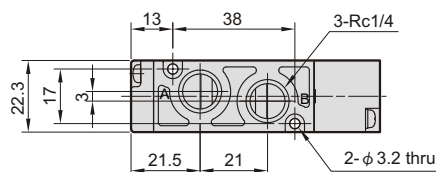
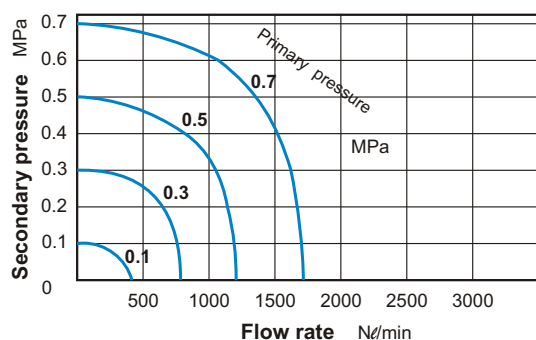
C: Closed center
P: Pressure center
R: Exhaust center
(Only for 4A2 type)

PORT THREAD
Blank: Rc thread
G: G thread
NPT: NPT thread

MVAA-220-4A1



Flow features

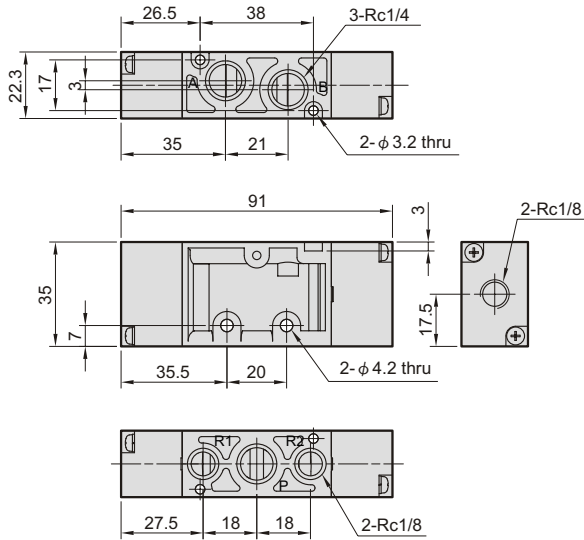
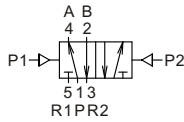


MVAA-220 Dimensions

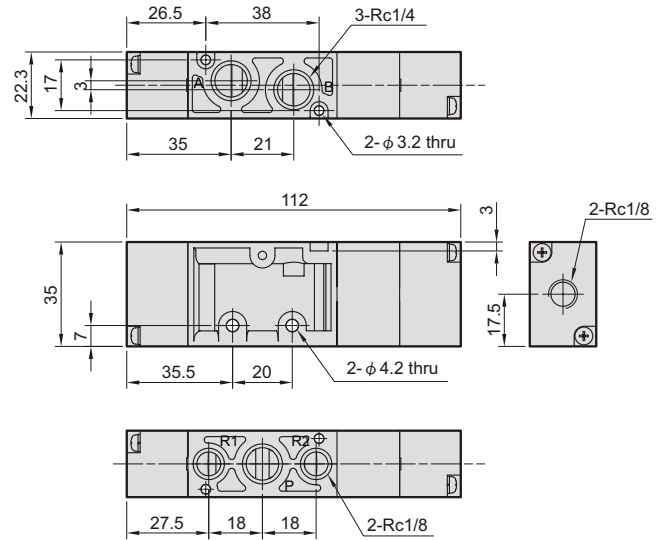
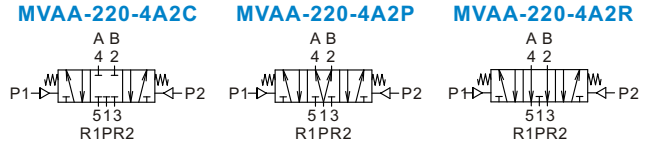
PILOT VALVE



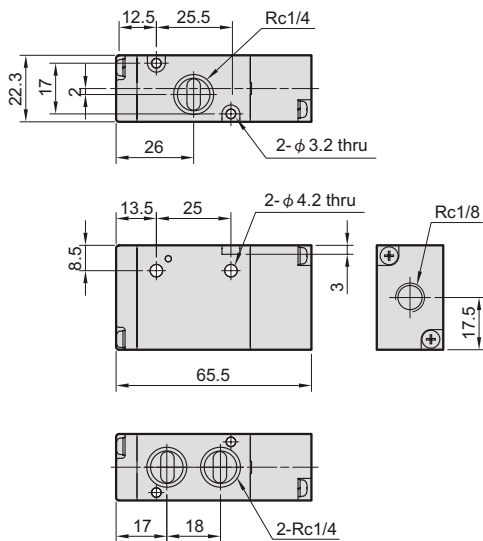
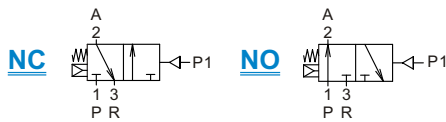
MVAA-220-4A2



MVAA-220-4A2C.P.R



MVAA-220-3A1-NC/NO



MVAA-220-3A2

