

MVHA-41* series

HAND VALVE



Specification

Model	MVHA-41V	MVHA-41P	MVHA-41PP
Bore No.	6A		
Port size	Rc1/8		
No. of port	5		
No. of position	2		
Medium	Air		
Operating pressure range	0~0.9 MPa		
Effective orifice	5.5 mm ²		
Ambient temperature	-5~+60°C (No freezing)		
Weight	64 g	58 g	76 g

Order example

MVHA - 41V - G

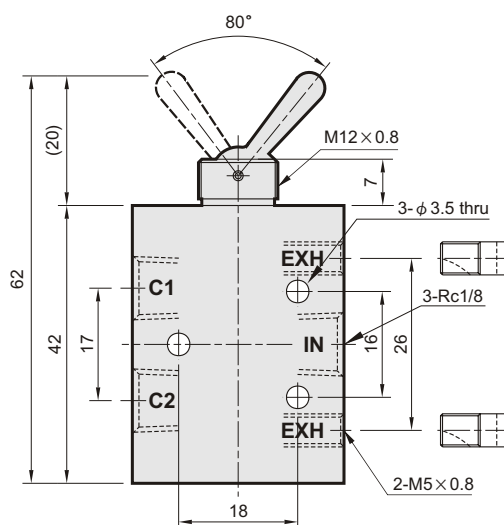
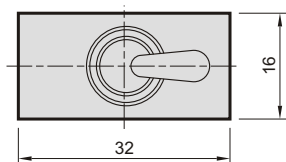
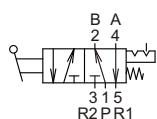
MODEL

4way

V: V toggle
P: Single push button
PP: Double push button

PORT THREAD
Blank: Rc thread
G: G thread
NPT: NPT thread

MVHA-41V

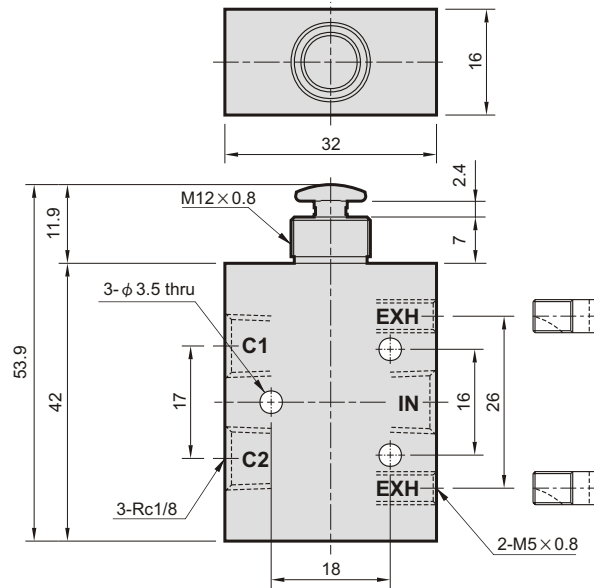
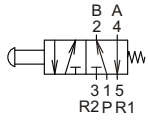


MVHA-41* Dimensions

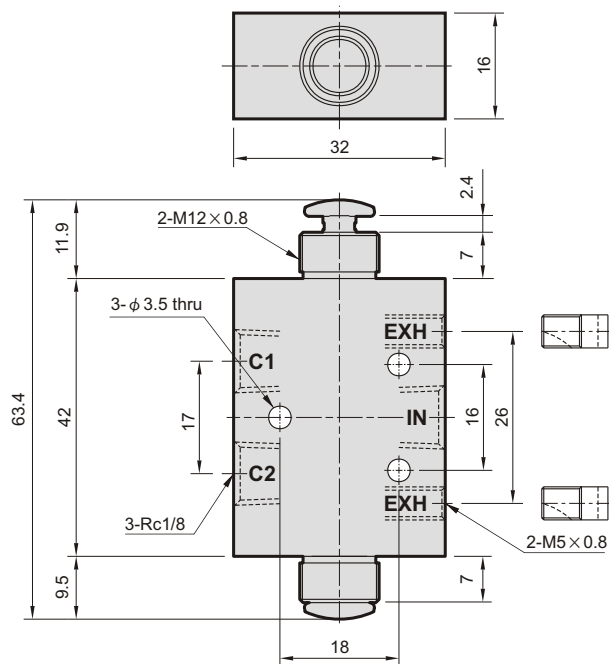
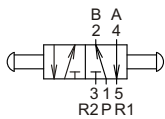
HAND VALVE



MVHA-41P



MVHA-41PP



Mindman