

MVHD-220 series

HAND VALVE



mindman



Specification

Model	MVHD-220
Bore No.	8A
Port size	Rc1/4
No. of port	5
No. of position	2
Medium	Air
Operating pressure range	0~0.7 MPa
Effective orifice	18 mm ²
Ambient temperature	-5~+50°C (No freezing)
Weight	180 g

Order example

MVHD - 220 - 4P - G

MODEL

BODY WIDTH

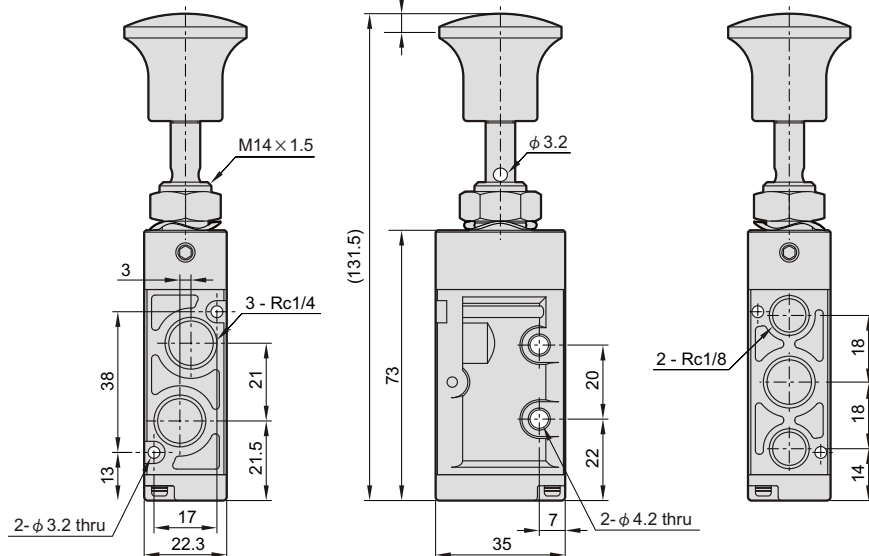
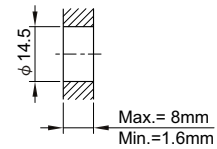
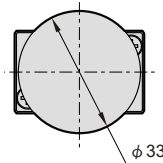
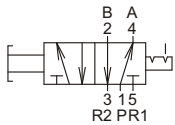
4 way

ACTUATOR TYPE
P: Push-pull

PORT THREAD
Blank: Rc thread
G: G thread
NPT: NPT thread

Panel mounting hole

MVHD-220



mindman