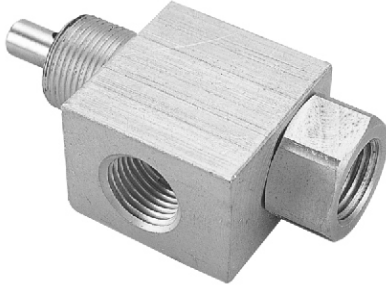


MVHF-2P/3P-NC

HAND VALVES

MVHF-3P-NO

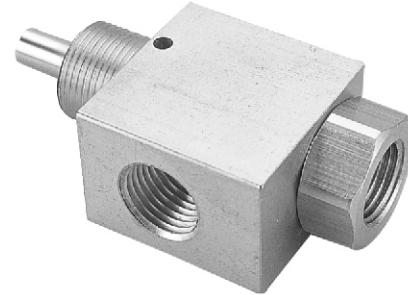
HAND VALVES



Specification

Type	normally CLOSED 3-way poppet
Medium	Air
Stem travel	1/8"
Input pressure	150 psig max.
Effective orifice	7.2 mm ²
Force for full stem travel	38 oz. nominal
Temperature range	32°F ~230°F
Ports	Input: G1/8 Output: G1/8
Exhaust	Hole to atmosphere
Mounting	15/32-32 male thread nuts and lock washers furnished
Weight	65 g

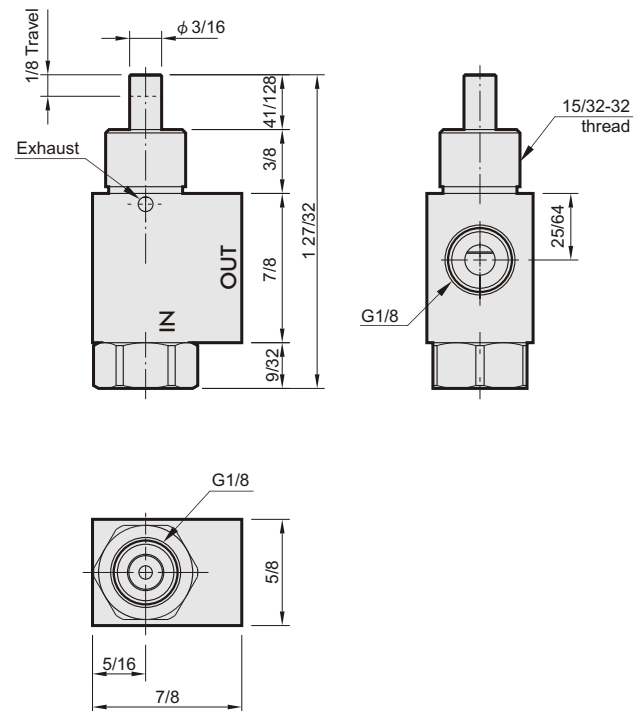
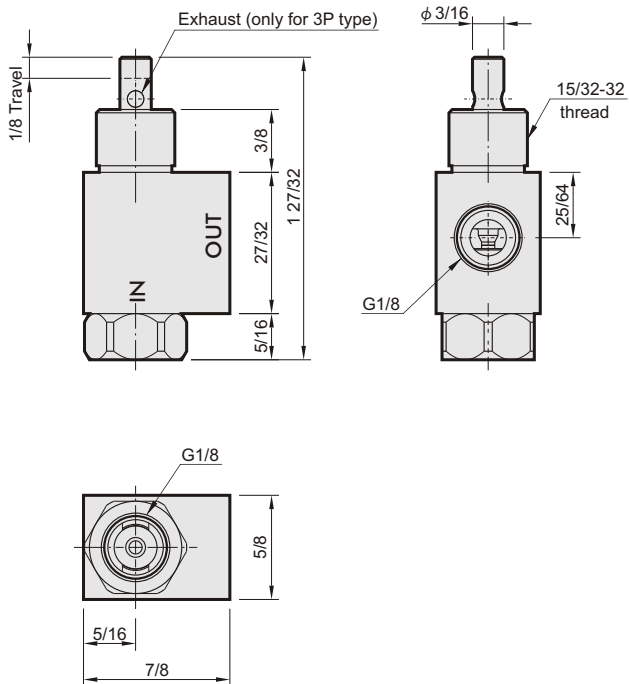
※Port thread NPT. are also available.



Specification

Type	normally OPEN 3-way poppet
Medium	Air
Stem travel	1/8"
Input pressure	150 psig max.
Effective orifice	5.7 mm ²
Force for full stem travel	38 oz. nominal
Temperature range	32°F ~230°F
Ports	Input: G1/8 Output: G1/8
Exhaust	Hole to atmosphere
Mounting	15/32-32 male thread nuts and lock washers furnished
Weight	69 g

※Port thread NPT. are also available.



Mindman