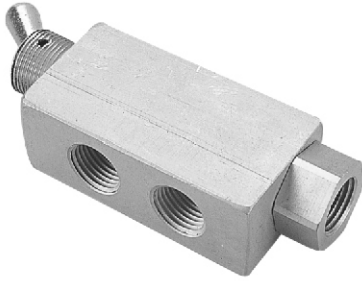


# MVHF-3V

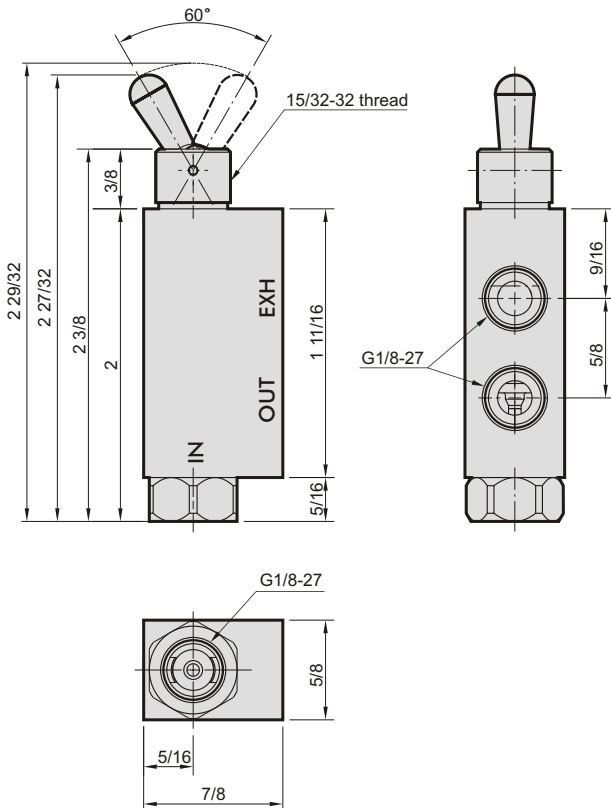
## HAND VALVES



### Specification

Type	normally CLOSED 3-way poppet two position toggle valve
Medium	Air, water, oil
Arc of travel	60°
Input pressure	150 psig max.
Air flow	@ 50 psig 14 SCFM, @100 psig 25 SCFM
Force for full stem travel	2 1/2 oz.nominal
Temperature range	32°F~230°F
Ports	Input: G1/8 Output: G1/8 Exhaust: G1/8
Mounting	15/32-32 male thread nuts and lock washers furnished
Weight	118 g

※Port thread NPT. are also available.

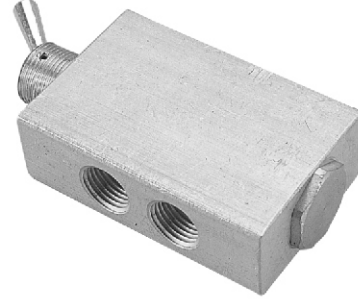


# MVHF-5V

## HAND VALVES



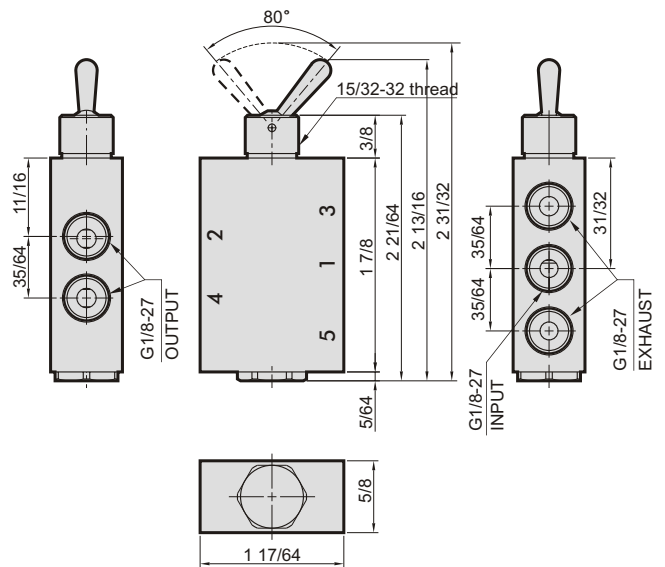
mindman



### Specification

Type	4-way spool valve toggle actuated two position 5 ported
Medium	Air, water, oil
Arc of travel	80°
Input pressure	150 psig max.
Effective orifice	4.3 mm <sup>2</sup>
Force for full stem travel	3 oz. nominal
Temperature range	32°F~230°F
Ports	Input: G1/8 Output:G1/8 Exhaust:G1/8
Mounting	15/32-32 male thread nuts and lock washers furnished
Weight	172 g

※Port thread NPT. are also available.



mindman