

MVHF-5P

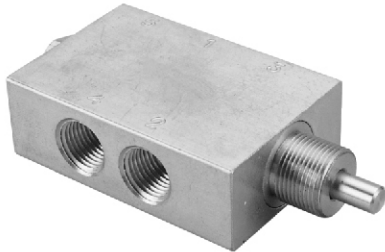
HAND VALVES

MVHF-AP*

MINIATURE PILOT ACTUATOR
3/8" BORE



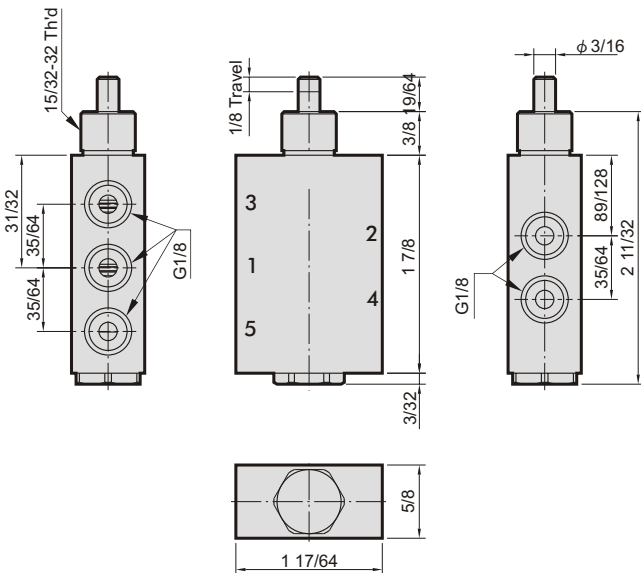
mindman



Specification

Type	4-way spool valve plunger actuated spring return fully ported
Medium	Air, water, oil
Stem travel	1/8"
Input pressure	Vacum to 150 psig max.
Effective orifice	8.6 mm ²
Force for full stem travel	4 1/2 lb nominal
Temperature range	32°F~230°F
Ports	Input: G1/8 Output: G1/8 Exhaust: G1/8
Mounting	15/32-32 male thread nuts and lock washers furnished
Weight	171 g

※Port thread NPT. are also available.

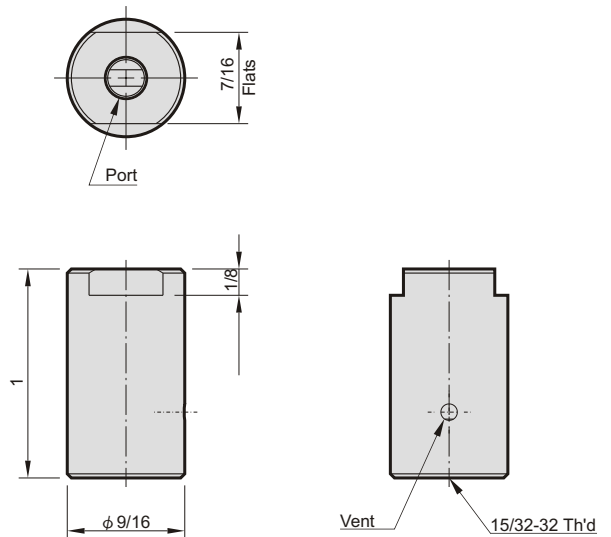


Specification

Model	MVHF-AP3, MVHF-AP6A
Type	single action, spring return miniature air pilot actuator.
Input pressure	150 psig max
Construction	Body: aluminum alloy
	Springs: stainless steel
	Seals: buna N rubber
	Piston: aluminum
Force factor	.1
Temperature range	32°F~230°F
Ports	MVHF-AP3 → 10-32
	MVHF-AP6A → G1/8
Mounting	15/32-32 female thread to mount to miniature valves and components
Weight	22 g

Minimum pressure required MPa (PSIG)			
MVHF-3P-NC	0.21(30)	MVHF-3P-NO	0.21(30)
MVHF-5P	0.29(41)		

※Port thread NPT. are also available.



mindman