

# MVMA-260 series

MECHANICAL VALVES



mindman



## Specification

Model	MVMA-260-4R1
Bore No.	8A
Port size	Rc1/4
No. of port	5
Operating pressure range	0~0.7 MPa
Proof pressure	1.05 MPa
Effective orifice	18 mm <sup>2</sup>
Ambient temperature	-5~+60°C (No freezing)
Weight	178 g

## Order example

MVMA - 260 - 4R1 - G

MODEL

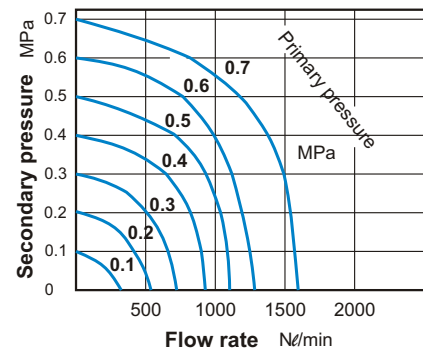
BODY WIDTH

4: 4way

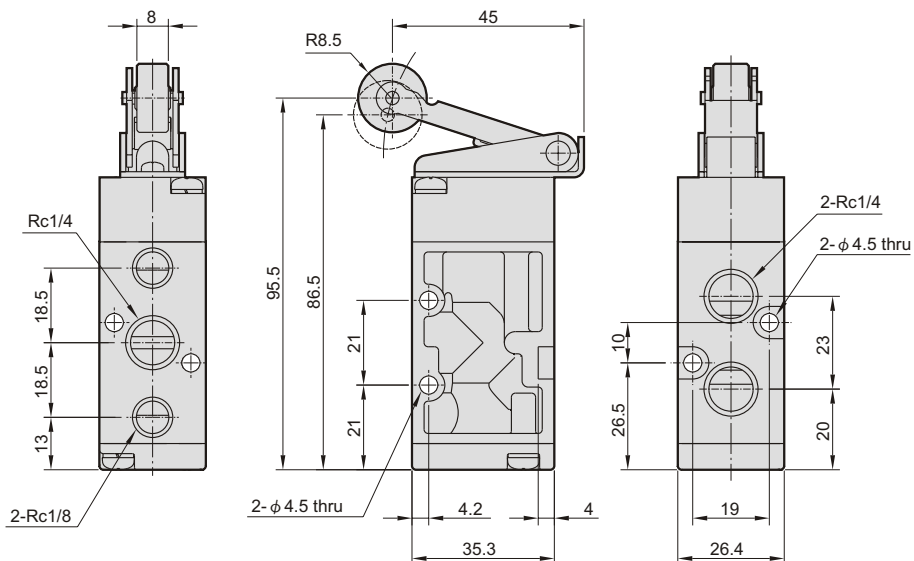
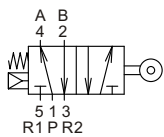
ROLLER LEVER

PORT THREAD  
Blank: Rc thread  
G: G thread  
NPT: NPT thread

## Flow features



## Dimensions



mindman