

MVMA-300 series

MECHANICAL VALVES



mindman



Specification

Model	MVMA-300-4R1
Bore No.	10A
Port size	Rc3/8
No. of port	5
Operating pressure range	0~0.7 MPa
Proof pressure	1.05 MPa
Effective orifice	35 mm ²
Ambient temperature	-5~+60°C (No freezing)
Weight	260 g

Order example

MVMA - 300 - 4R1 - G

MODEL

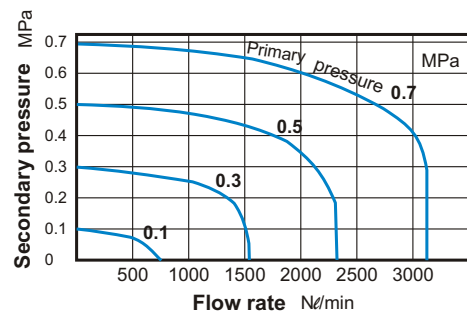
BODY WIDTH

4: 4way

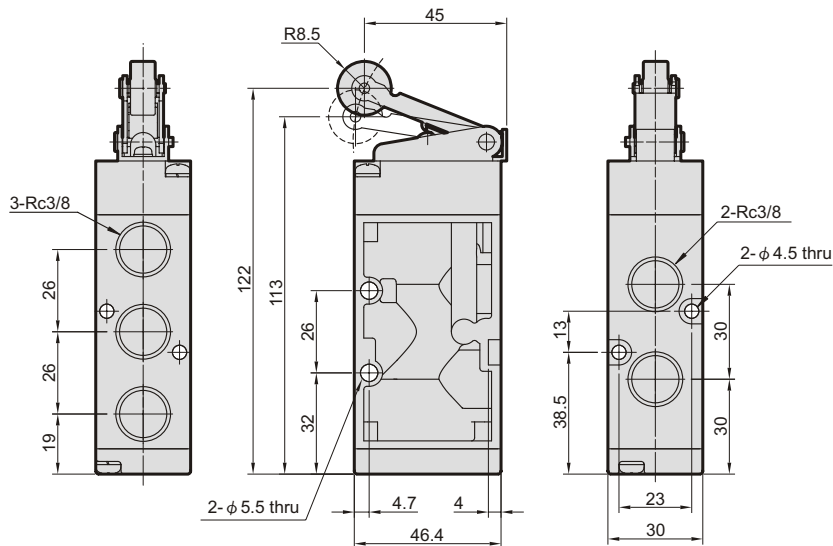
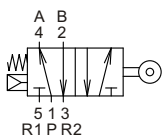
ROLLER LEVER

PORT THREAD
Blank: Rc thread
G: G thread
NPT: NPT thread

Flow features



Dimensions



mindman