

MVMB-220-3** series

MECHANICAL VALVES



(Fig. 1)

Specification

Model	MVMB-220-3**
Bore No.	8A
Port size	Rc1/4
No. of port	3
No. of position	2
Medium	Air
Operating pressure range	0.15~0.8 MPa
Proof pressure	1 MPa
Effective orifice	18 mm ²
Ambient temperature	-5~+60°C (No freezing)
Weight	210 g

actuator-holder (Fig. 2)



- Type $\phi 22$ only show body and actuator-holder in Fig. 2.
- Type $\phi 25$, $\phi 30$ fix bracket in Fig. 1.
- Type $\phi 22$ actuator set or released by one-action.
- Type $\phi 25$, $\phi 30$ Actuator set or released by screwdriver.

Order example

MVMB — 220 — 3EB — 25R — G

MODEL

BODY WIDTH

BUTTON SIZE

22: $\phi 22$
25: $\phi 25$
30: $\phi 30$

PUSH BUTTON COLOR

PORT THREAD

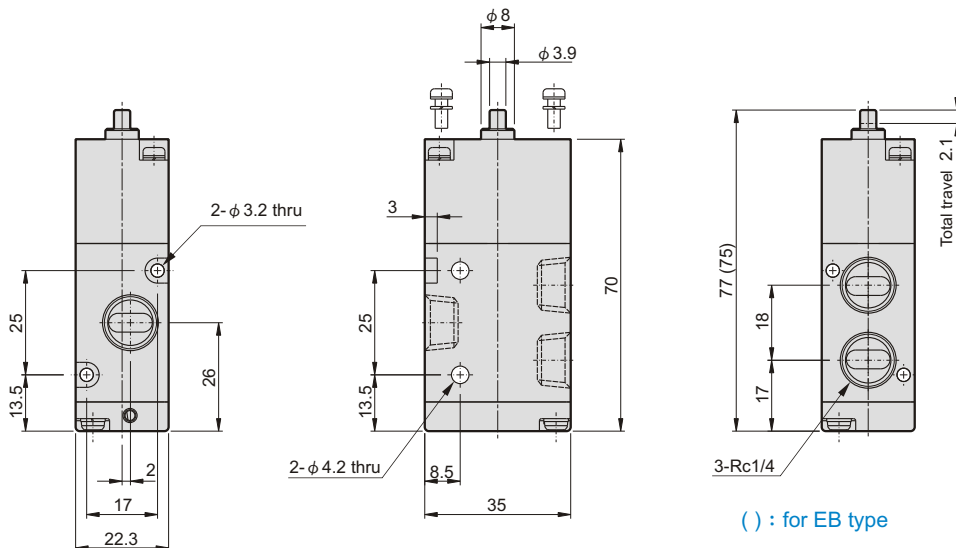
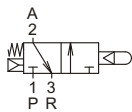
Blank: Rc thread
G: G thread
NPT: NPT thread

3way

B1: body (without button)
EB: latching palm button
LB: extended twist button
TB: twist button
PB: mushroom palm button
PP: push button

Type	Color
B1 type	—
EB type	G: Green
	R: Red
LB type TB type	B: Black
PB type PP type	B: Black
	G: Green
	R: Red

MVMB-220-3B1



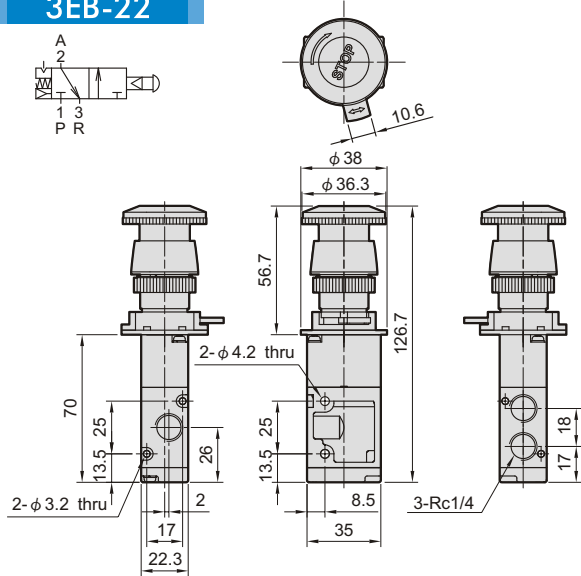
Mindman

MVMB-220-3** Dimensions

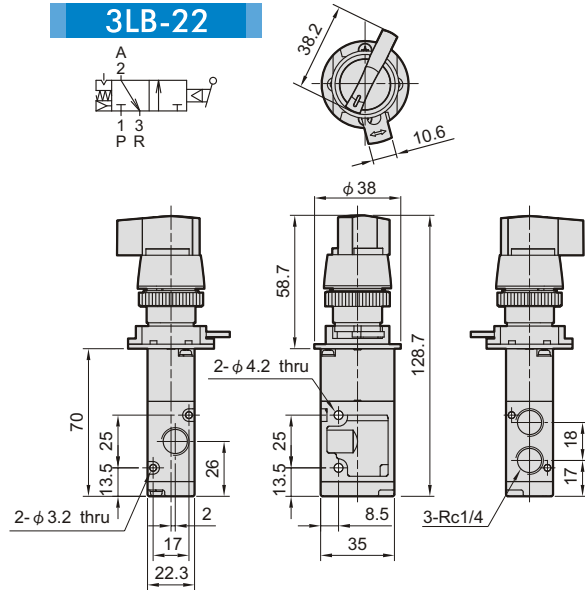
MECHANICAL VALVES



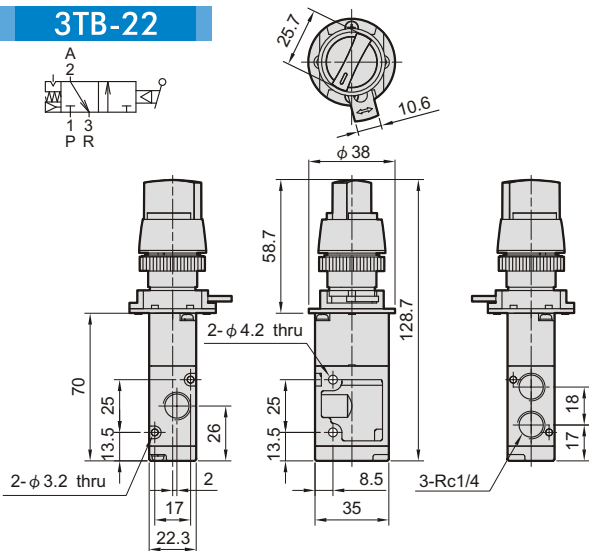
3EB-22



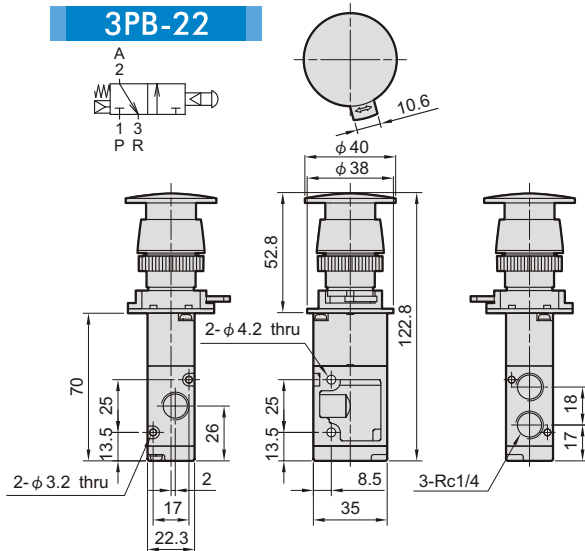
3LB-22



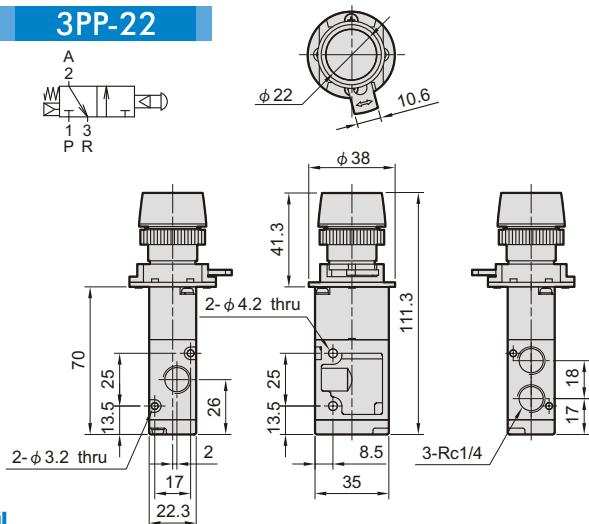
3TB-22



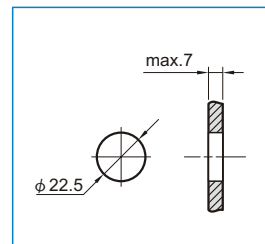
3PB-22



3PP-22



Panel mounting hole

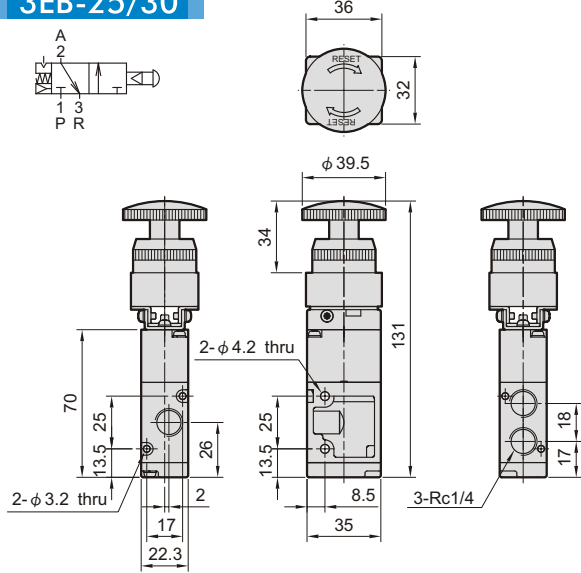


MVMB-220-3** Dimensions

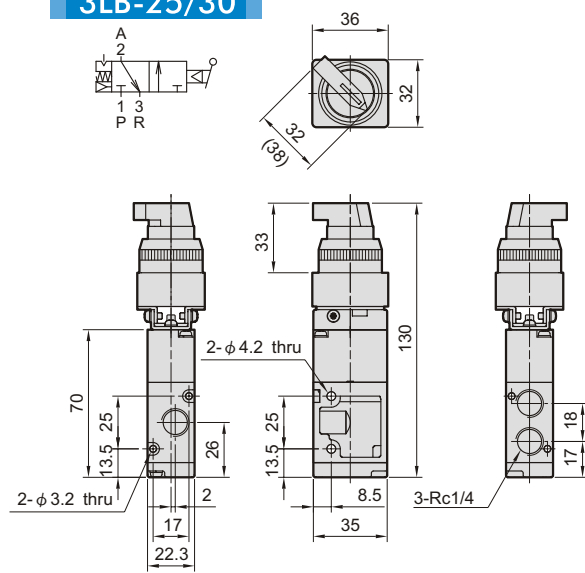
MECHANICAL VALVES



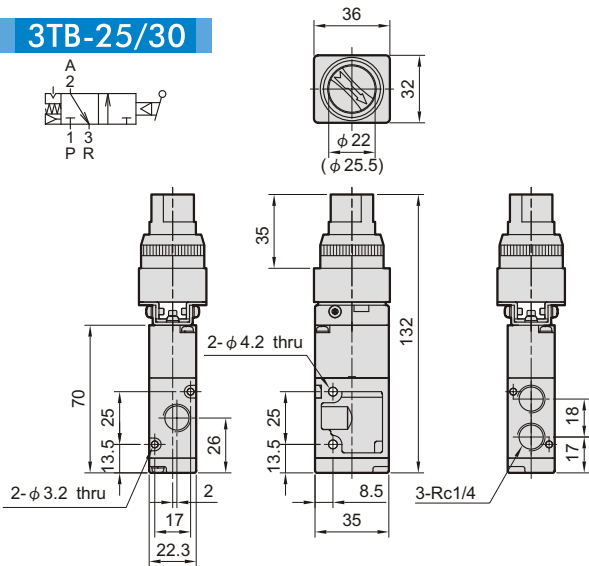
3EB-25/30



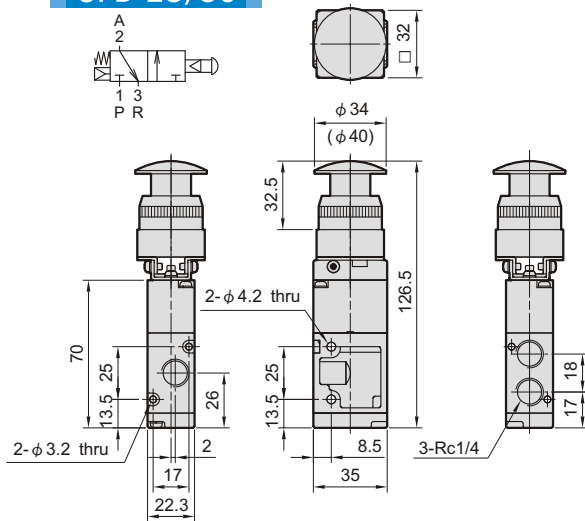
3LB-25/30



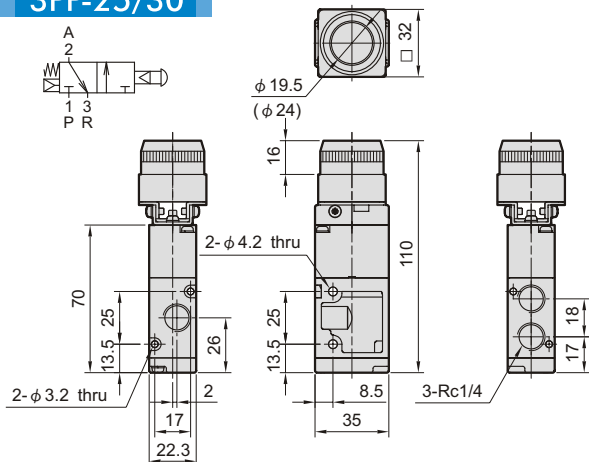
3TB-25/30



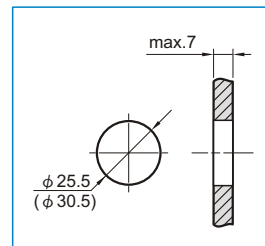
3PB-25/30



3PP-25/30



Panel mounting hole



() : Dimension for button size $\phi 30$.

