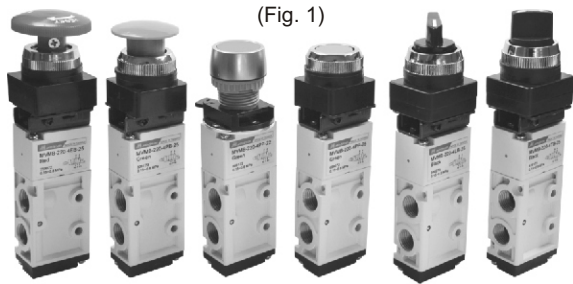


MVMB-220-4** series

MECHANICAL VALVES



mindman



(Fig. 1)

Specification

Model	MVMB-220-4**
Bore No.	8A
Port size	Rc1/4
No. of port	5
No. of position	2
Medium	Air
Operating pressure range	0.15~0.8 MPa
Proof pressure	1 MPa
Effective orifice	18 mm ²
Ambient temperature	-5~+60°C (No freezing)
Weight	180 g

actuator-holder



(Fig. 2)

- Type $\phi 22$ only show body and actuator-holder in Fig. 2.
- Type $\phi 25$, $\phi 30$ fix bracket in Fig. 1.
- Type $\phi 22$ actuator set or released by one-action.
- Type $\phi 25$, $\phi 30$ Actuator set or released by screwdriver.

Order example

MVMB - 220 - 4EB - 25R - G

MODEL

BODY WIDTH

BUTTON SIZE

BUTTON COLOR

PORT THREAD

4way

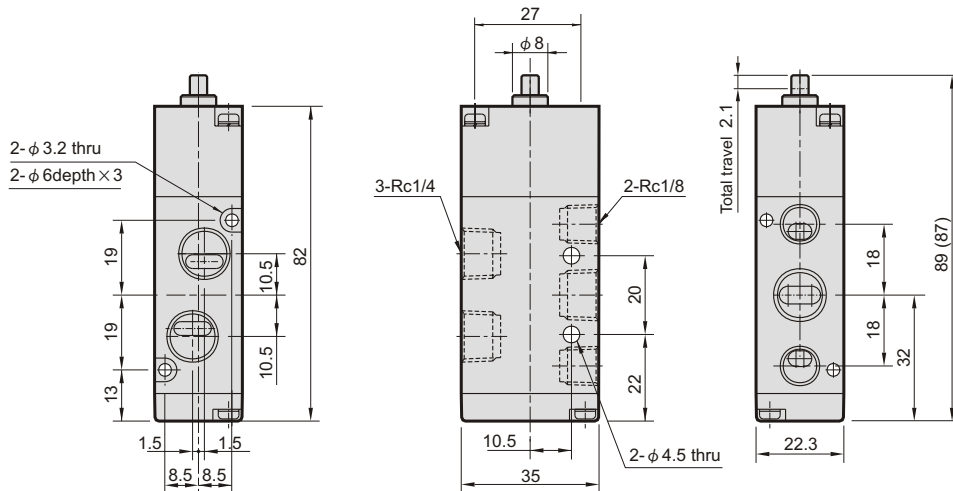
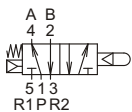
B1: body (without button)
 EB: latching palm button
 LB: extended twist button
 TB: twist button
 PB: mushroom palm button
 PP: push button

22: $\phi 22$
 25: $\phi 25$
 30: $\phi 30$

Type	Color
B1 type	—
EB type	G : Green
	R : Red
LB type	B : Black
	TB type
PB type	B : Black
	PP type
	R : Red

Blank: Rc thread
 G: G thread
 NPT: NPT thread

MVMB-220-4B1



() for EB type



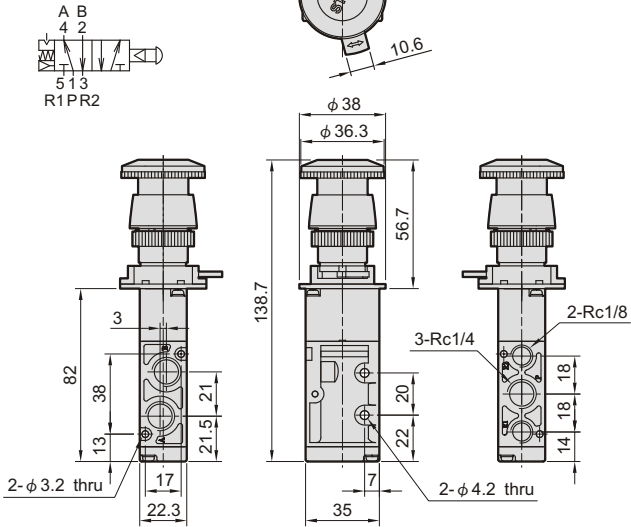
mindman

MVMB-220-4** Dimensions

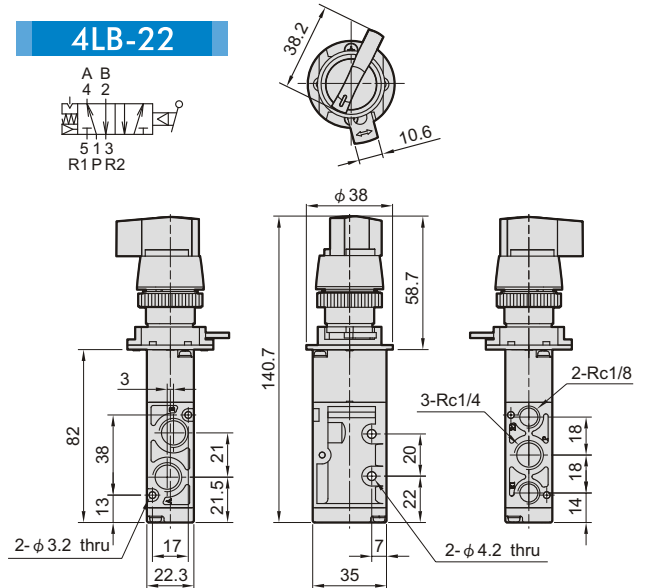
MECHANICAL VALVES



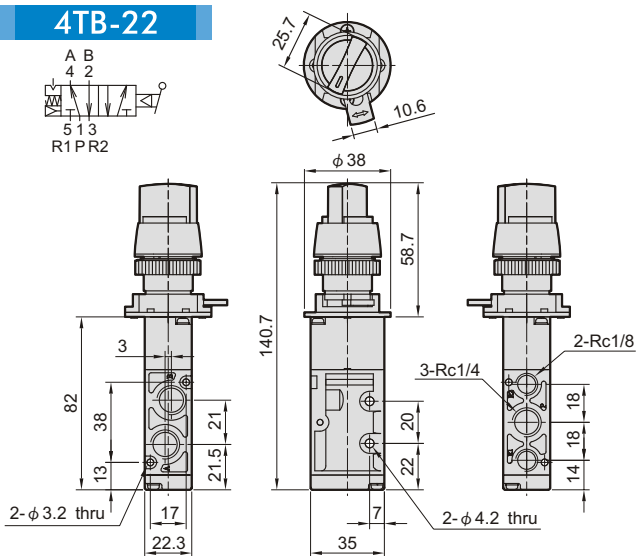
4EB-22



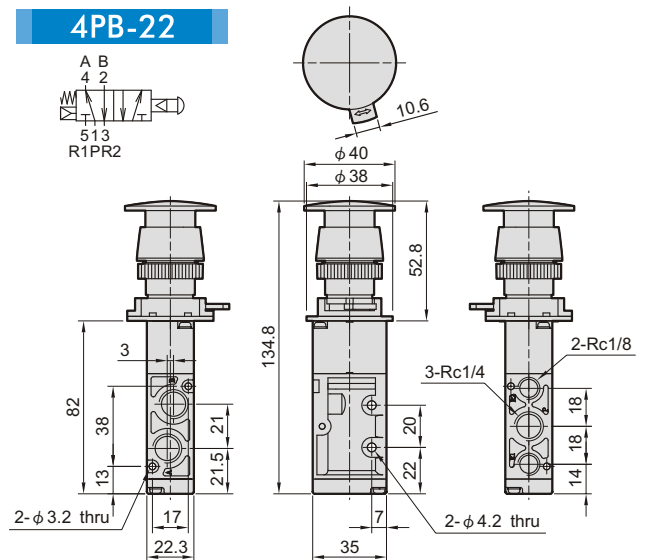
4LB-22



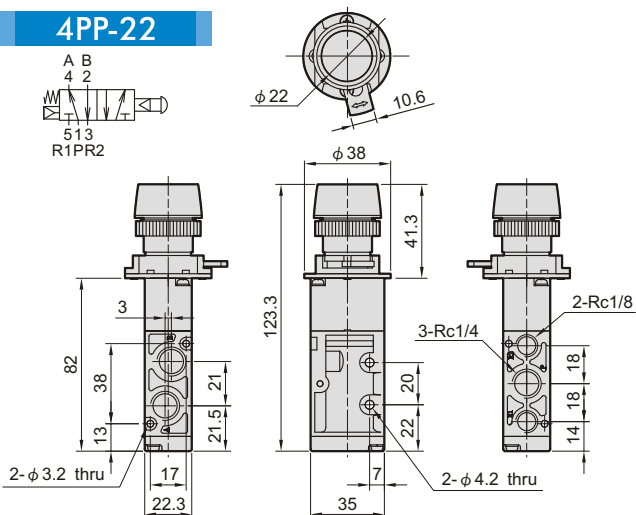
4TB-22



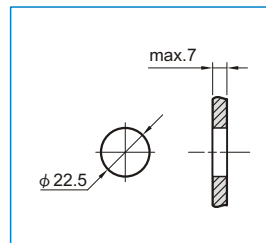
4PB-22



4PP-22



Panel mounting hole

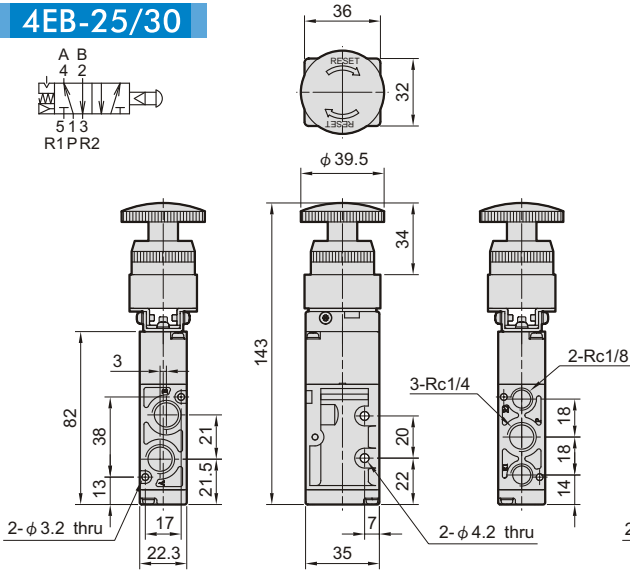


MVMB-220-4** Dimensions

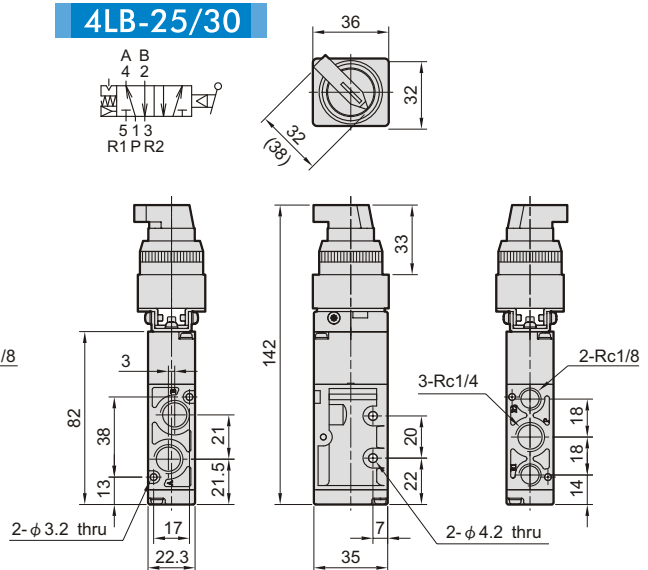
MECHANICAL VALVES



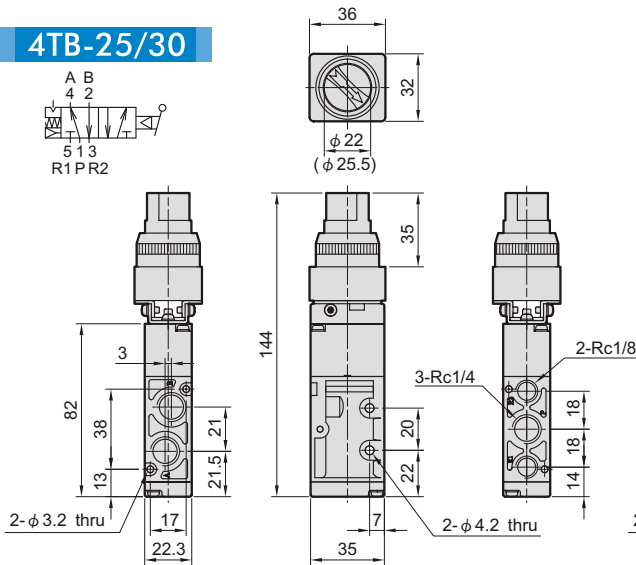
4EB-25/30



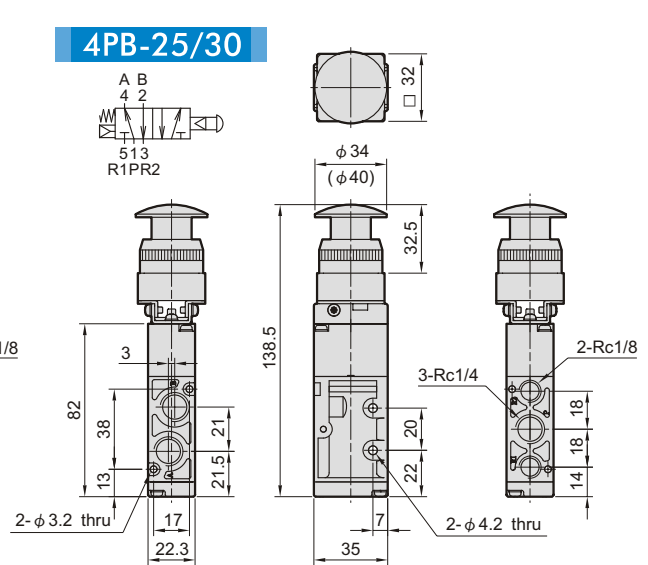
4LB-25/30



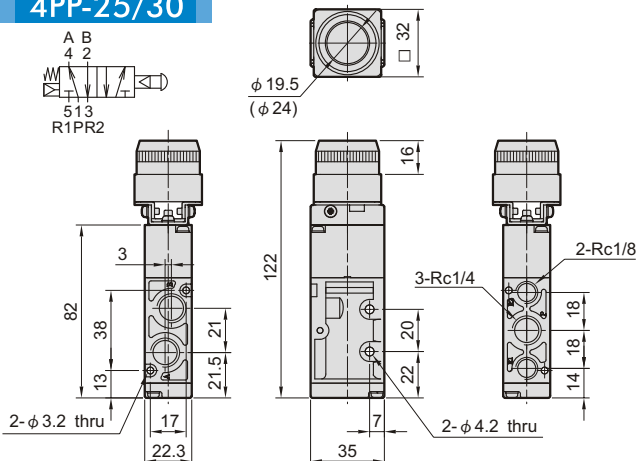
4TB-25/30



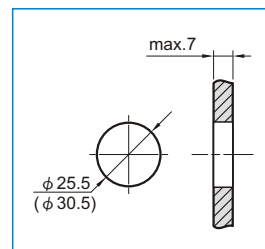
4PB-25/30



4PP-25/30



Panel mounting hole



() : Dimension for button size $\phi 30$.

