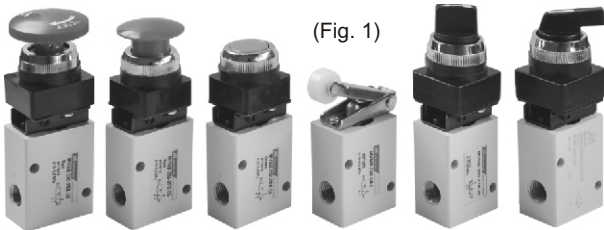


MVMB-250 series

MECHANICAL VALVES



mindman



(Fig. 1)

Specification

Model	MVMB-250
Bore No.	8A
Port size	Rc1/4
No. of port	2 or 3
No. of position	2
Medium	Air
Operating pressure range	0~1 MPa
Proof pressure	1 MPa
Effective orifice	18 mm ²
Ambient temperature	-5~+60°C (No freezing)
Weight	193 g

actuator-holder (Fig. 2)



- Type $\phi 22$ only show body and actuator-holder in Fig. 2.
- Type $\phi 25$, $\phi 30$ fix bracket in Fig. 1.
- Type $\phi 22$ actuator set or released by one-action.
- Type $\phi 25$, $\phi 30$ Actuator set or released by screwdriver.

Order example

MVMB - 250 - 3PB - 25B - G

MODEL

BODY WIDTH

BUTTON SIZE

BUTTON COLOR

PORT THREAD

2: 2way
3: 3way

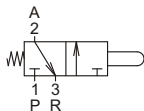
B1: body(without button)
R1: roller lever
EB: latching palm button
LB: extended twist button
TB: twist button
PB: mushroom palm button
PP: push button

22: $\phi 22$
25: $\phi 25$
30: $\phi 30$

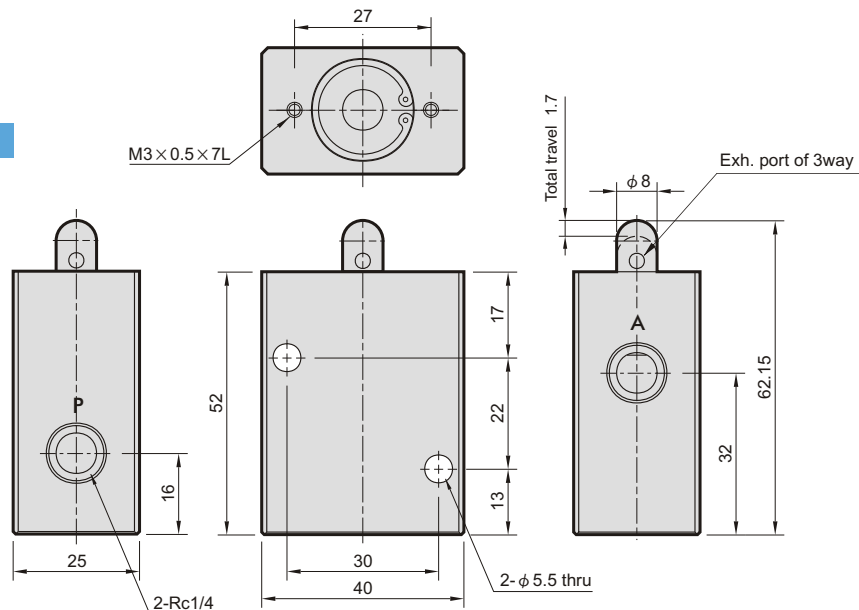
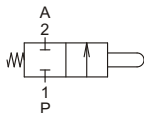
Type	Color
B1 type R1 type	—
EB type	G : Green R : Red
LB type TB type	B : Black
PB type PP type	B : Black G : Green R : Red

Blank: Rc thread
G: G thread
NPT: NPT thread

MVMB-250-3B1



MVMB-250-2B1



() : for EB type



mindman

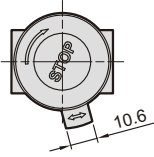
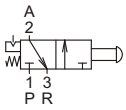
MVMB-250 Dimensions

MECHANICAL VALVES

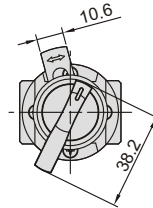
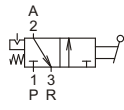


mindman

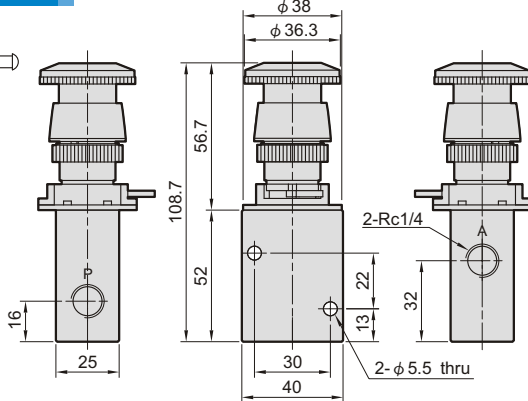
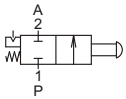
3EB-22



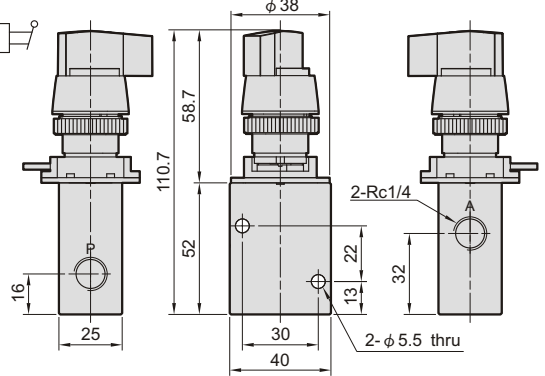
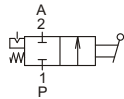
3LB-22



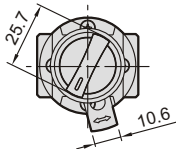
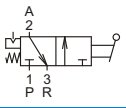
2EB-22



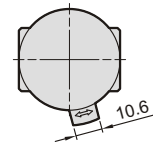
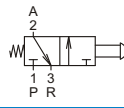
2LB-22



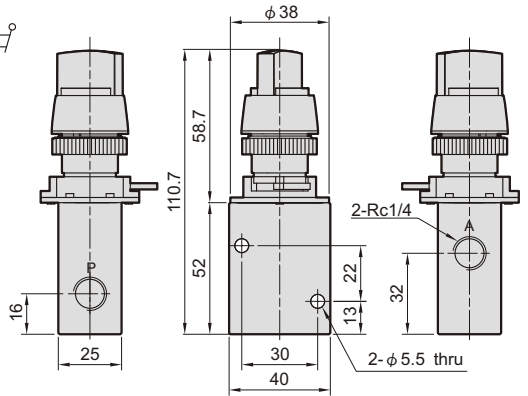
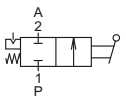
3TB-22



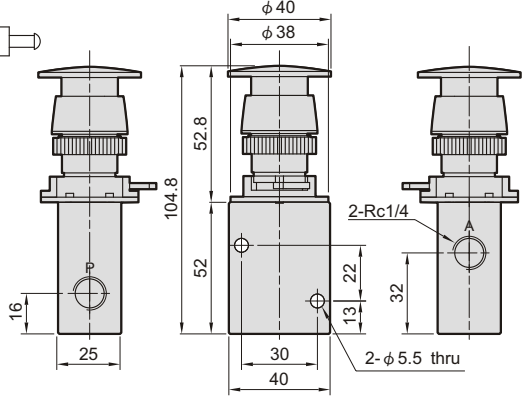
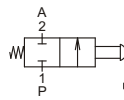
3PB-22



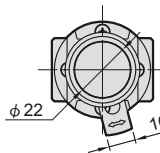
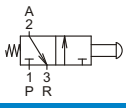
2TB-22



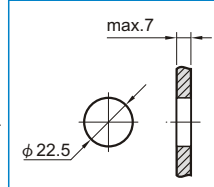
2PB-22



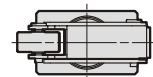
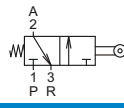
3PP-22



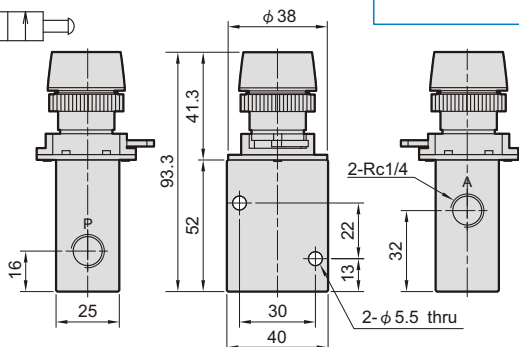
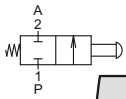
Panel mounting hole



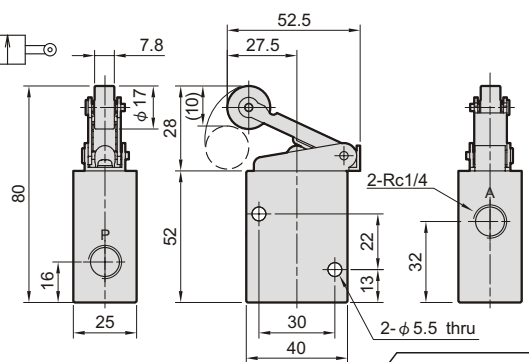
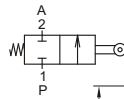
3R1



2PP-22



2R1



mindman

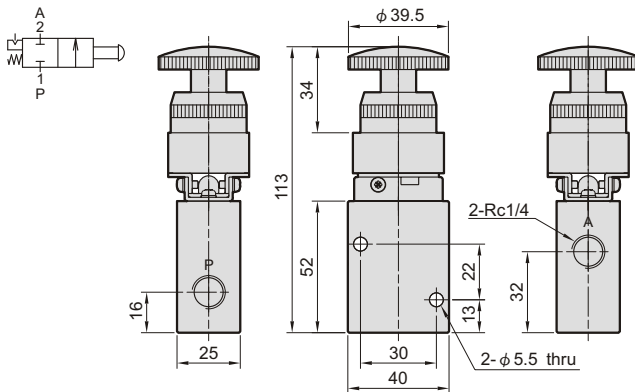
MVMB-250 Dimensions

MECHANICAL VALVES

3EB-25/30



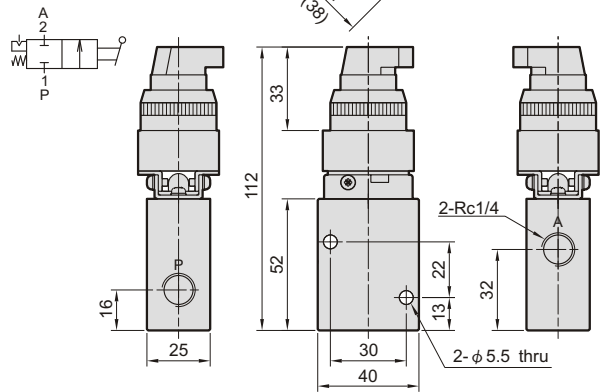
2EB-25/30



3LB-25/30



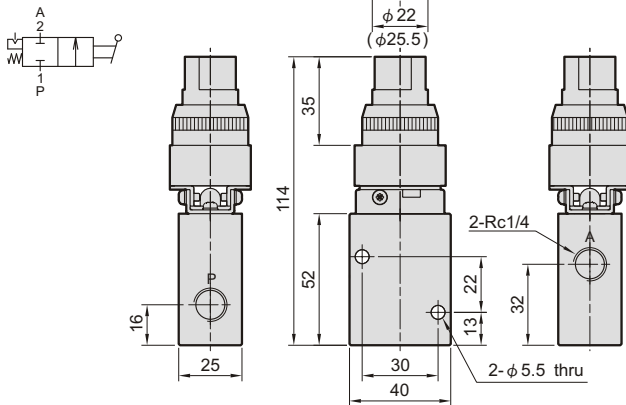
2LB-25/30



3TB-25/30



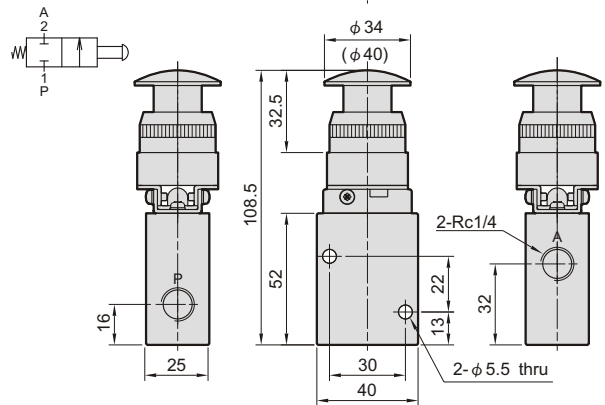
2TB-25/30



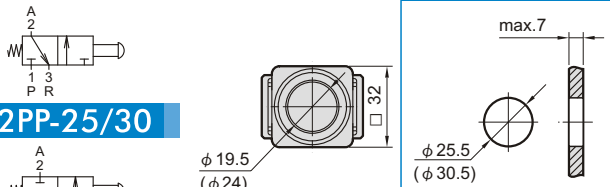
3PB-25/30



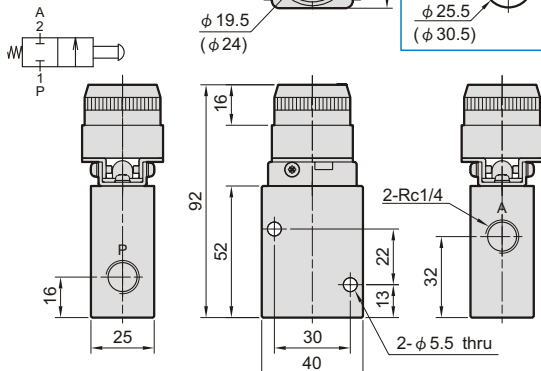
2PB-25/30



3PP-25/30



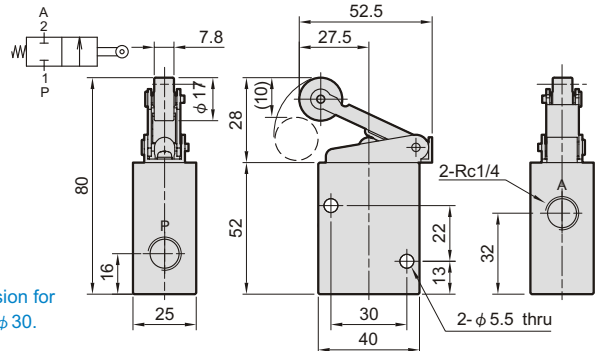
2PP-25/30



3R1



2R1



() : Dimension for button size $\phi 30$.