

MVMB-300-4** series

MECHANICAL VALVES



(Fig. 1)

Specification

Model	MVMB-300-4**
Bore No.	10A
Port size	Rc3/8
No. of port	5
No. of position	2
Medium	Air
Operating pressure range	0.15~0.8 MPa
Proof pressure	1 MPa
Effective orifice	30 mm ²
Ambient temperature	-5~+60°C (No freezing)
Weight	315 g

actuator-holder



(Fig. 2)

- Type $\phi 22$ only show body and actuator-holder in Fig. 2.
- Type $\phi 25$, $\phi 30$ fix bracket in Fig. 1.
- Type $\phi 22$ actuator set or released by one-action.
- Type $\phi 25$, $\phi 30$ Actuator set or released by screwdriver.

Order example

MVMB - 300 - 4EB - 25R - G

MODEL

BODY WIDTH

BUTTON SIZE

BUTTON COLOR

PORT THREAD

4way

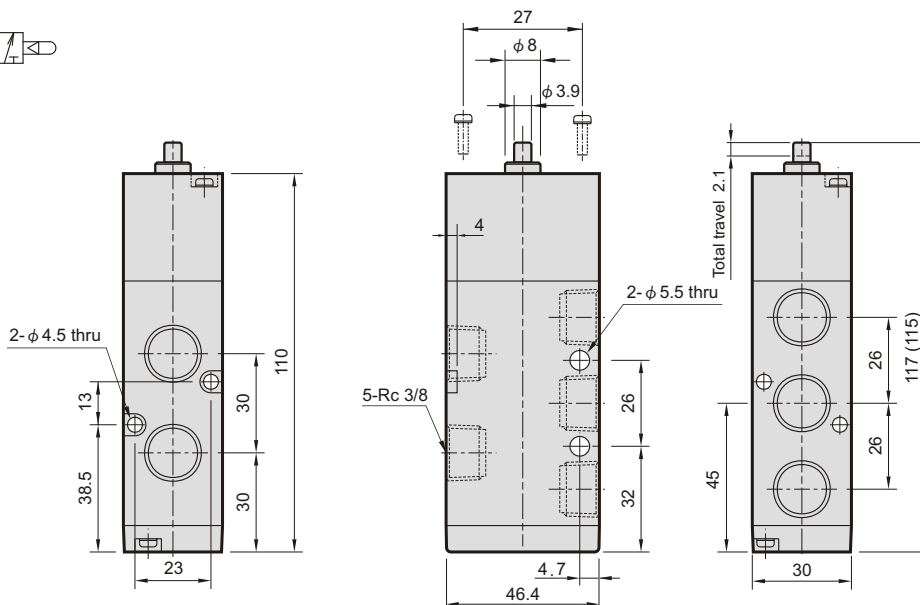
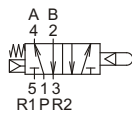
B1: body (without button)
EB: latching palm button
LB: extended twist button
TB: twist button
PB: mushroom palm button
PP: push button

22: $\phi 22$
25: $\phi 25$
30: $\phi 30$

Type	Color
B1 type	—
EB type	G : Green
	R : Red
LB type	B : Black
PB type	B : Black
PP type	G : Green
	R : Red

Blank: Rc thread
G: G thread
NPT: NPT thread

MVMB-300-4B1



() for EB type

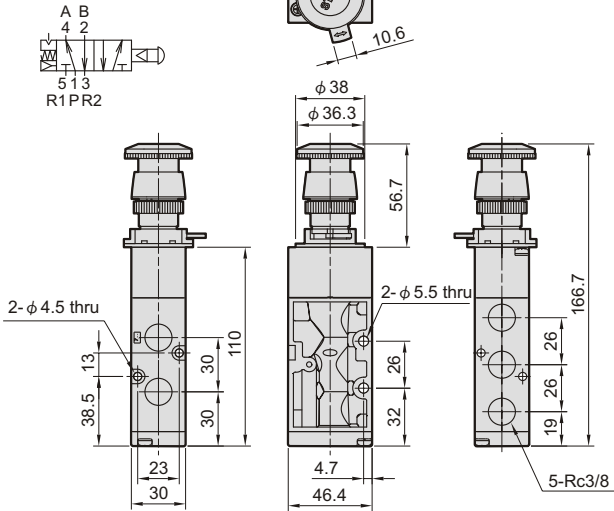


MVMB-300-4** Dimensions

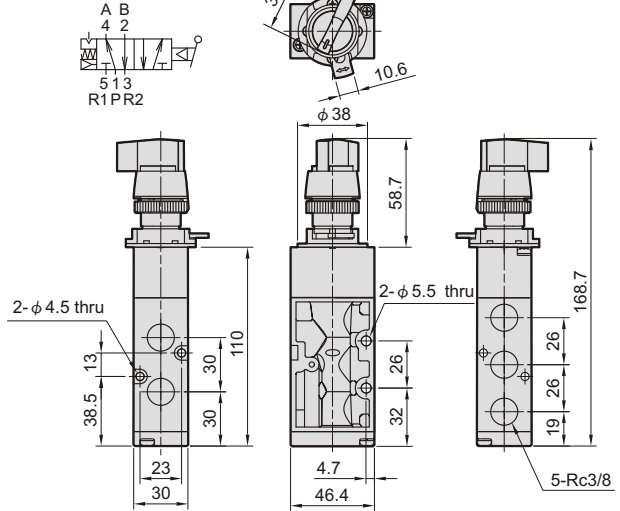
MECHANICAL VALVES



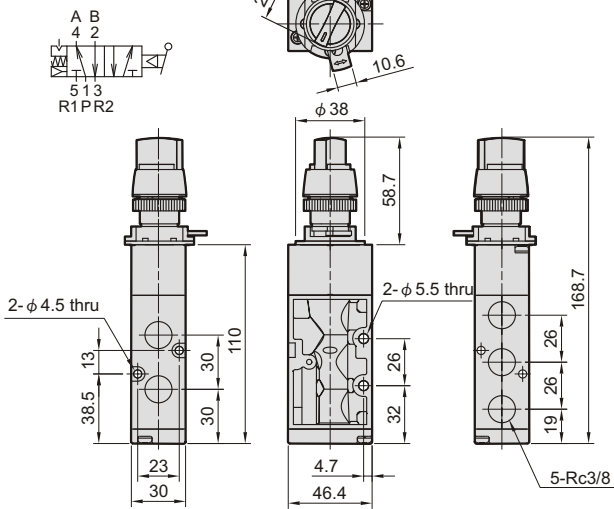
4EB-22



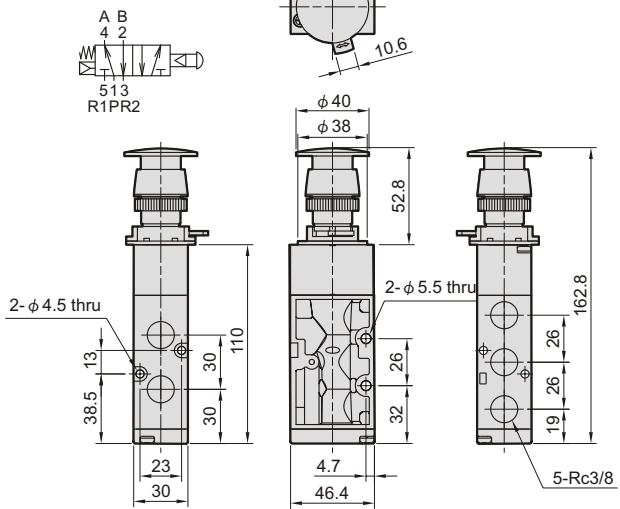
4LB-22



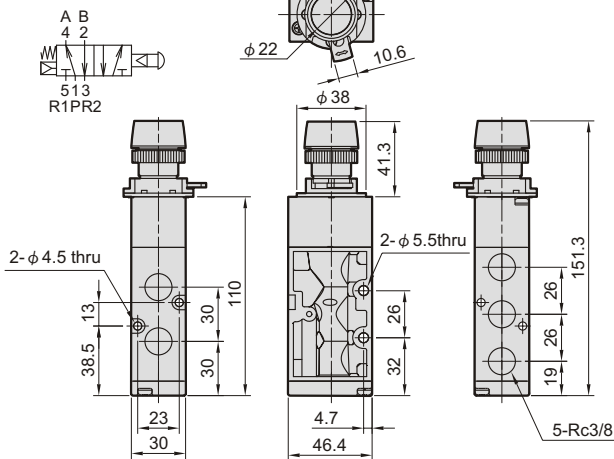
4TB-22



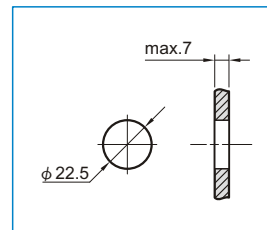
4PB-22



4PP-22



Panel mounting hole

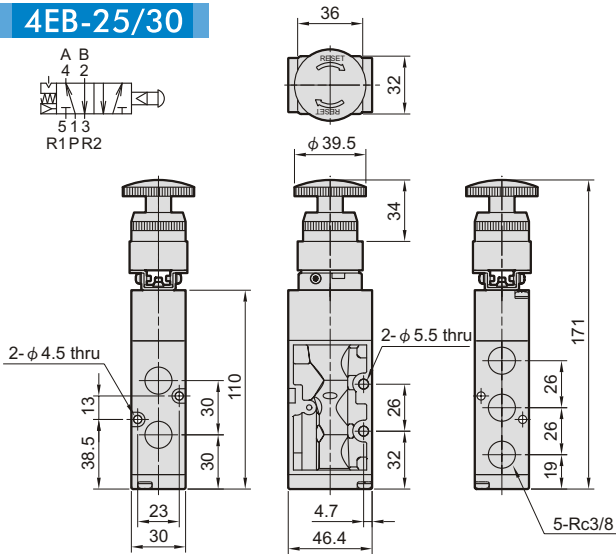


MVMB-300-4** Dimensions

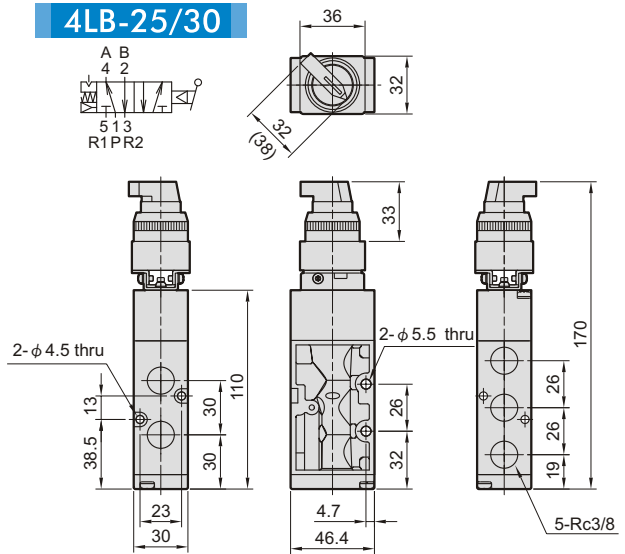
MECHANICAL VALVES



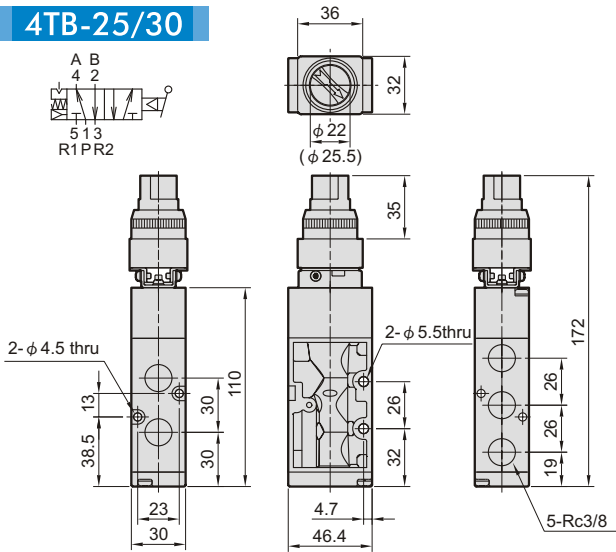
4EB-25/30



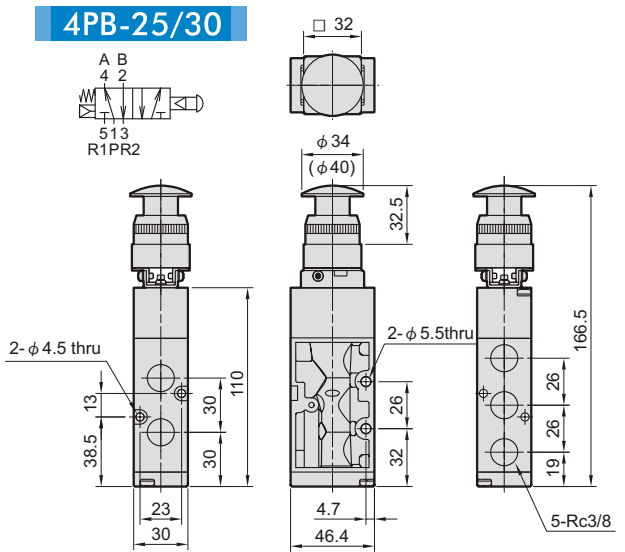
4LB-25/30



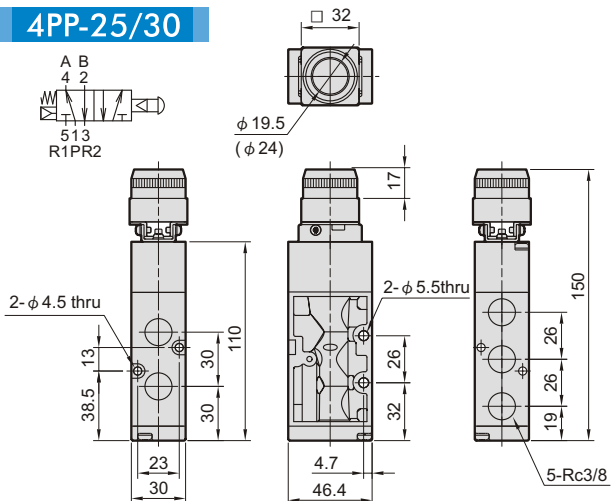
4TB-25/30



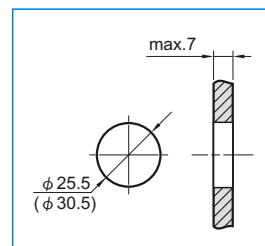
4PB-25/30



4PP-25/30



Panel mounting hole



() : Dimension for button size φ 30.

