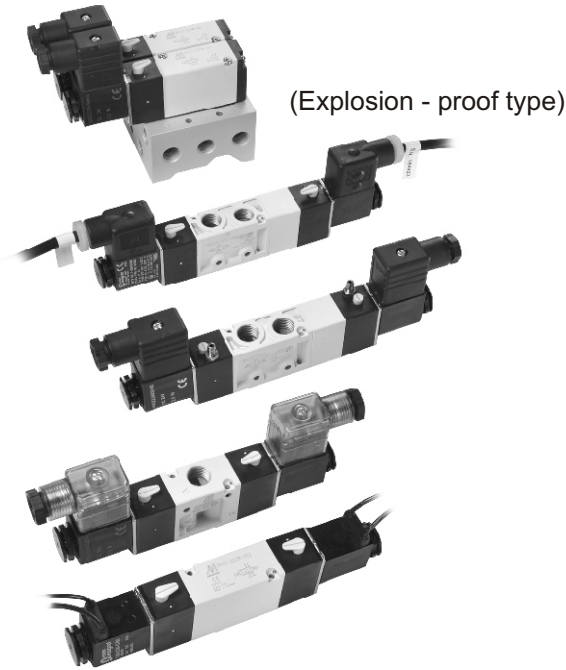


# MVSC-220 series

## SOLENOID VALVE



mindman



### Specification

| Model                        | 3E1                           | 3E2   | 4E1          | 4E2                | 4E2C.P.R |
|------------------------------|-------------------------------|-------|--------------|--------------------|----------|
| Bore No.                     | 8A                            |       | 6A, 8A       |                    |          |
| Port size                    | Rc1/4                         |       | Rc1/8, Rc1/4 |                    |          |
| No. of port                  | 3                             |       | 5            |                    |          |
| No. of position              | 2                             |       | 2            |                    | 3        |
| Medium                       | Air                           |       |              |                    |          |
| Operating pressure range     | 0.2~0.7 MPa                   |       |              | 0.3~0.7 MPa        |          |
| Operating pressure (LP)      | 0~0.7 MPa                     |       |              |                    |          |
| External pilot pressure (LP) | 0.2~0.7 MPa                   |       |              | 0.3~0.7 MPa        |          |
| Proof pressure               | 1 MPa                         |       |              |                    |          |
| Effective orifice            | 18 mm <sup>2</sup>            |       |              | 16 mm <sup>2</sup> |          |
| Response time                | 30 ms                         |       |              | 40 ms              |          |
| Ambient temperature          | -5~+50℃ (No freezing)         |       |              |                    |          |
| Voltage                      | AC110V, 220V (50/60)Hz, DC24V |       |              |                    |          |
| Power consumption            | AC=4.8/4.4VA, 6/4.9VA, DC=2W  |       |              |                    |          |
| Available voltage range      | ±10%                          |       |              |                    |          |
| Insulation class             | F class                       |       |              |                    |          |
| Weight                       | 203 g                         | 296 g | 184 g        | 292 g              | 338 g    |

### Order example of valve

MVSC - 220M - 4E2C - NC - 6A - AC110 - L - LP - G

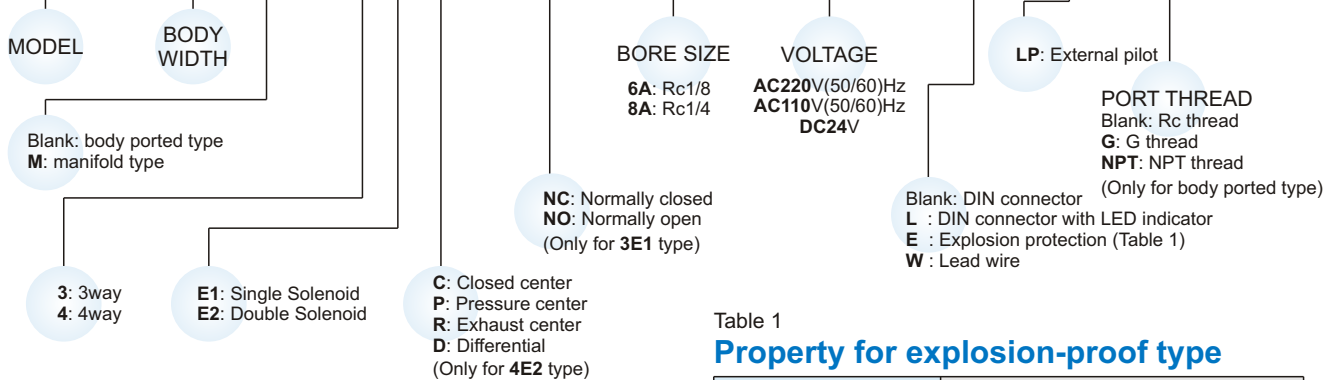


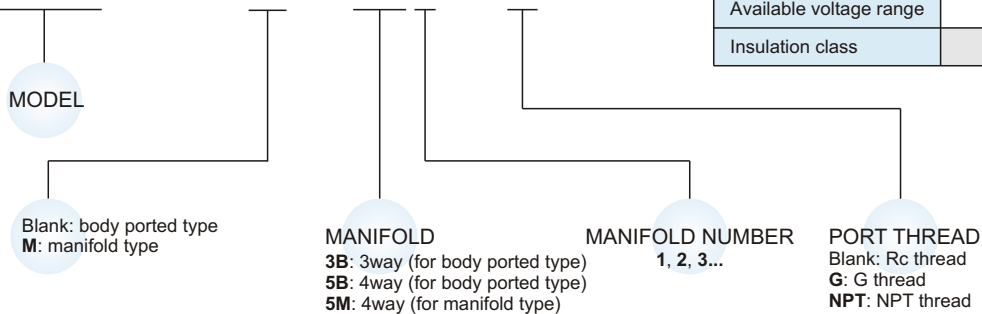
Table 1

### Property for explosion-proof type

|                         |                                 |
|-------------------------|---------------------------------|
| Anti-explosion class    | EEx m II T4                     |
| Voltage                 | AC110V, 220V, (50/60)Hz, DC24V. |
| Power consumption       | AC=4.4VA DC=5W                  |
| Available voltage range | ±10%                            |
| Insulation class        | F class                         |

### Order example of manifold

MVSC - 220M - 5M3 - G



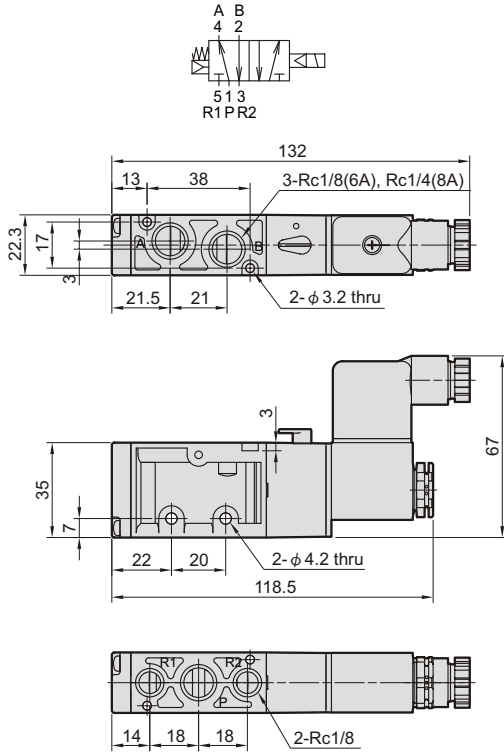
mindman

# MVSC-220 Dimensions

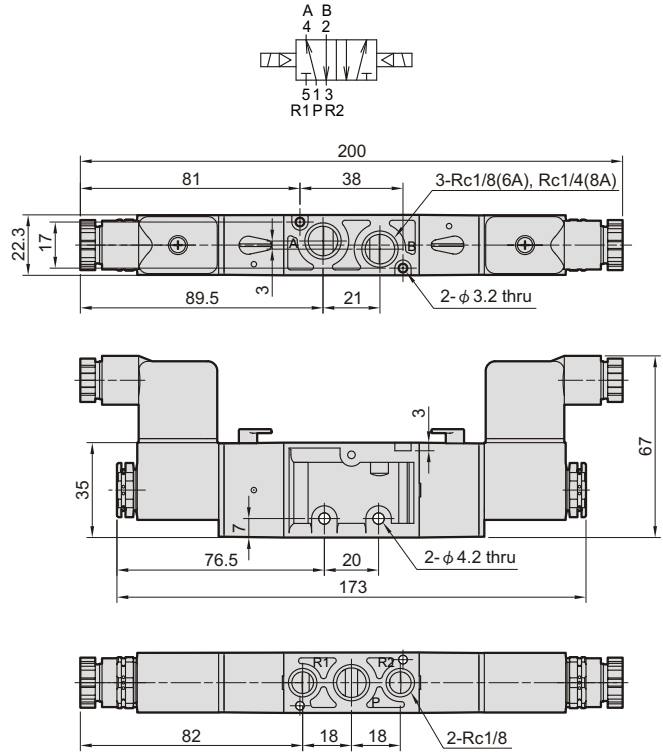
## SOLENOID VALVE



### MVSC-220-4E1



### MVSC-220-4E2

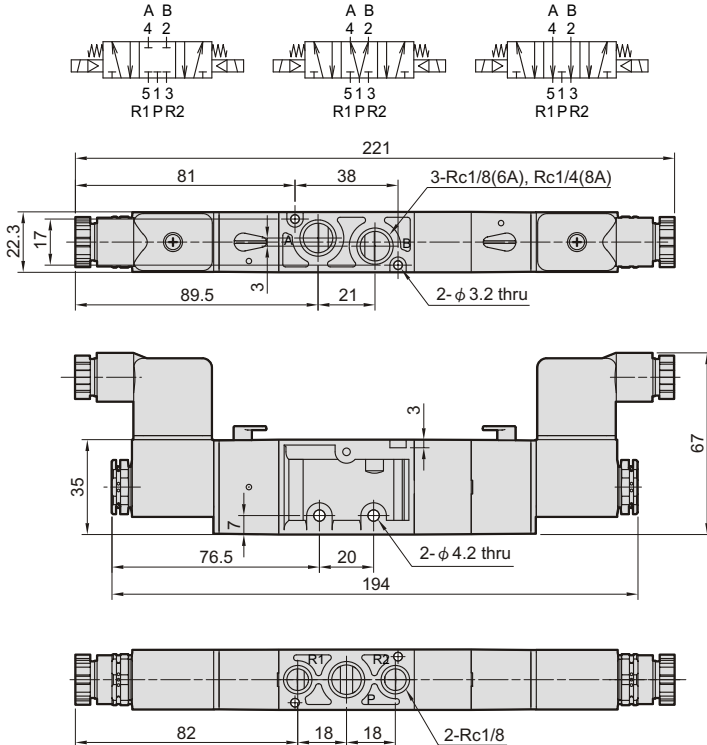


### MVSC-220-4E2C.PR

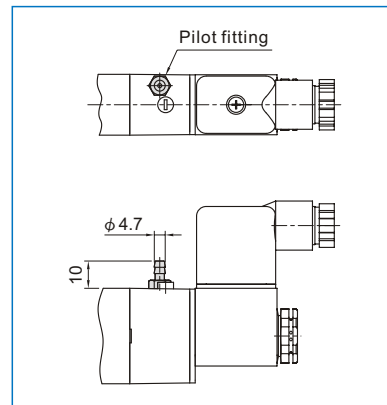
#### MVSC-220-4E2C

#### MVSC-220-4E2P

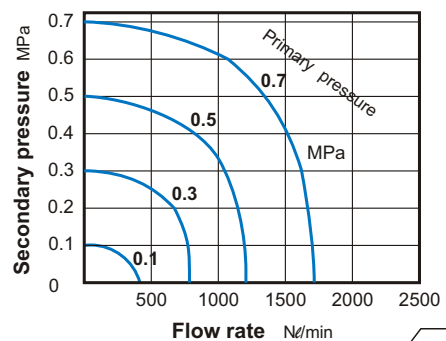
#### MVSC-220-4E2R



### LP



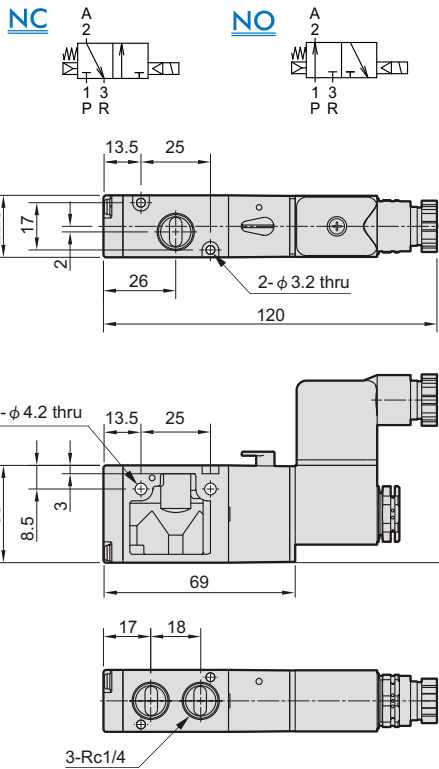
### Flow features:



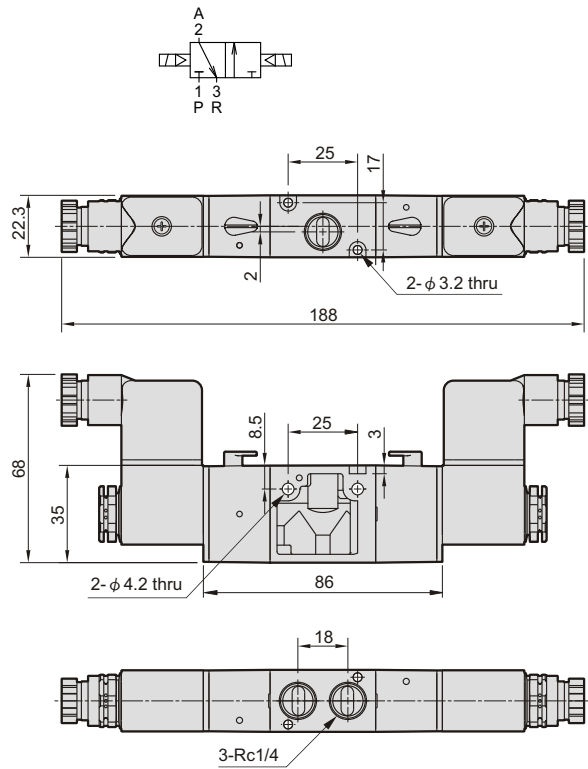
# MVSC-220 Dimensions / Manifold

## SOLENOID VALVE

### MVSC-220-3E1-NC/NO



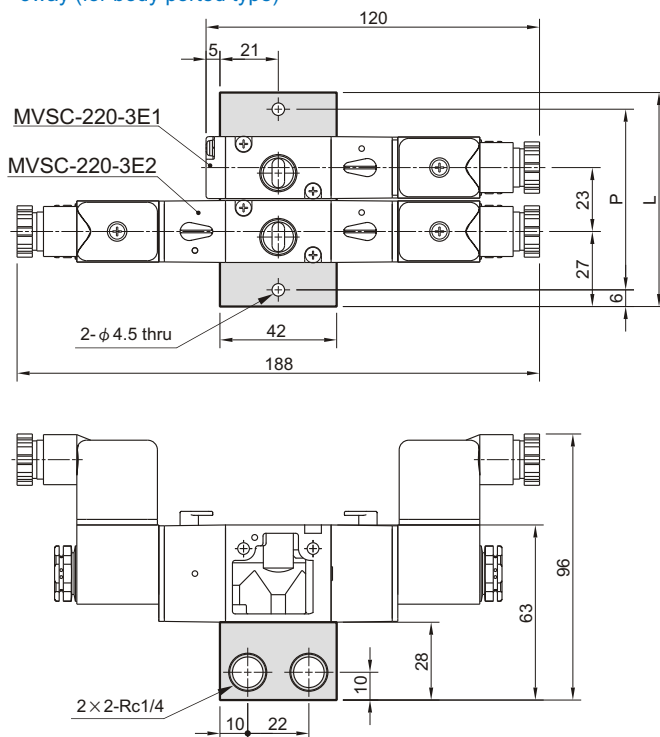
### MVSC-220-3E2



## Manifold of solenoid valve

### MVSC-220-3B\*

3way (for body ported type)



| No. of stations | P   | L   |
|-----------------|-----|-----|
| 2               | 65  | 77  |
| 3               | 88  | 100 |
| 4               | 111 | 123 |
| 5               | 134 | 146 |
| 6               | 157 | 169 |
| 7               | 180 | 192 |
| 8               | 203 | 215 |
| 9               | 226 | 238 |
| 10              | 249 | 261 |



# MVSC-220 Manifold

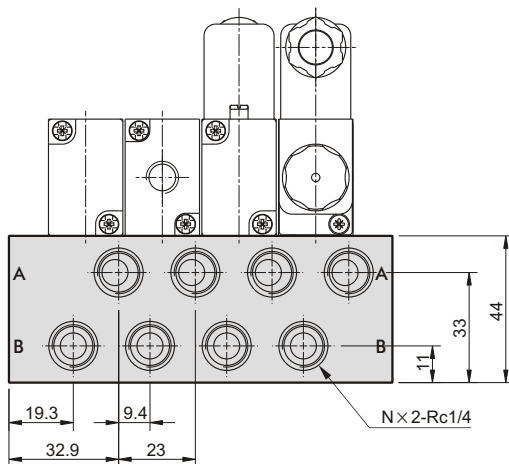
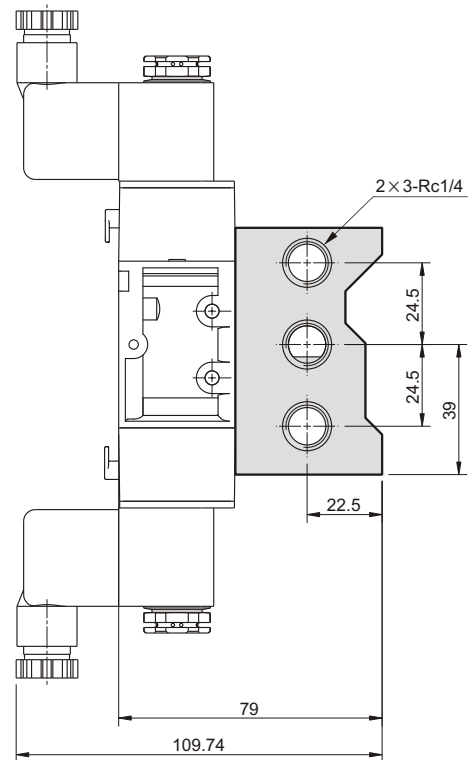
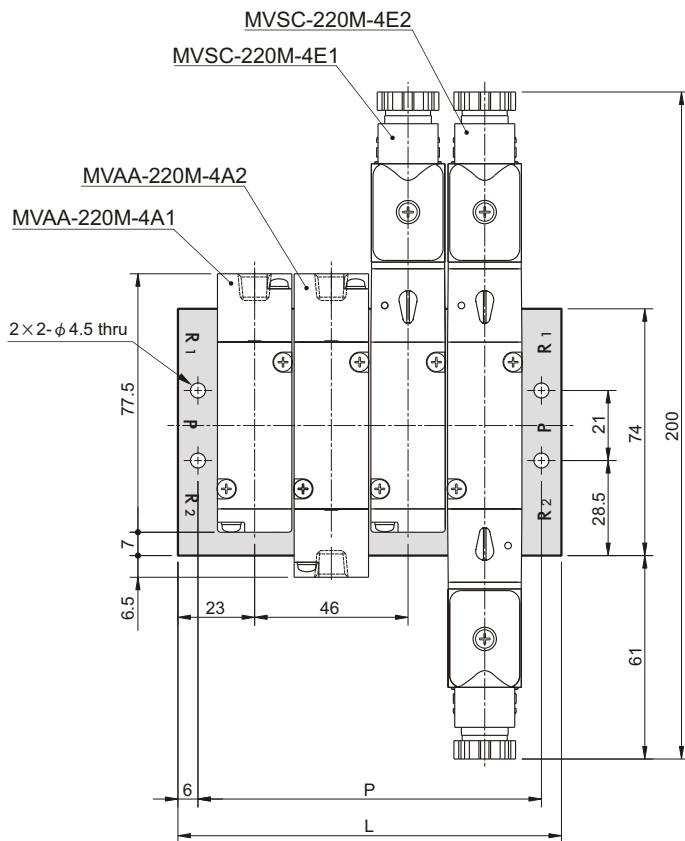
## SOLENOID VALVE



mindman

### MVSC-220M-5M\*

4way (for manifold type)



| No. of stations (N) | P   | L   |
|---------------------|-----|-----|
| 2                   | 57  | 69  |
| 3                   | 80  | 92  |
| 4                   | 103 | 115 |
| 5                   | 126 | 138 |
| 6                   | 149 | 161 |
| 7                   | 172 | 184 |
| 8                   | 195 | 207 |
| 9                   | 218 | 230 |
| 10                  | 241 | 253 |



mindman