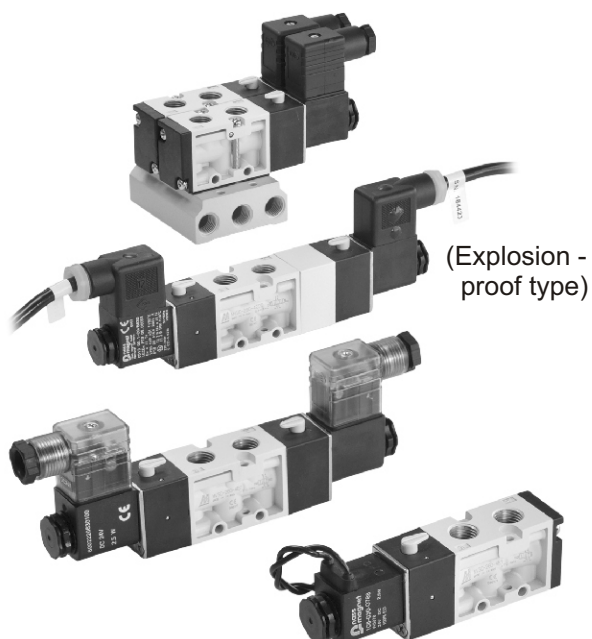


MVSC-260 series

SOLENOID VALVE



Mindman



Specification

Model	4E1	4E2	4E2C.P.R
Bore No.	8A		
Port size	Rc1/4		
No. of port	5		
No. of position	2	3	
Medium	Air		
Operating pressure range	0.2~0.7 MPa	0.3~0.7 MPa	
Operating pressure (LP)	0~7 MPa		
External pilot pressure (LP)	0.2~0.7 MPa	0.3~0.7 MPa	
Proof pressure	1 MPa		
Effective orifice	18 mm ²	16 mm ²	
Response time	40 ms		
Ambient temperature	-5~+50℃ (No freezing)		
Voltage	AC110V, 220V (50/60)Hz, DC24V		
Power consumption	AC=4.8/4.4VA, 6/4.9VA, DC=2W		
Available voltage range	±10%		
Insulation class	F class		
Weight	228 g	314 g	444 g

Order example of valve

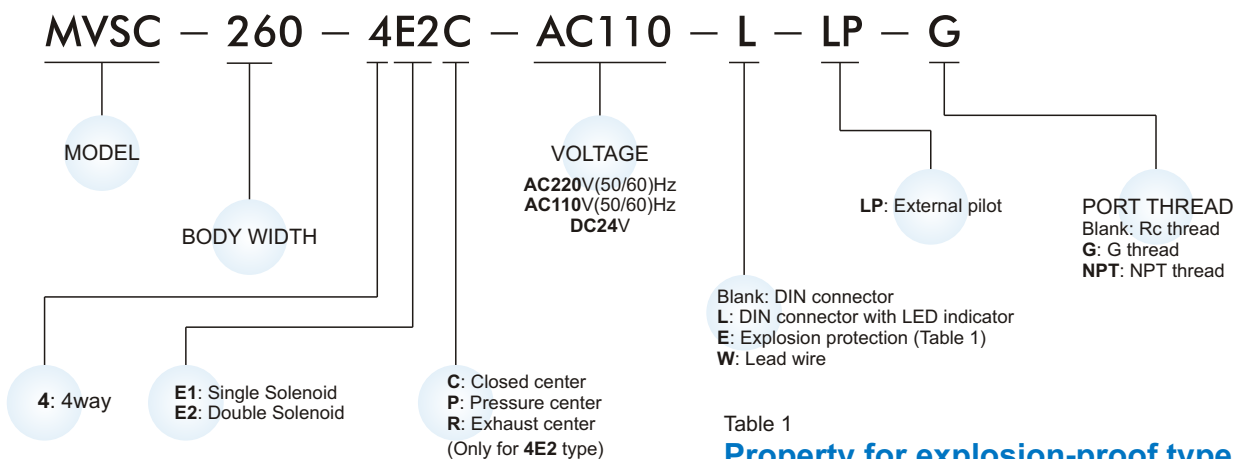
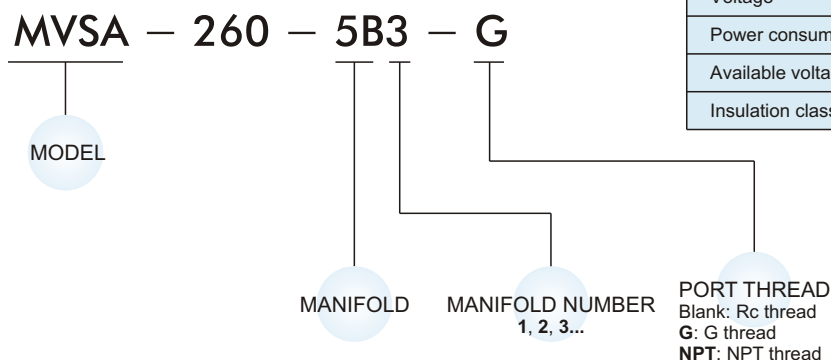


Table 1

Property for explosion-proof type

Anti-explosion class	EEx m II T4
Voltage	AC110V, 220V, (50/60)Hz, DC24V.
Power consumption	AC=4.4VA DC=5W
Available voltage range	±10%
Insulation class	F class

Order example of manifold



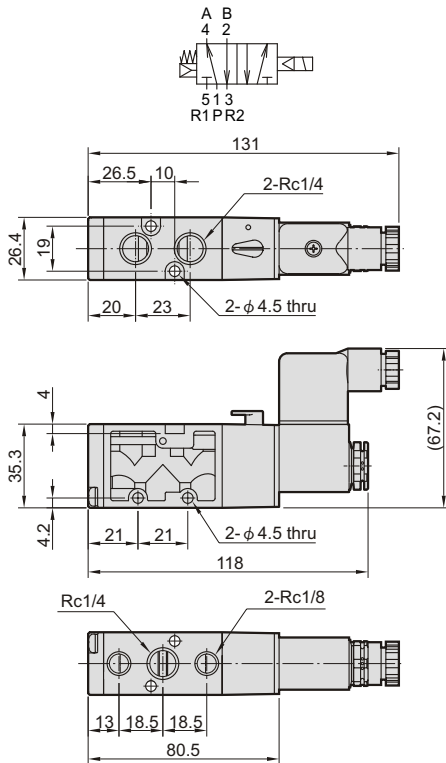
Mindman

MVSC-260 Dimensions

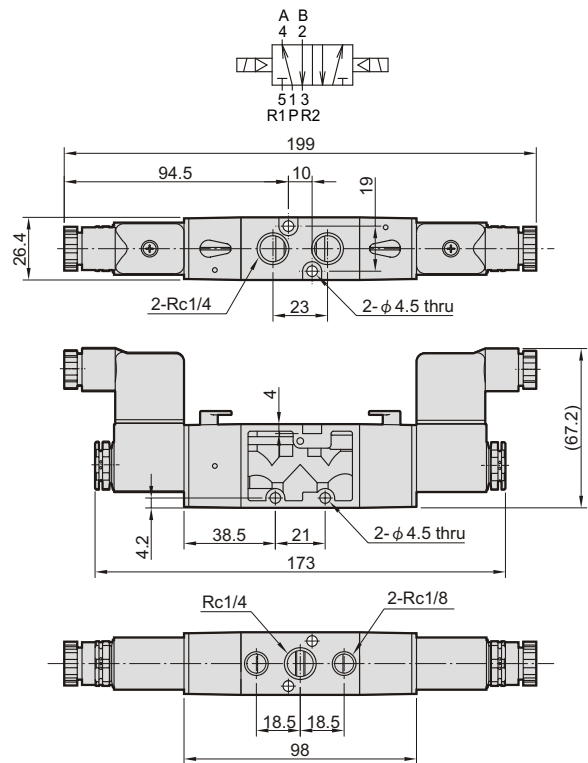
SOLENOID VALVE



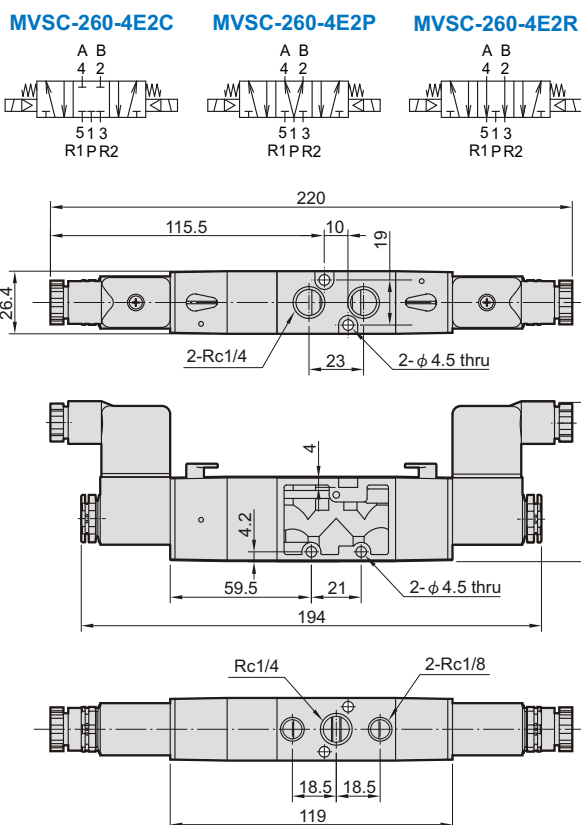
MVSC-260-4E1



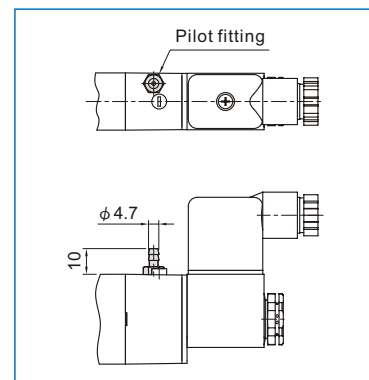
MVSC-260-4E2



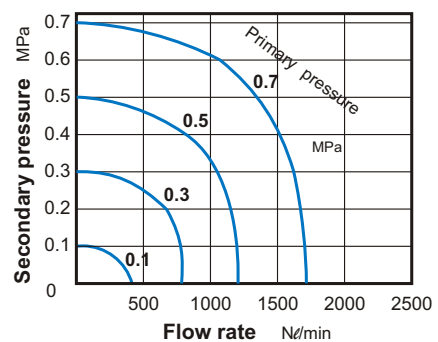
MVSC-260-4E2C.PR



LP



Flow features



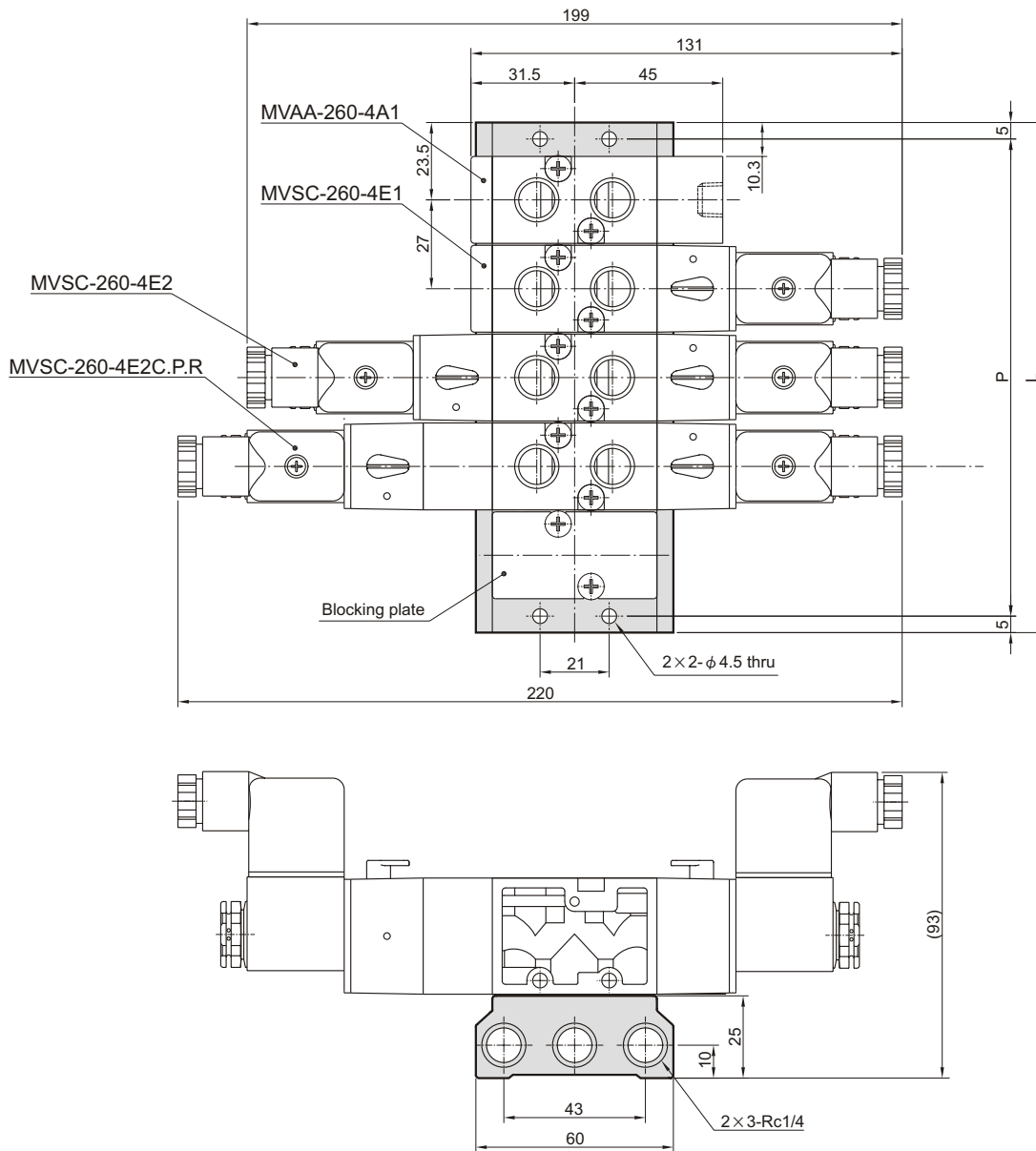
MVSC-260 Manifold

SOLENOID VALVE



Mindman

MVSC-260-5B*



No. of stations	P	L
2	64	74
3	91	101
4	118	128
5	145	155
6	172	182
7	199	209
8	226	236
9	253	263
10	280	290



Mindman