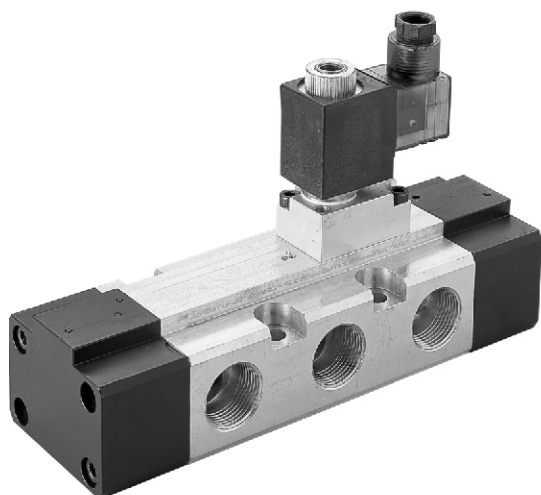


# MVSE-600 series

## SOLENOID VALVE



mindman



### Specification

Model	4E1	4E2
Bore No.	20A, 25A	
Port size	Rc3/4, Rc1	
No. of port	5	
No. of position	2	
Medium	Air	
Operating pressure range	0.2~0.7 MPa	
Proof pressure	1 MPa	
Effective orifice	20A: 96 mm <sup>2</sup>	
	25A: 100 mm <sup>2</sup>	
Response time	80 ms	
Ambient temperature	-5~+50°C (No freezing)	
Voltage	AC110V, AC220V (50/60)Hz, DC24V	
Power consumption	AC=13/11VA, DC=10W	
Available voltage range	±10%	
Insulation class	H class	
Weight	1817 g	2102 g

### Order example of valve

MVSE — 600 — 4E2 — 25A — AC110 — L — G

MODEL

BODY WIDTH

BORE SIZE

20A: Rc3/4  
25A: Rc1

VOLTAGE

AC220V(50/60)Hz  
AC110V(50/60)Hz  
DC24V

Blank: DIN connector

L: DIN connector with LED indicator

PORT THREAD

Blank: Rc thread

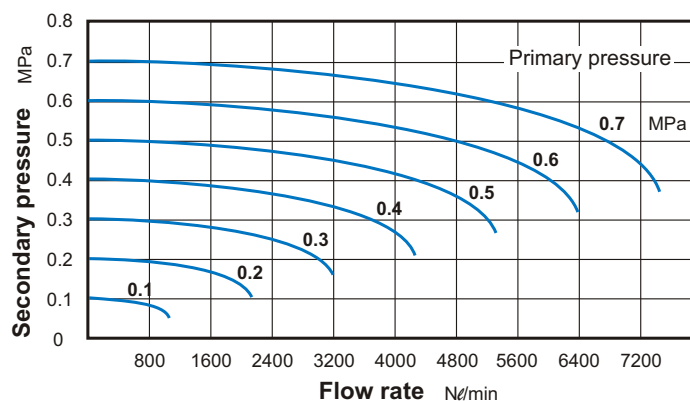
G: G thread

NPT: NPT thread

4: 4way

E1: Single Solenoid  
E2: Double Solenoid

### Flow features



mindman

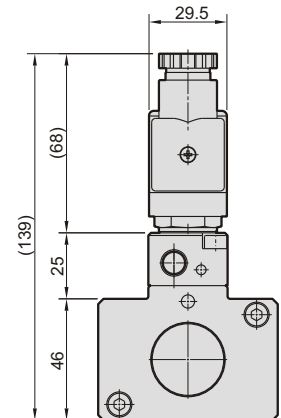
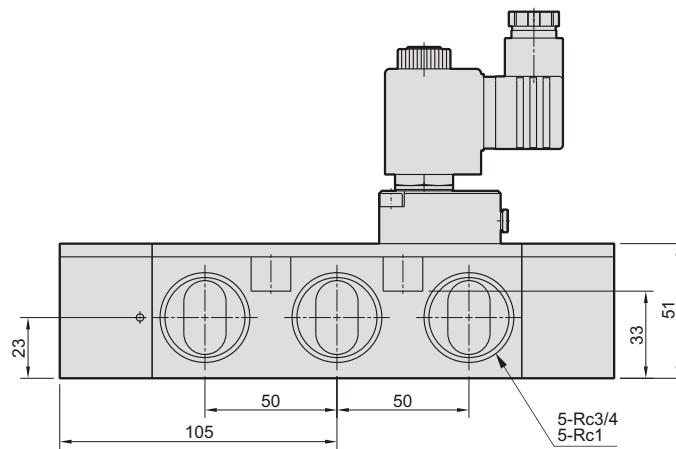
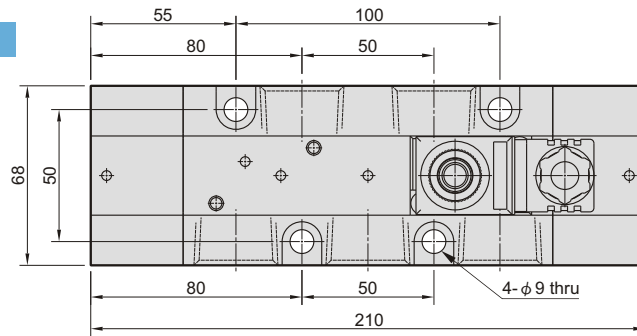
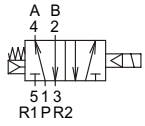
# MVSE-600 Dimensions

## SOLENOID VALVE

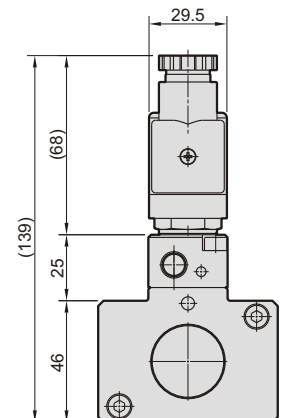
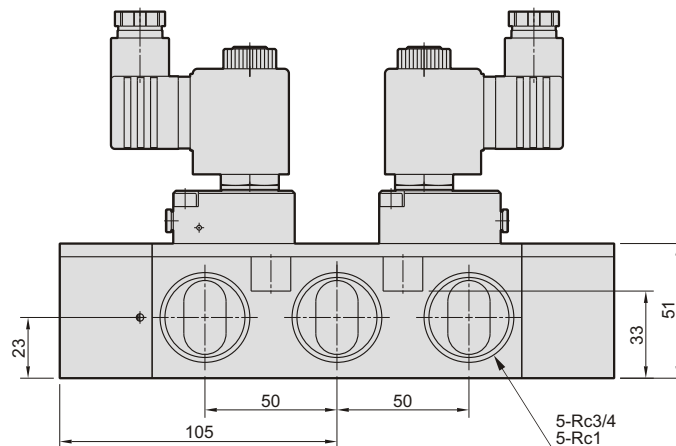
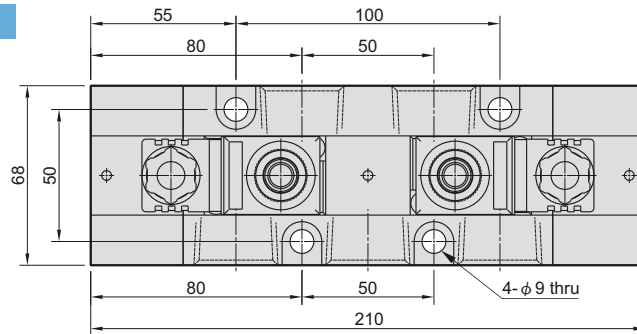
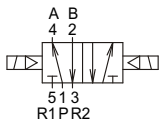


Mindman

### MVSE-600-4E1



### MVSE-600-4E2



Mindman