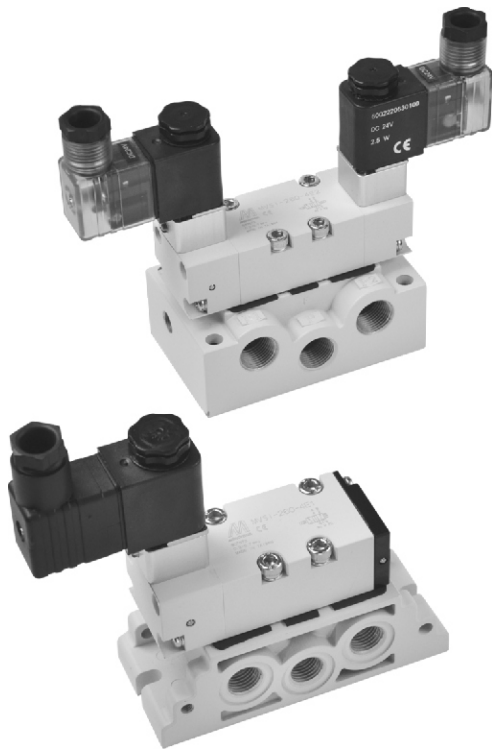


MVSI-260 series

ISO-1 SOLENOID VALVE



Mindman



Specification

Model	4E1	4E2	4E2C.P.R
No. of port	5		
No. of position	2	3	
Medium	Air		
Operating pressure range	0.2~0.7 MPa		0.3~0.7 MPa
Proof pressure	1.05 MPa		
Effective orifice	22 mm ²		20 mm ²
Response time	40 ms		
Ambient temperature	-5~+50°C (No freezing)		
Voltage	AC110V, 220V (50/60)Hz, DC24V		
Power consumption	AC=6/4.9VA, DC=2.5W		
Available voltage range	±10%		
Insulation class	F class		
Weight	312 g	422 g	572 g

Order example of valve

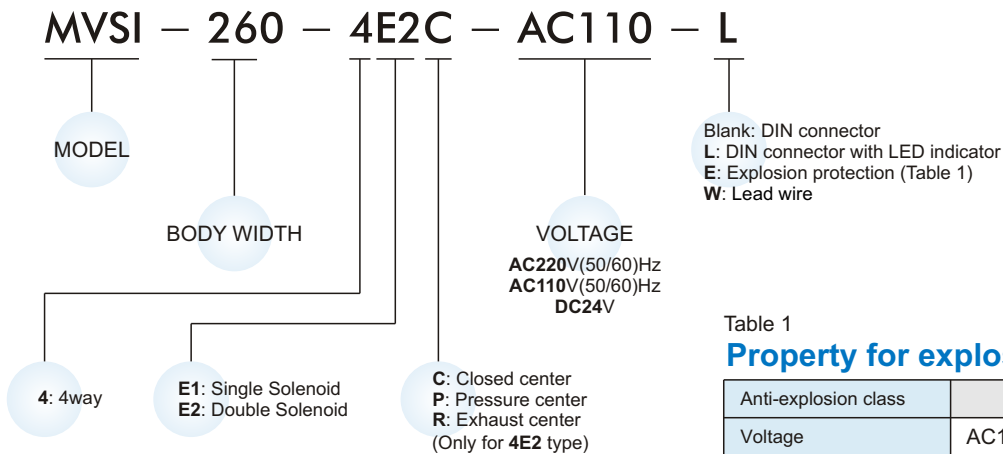


Table 1
Property for explosion-proof type

Anti-explosion class	EEx m II T4
Voltage	AC110V, 220V, (50/60)Hz, DC24V.
Power consumption	AC=4.4VA DC=5W
Available voltage range	±10%
Insulation class	F class

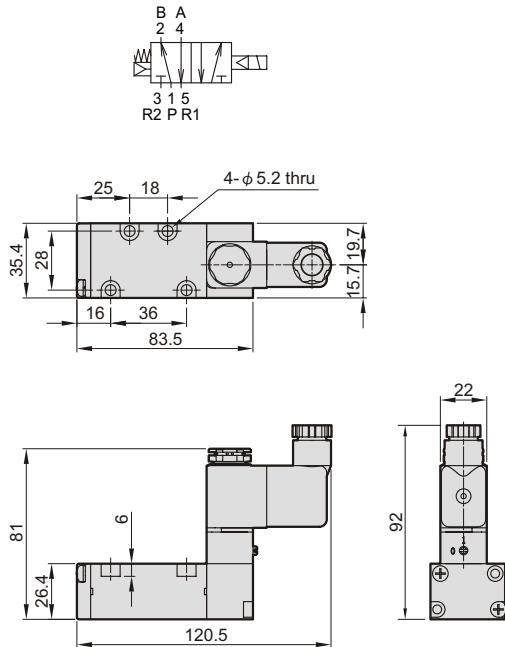


Mindman

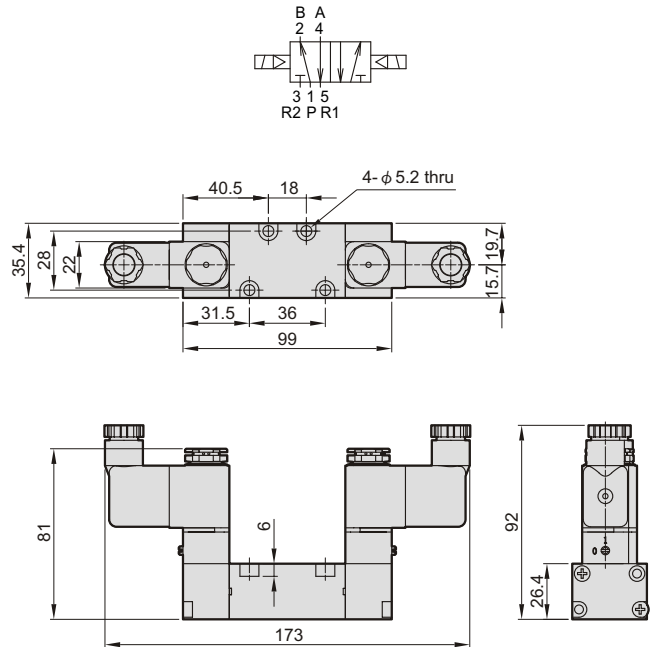
MVSI-260 Dimensions

ISO-1 SOLENOID VALVE

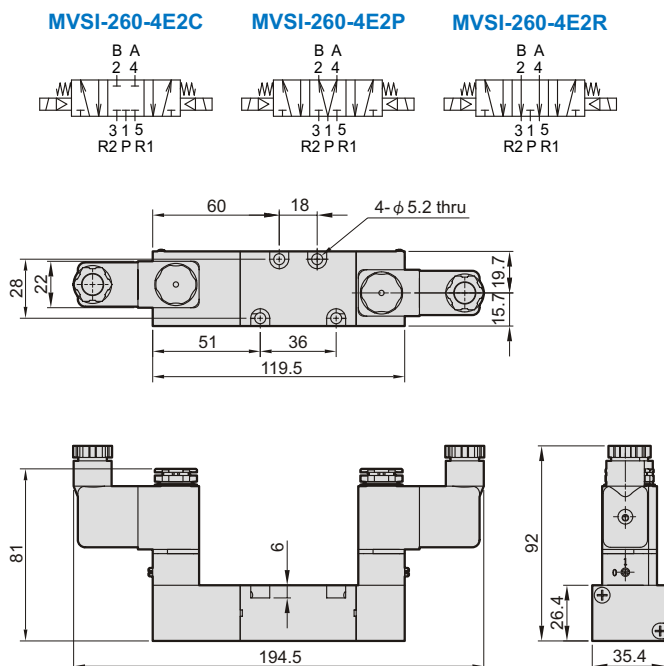
MVSI-260-4E1



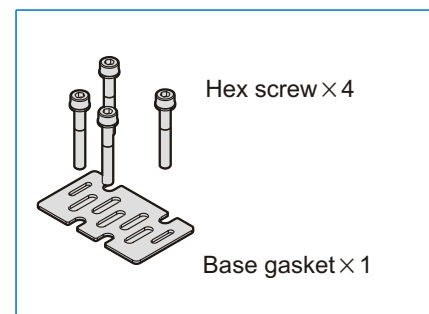
MVSI-260-4E2



MVSI-260-4E2C.P.R



Accessories



Flow features

