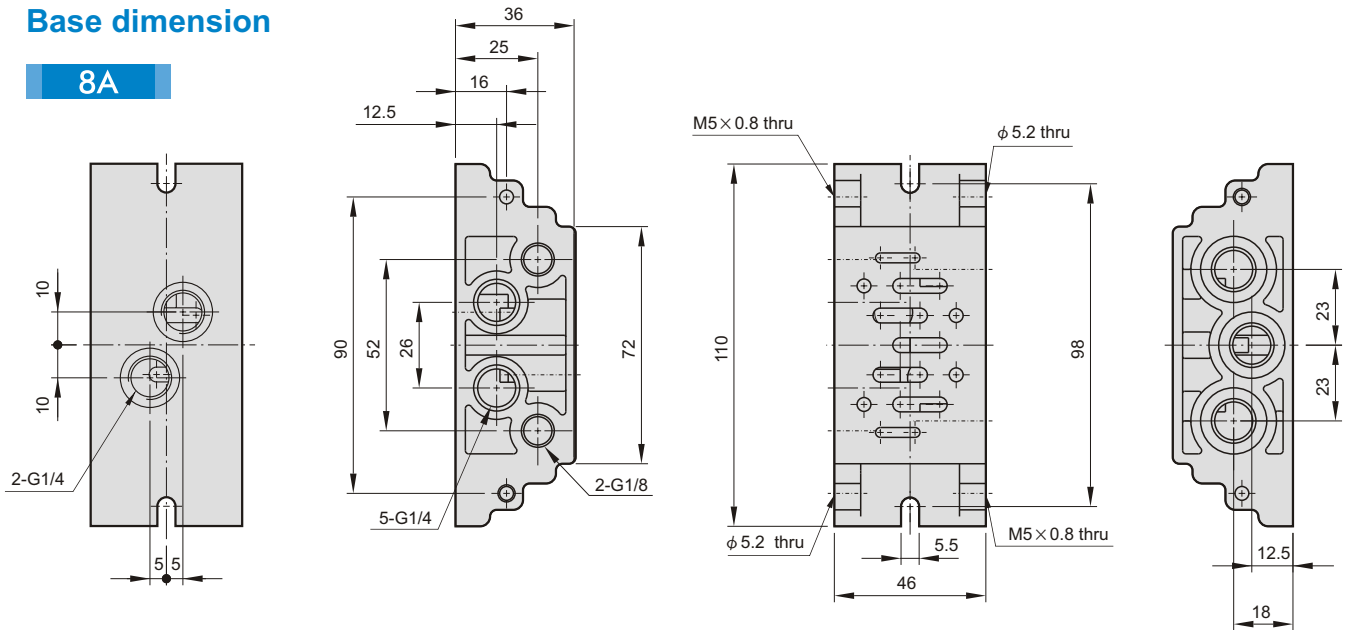


Base dimension

8A



Order example

MVSI - 1 - B - 8A

MODEL

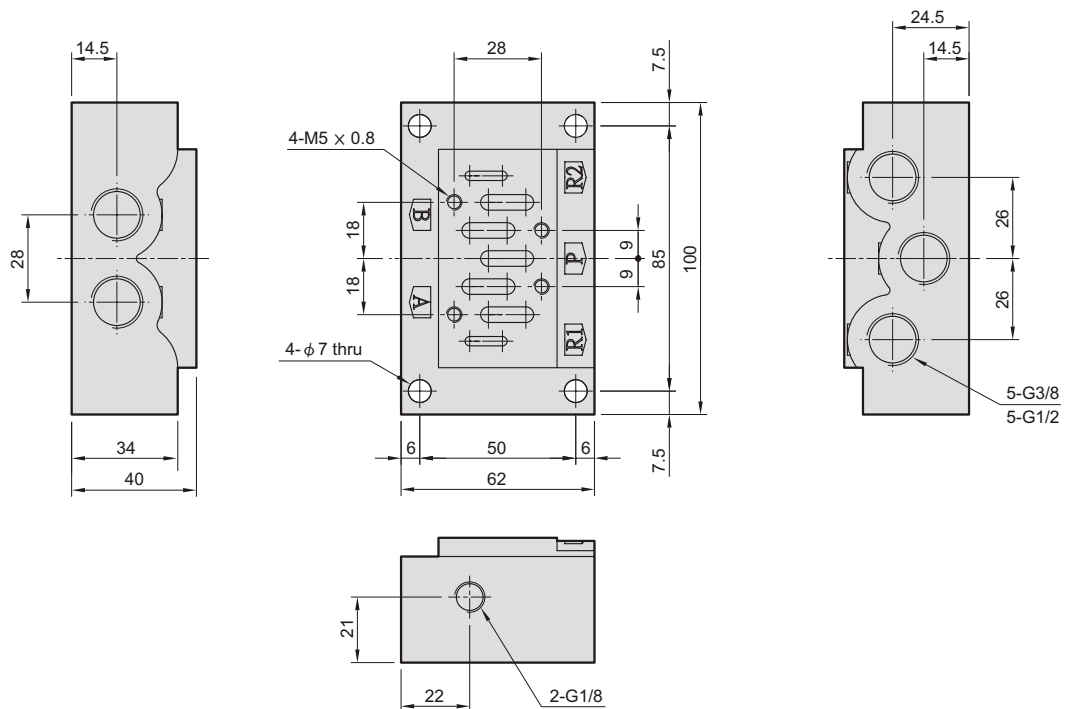
BASE

BORE SIZE

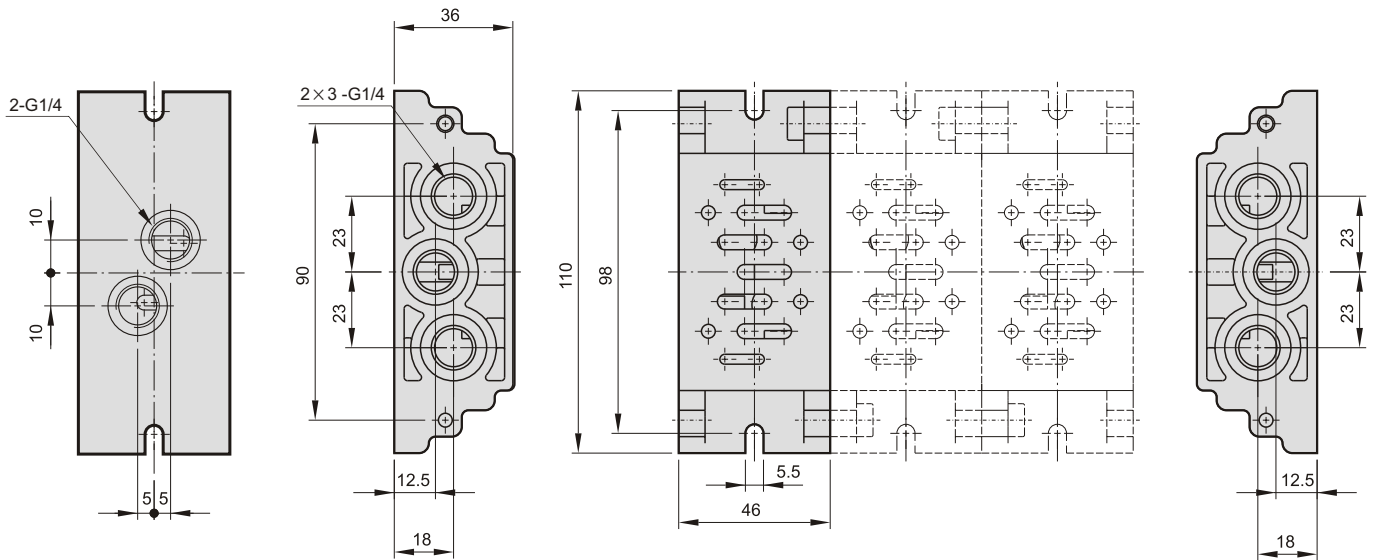
- 8A : G1/4
- 10A : G3/8
- 15A : G1/2

10A

15A



Manifold of solenoid valve



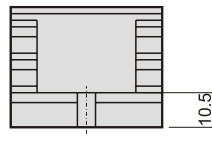
Order example

MVSI - 1 - M2

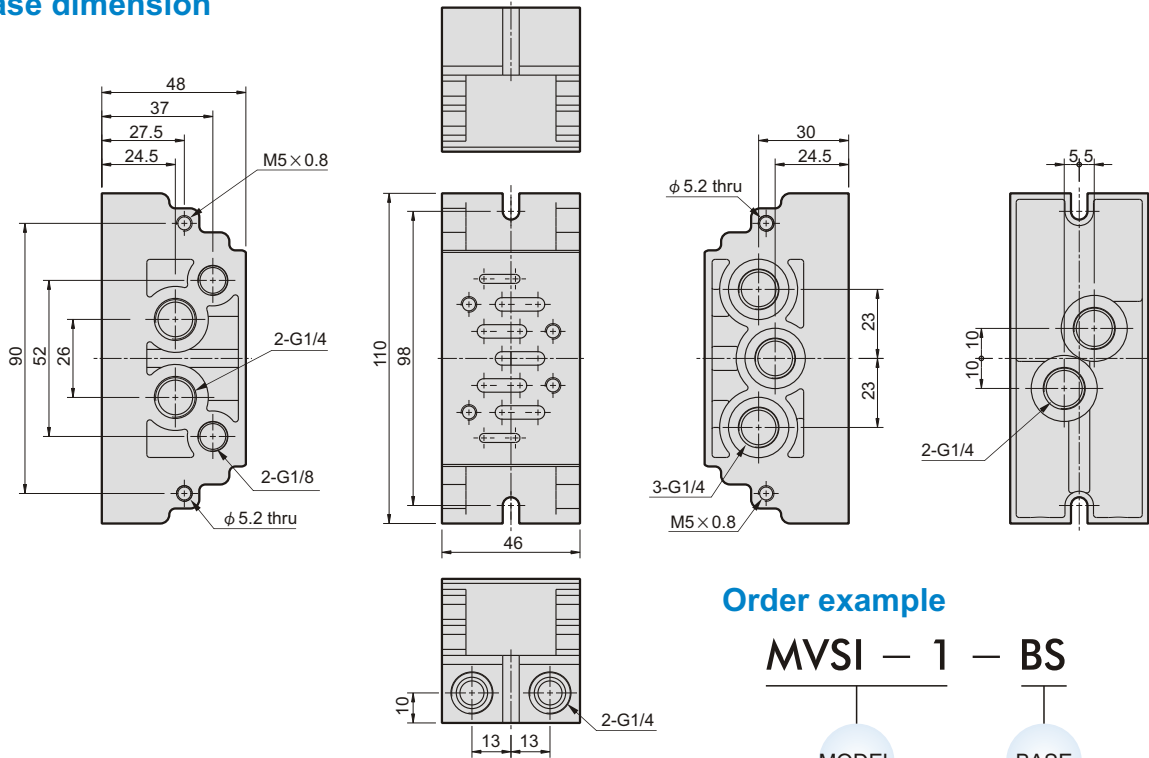
MODEL

MANIFOLD

NO. OF STATIONS
1, 2, 3...



Base dimension



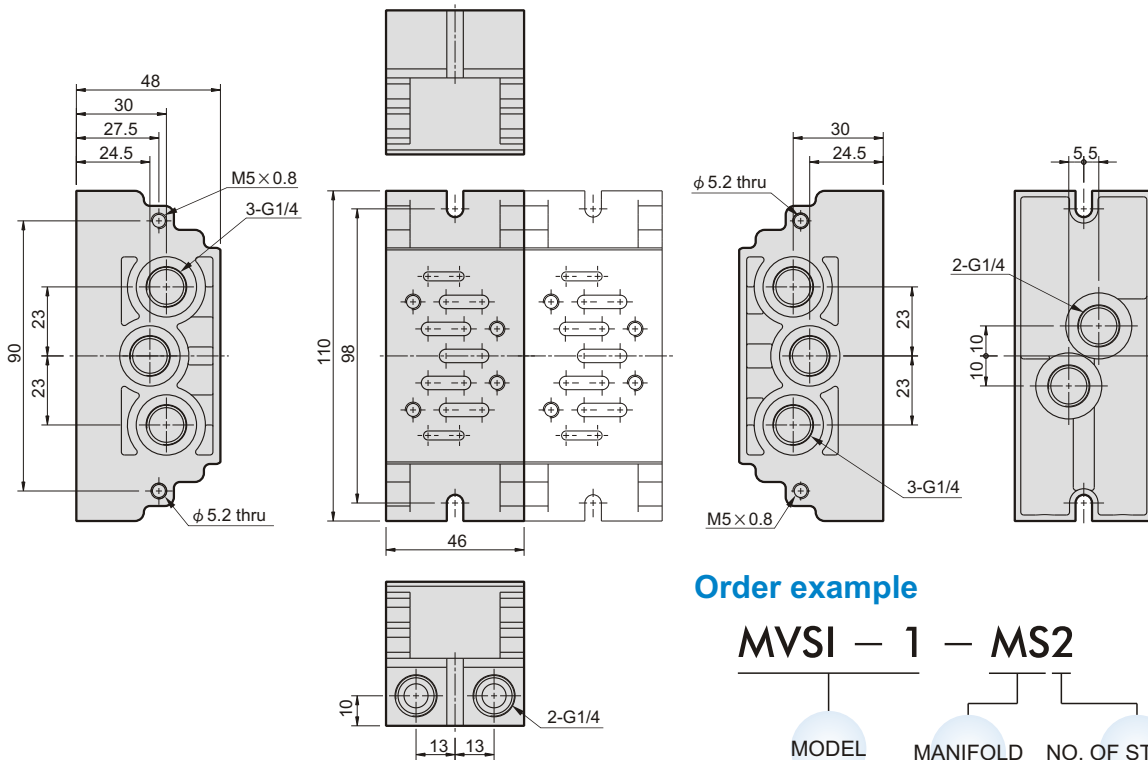
Order example

MVSI - 1 - BS

MODEL

BASE

Manifold of solenoid valve



Order example

MVSI - 1 - MS2

MODEL

MANIFOLD

NO. OF STATIONS
2, 3...