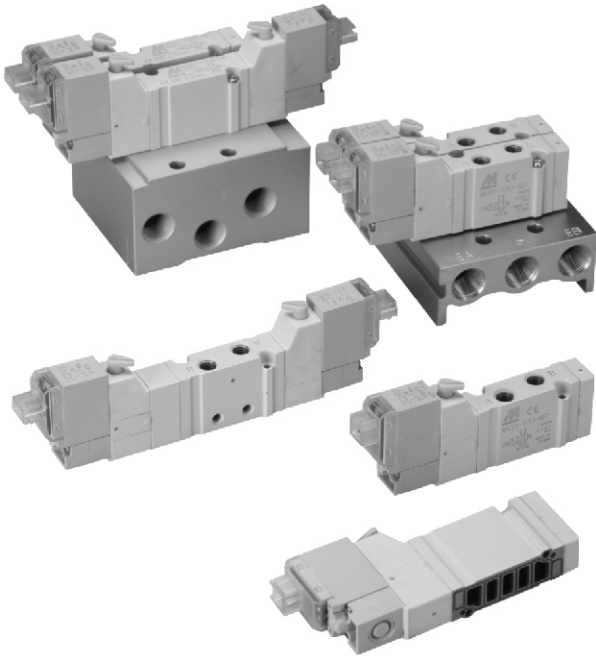


MVSY-100 series

SOLENOID VALVE



mindman

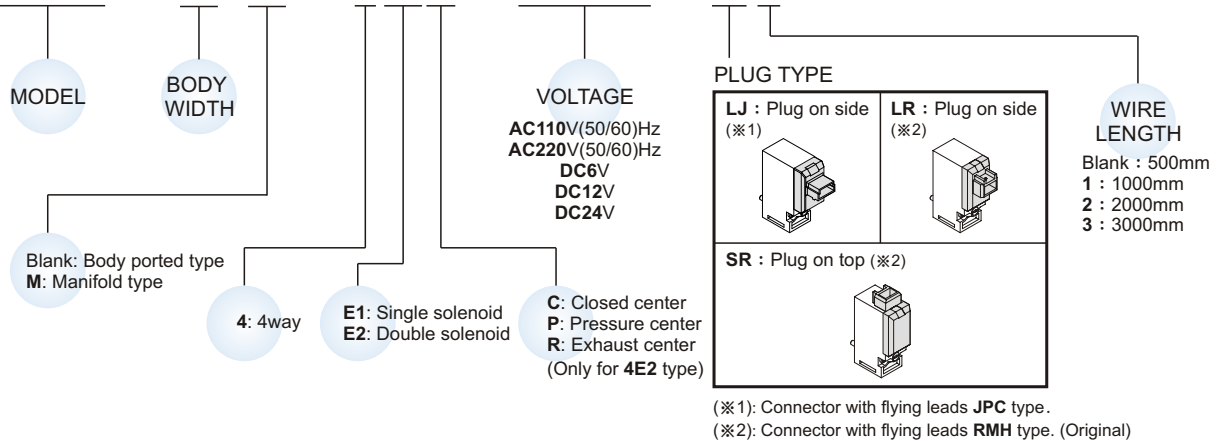


Specification

Model	4E1	4E2	4E2C.P.R
Bore No.	M5		
Port size	M5×0.8		
No. of port	5		
No. of position	2	3	
Medium	Air		
Operating pressure range	0.2~0.7 MPa		
Proof pressure	1 MPa		
Effective orifice	Body ported	4.5 mm ²	4.5 mm ²
	Manifold	4.5 mm ²	4.5 / 5 / 4.5 mm ²
Response time	12 ms		15 ms
Ambient temperature	+5~+50°C		
Voltage	AC110V, AC220V (50/60)Hz, DC6/12/24V		
Power consumption	AC=1.6 / 2.5VA, DC=1.2W (LED indicator)		
Available voltage range	±10%		
Insulation class	B class		
Weight	30g	43g	55g

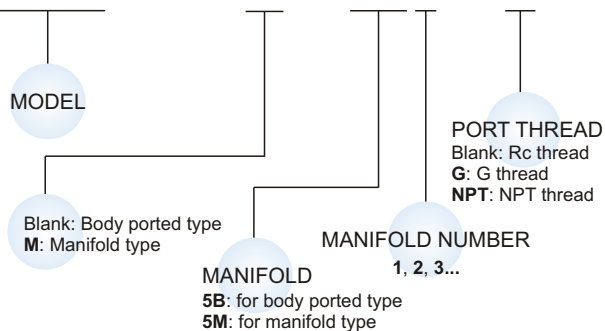
Order example of valve

MVSY – 100M – 4E2C – AC110 – LJ1



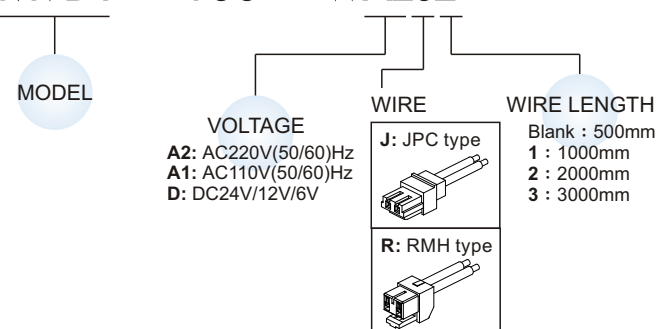
Order example of manifold

MVSY – 100M – 5M3 – G



Order example of wire ※Use the same wire with MVDY.

MVDY – 100 – WA2J2



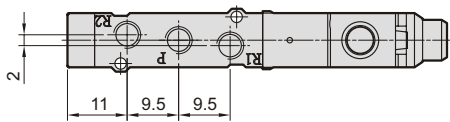
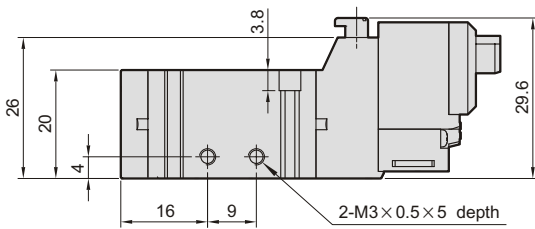
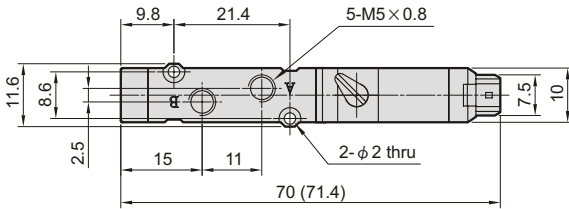
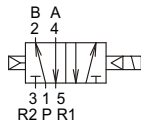
mindman

MVSY-100 Dimensions

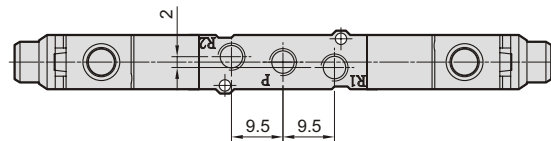
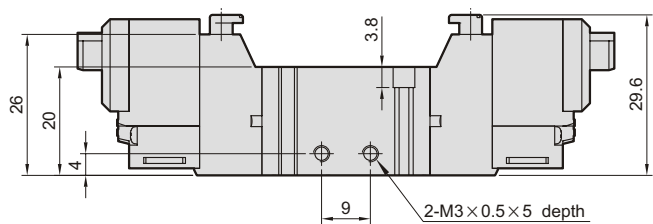
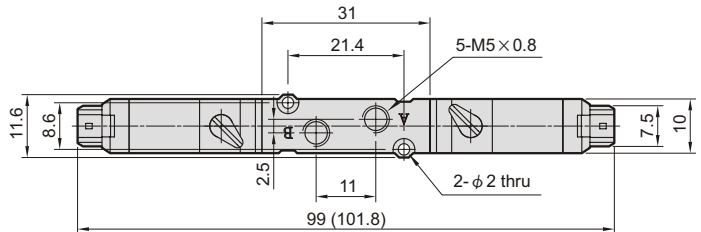
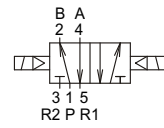
SOLENOID VALVE



MVSY-100-4E1



MVSY-100-4E2

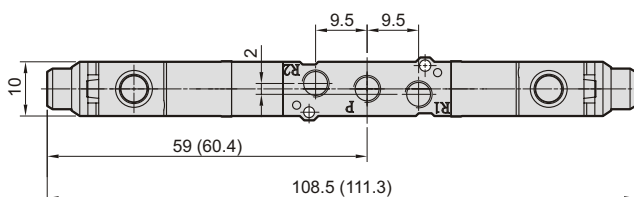
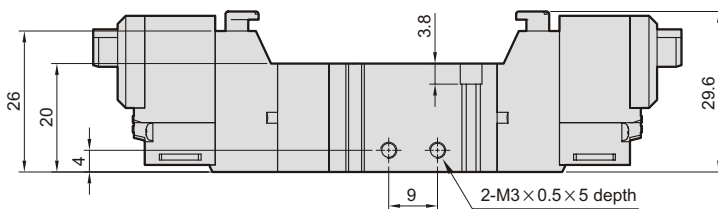
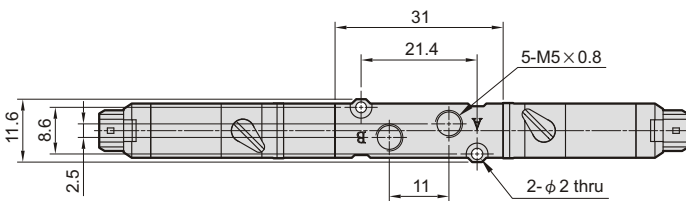
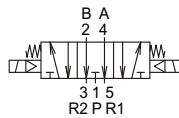
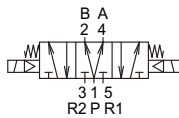
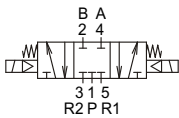


MVSY-100-4E2C.P.R

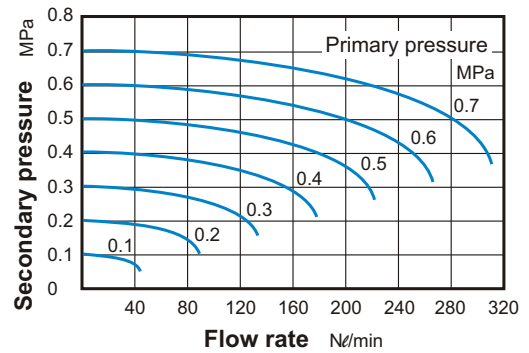
MVSY-100-4E2C

MVSY-100-4E2P

MVSY-100-4E2R



Flow features



(): Dimension for LJ plug type.



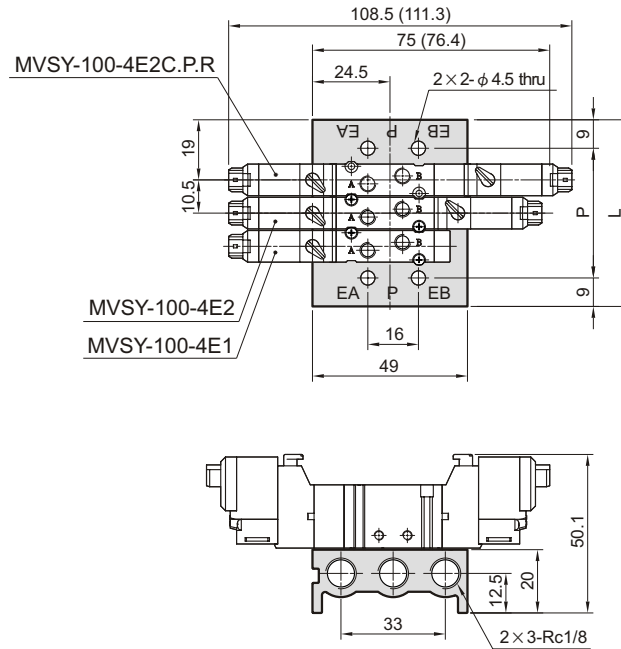
MVSY-100 Manifold

SOLENOID VALVE



MVSY-100-5B*

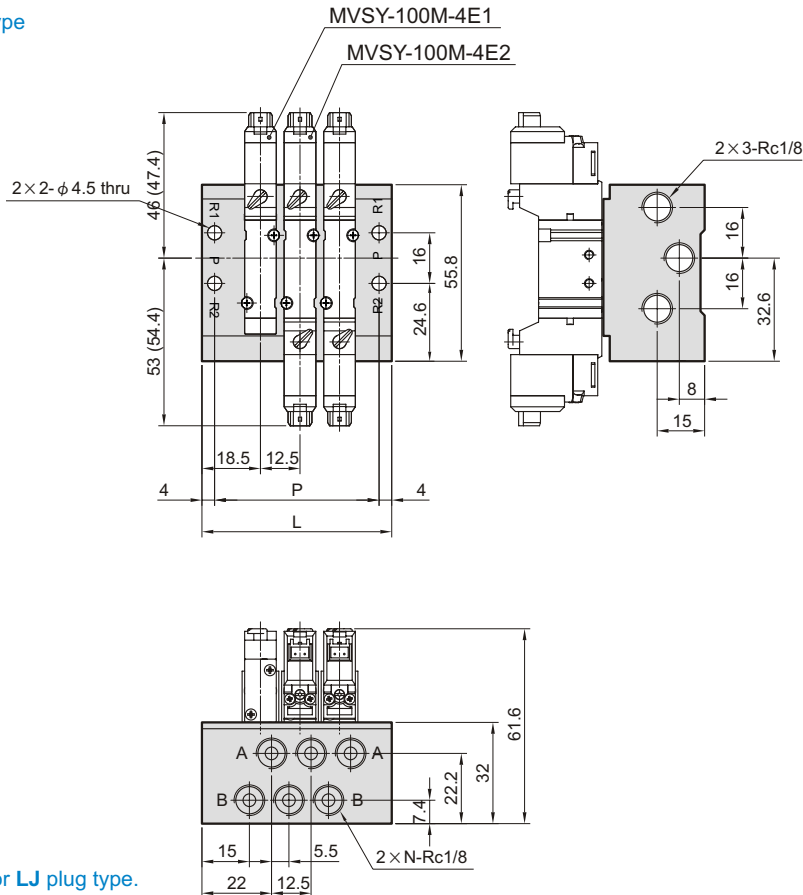
for body ported type



No. of stations (N)	P	L
2	30.5	48.5
3	41	59
4	51.5	69.5
5	62	80
6	72.5	90.5
7	83	101
8	93.5	111.5
9	104	122
10	114.5	132.5

MVSY-100-5M*

for manifold type



No. of stations (N)	P	L
2	39.5	47.5
3	52	60
4	64.5	72.5
5	77	85
6	89.5	97.5
7	102	110
8	114.5	122.5
9	127	135
10	139.5	147.5

() : Dimension for LJ plug type.



MVSY-100 Mounting bracket

SOLENOID VALVE



Mindman

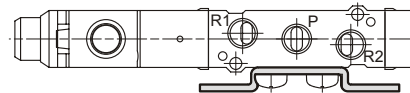
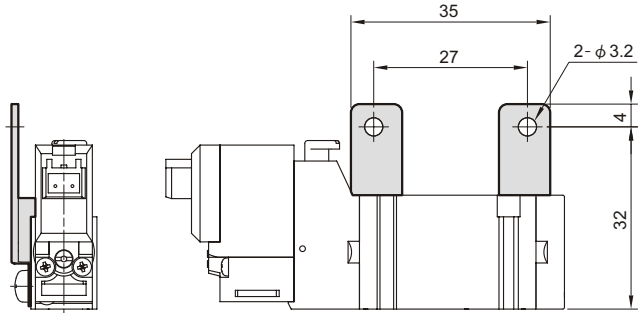
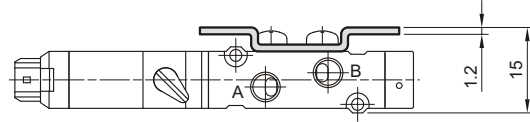
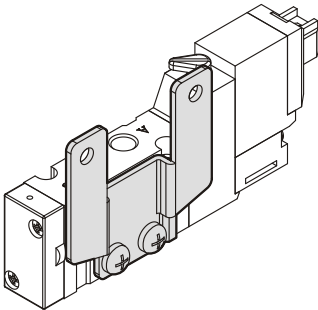
Order example of bracket

MVSY – 100 – 1A

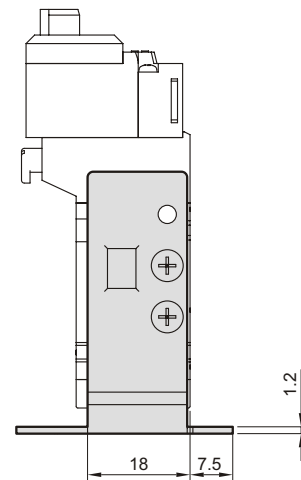
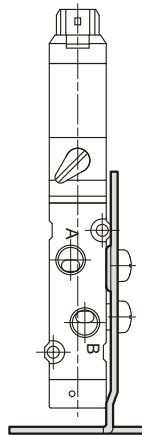
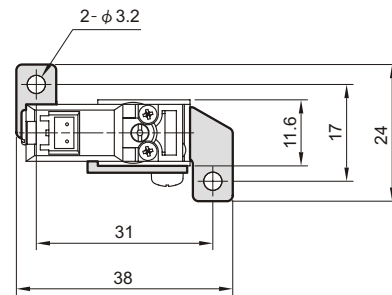
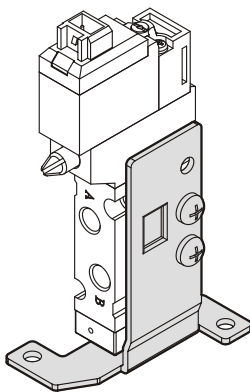
MOUNTING BRACKET

1A : 1A
2A : 2A

MVSY-100-1A



MVSY-100-2A



Mindman