

# MVSY-156 series

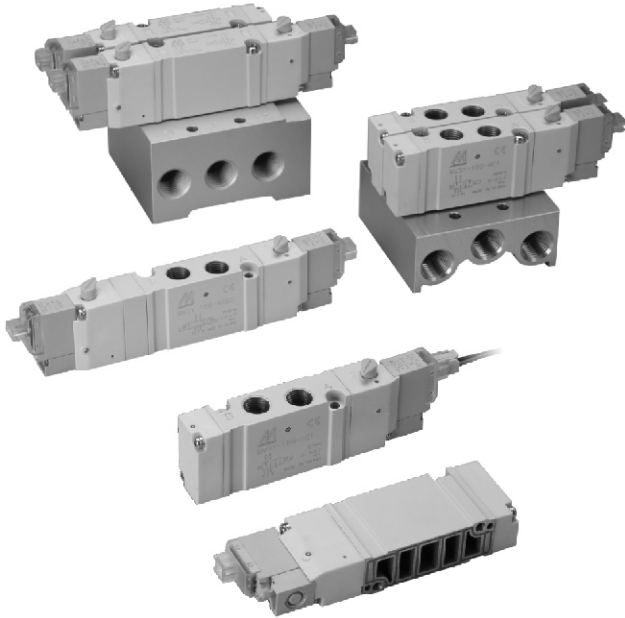
## SOLENOID VALVE



mindman

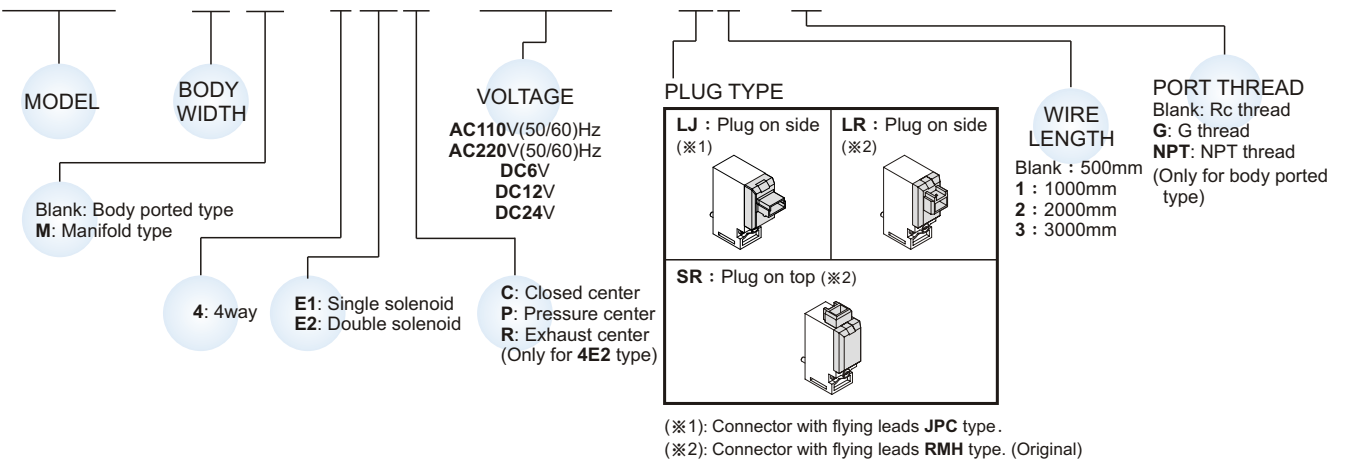
### Specification

Model	4E1	4E2	4E2C.P.R
Bore No.	6A		
Port size	Rc1/8		
No. of port	5		
No. of position	2	3	
Medium	Air		
Operating pressure range	0.15~0.7 MPa		0.2~0.7 MPa
Proof pressure	1 MPa		
Effective orifice	Body ported	11 mm <sup>2</sup>	9.5 / 14.6 / 9.5 mm <sup>2</sup>
	Manifold	10 mm <sup>2</sup>	7.5 / 13 / 8 mm <sup>2</sup>
Response time	19 ms		32 ms
Ambient temperature	+5~+50°C		
Voltage	AC110V, AC220V (50/60)Hz, DC6/12/24V		
Power consumption	AC=1.6 / 2.5VA, DC=1.2W (LED indicator)		
Available voltage range	± 10%		
Insulation class	B class		
Weight	68g	87g	96g



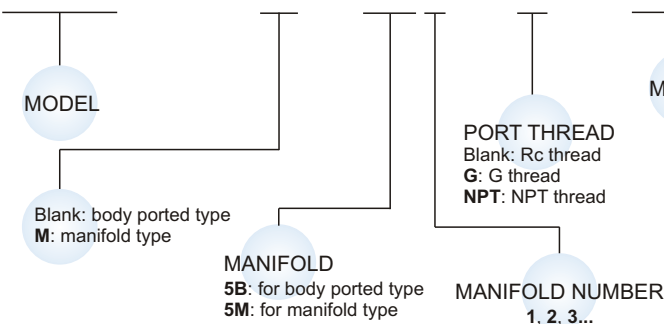
### Order example of valve

MVSY – 156M – 4E2C – AC110 – LJ1 – G



### Order example of manifold

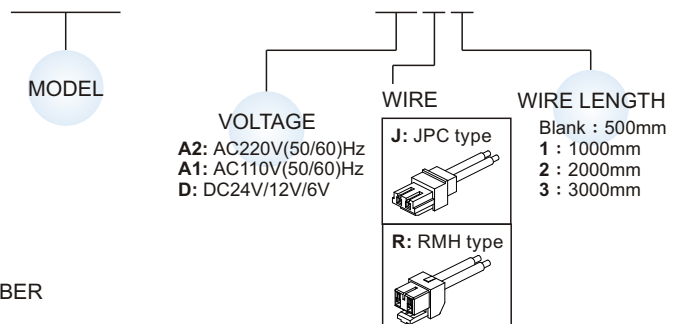
MVSY – 156M – 5M3 – G



### Order example of wire

※Use the same wire with MVDY.

MVDY – 100 – WA2J2



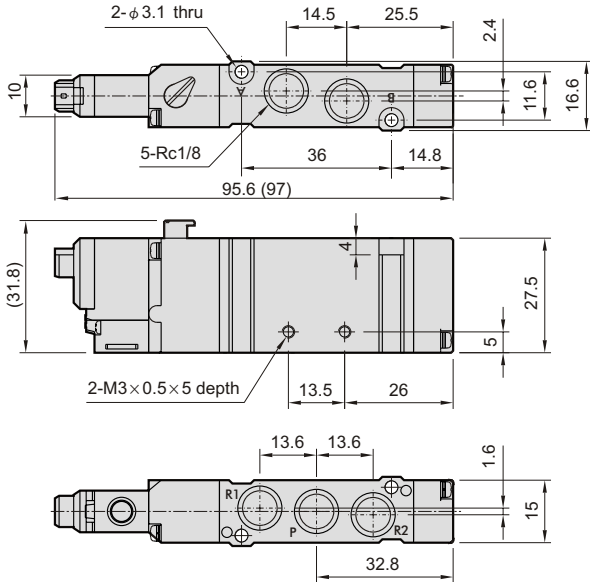
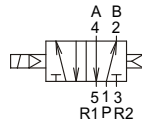
mindman

# MVSY-156 Dimensions

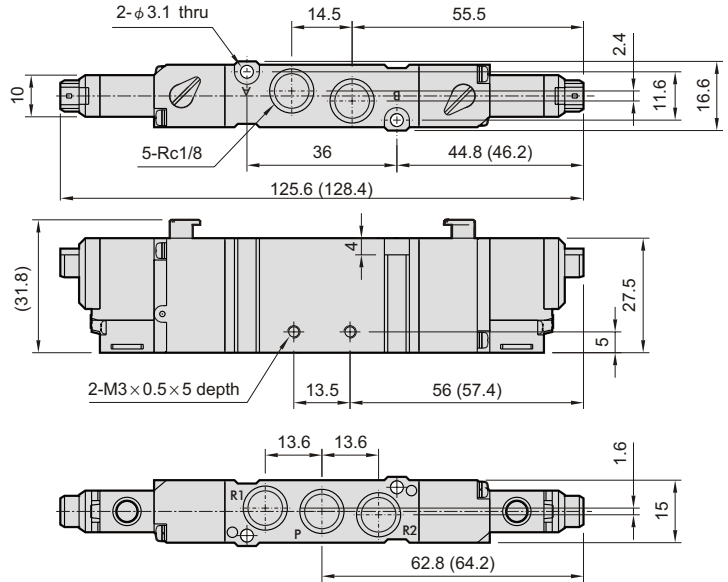
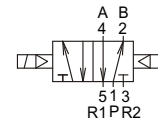
## SOLENOID VALVE



### MVSY-156-4E1

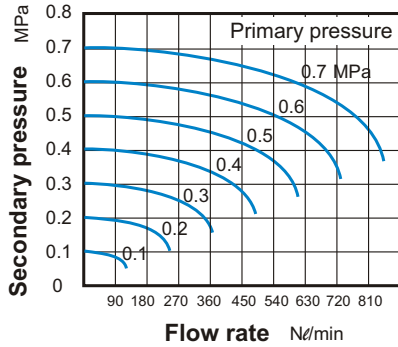


### MVSY-156-4E2

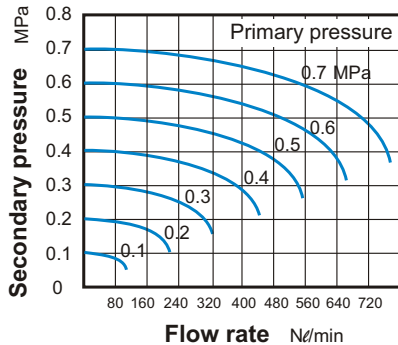


## Flow features

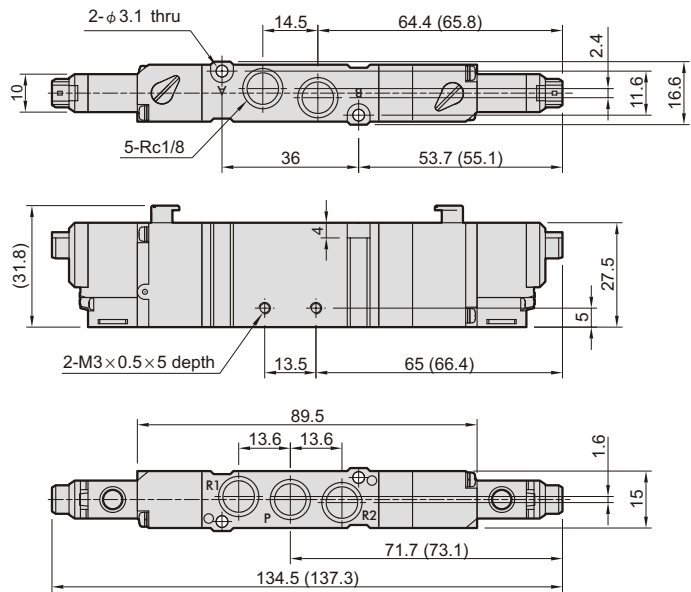
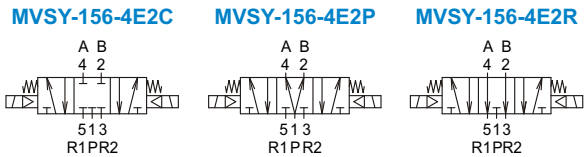
### MVSY-156-4E1/4E2



### MVSY-156M-4E1/4E2



### MVSY-156-4E2C.P.R



( ) : Dimension for LJ plug type.

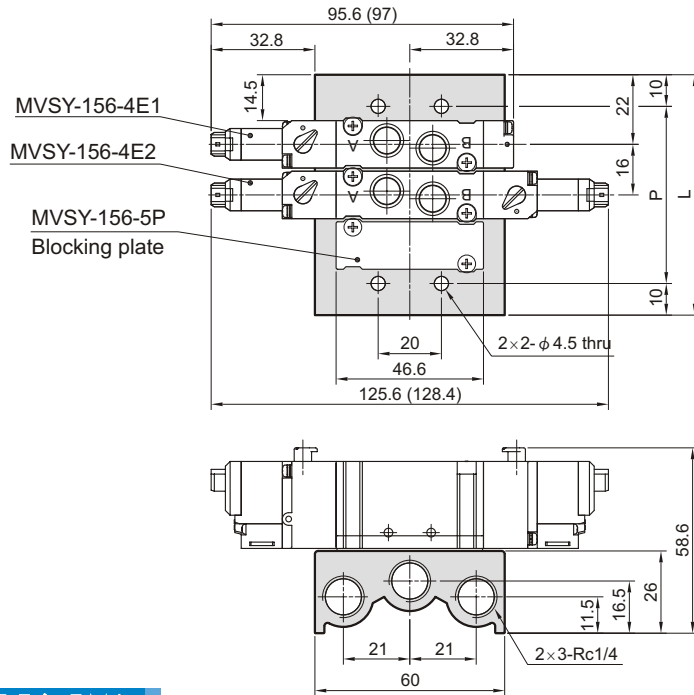


# MVSY-156 Manifold

## SOLENOID VALVE

### MVSY-156-5B\*

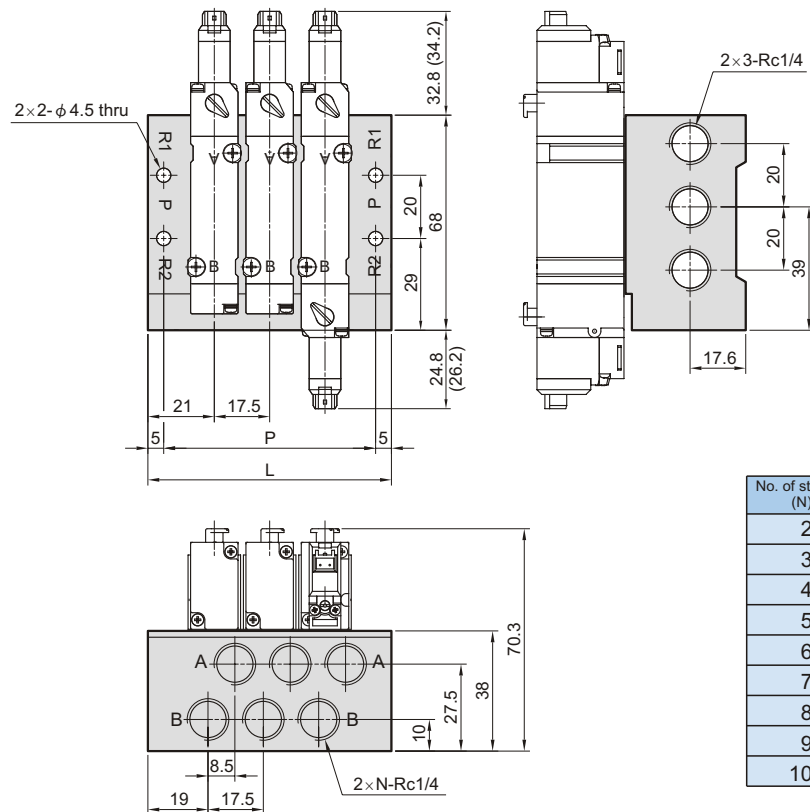
for body ported type



No. of stations (N)	P	L
2	40	60
3	56	76
4	72	92
5	88	108
6	104	124
7	120	140
8	136	156
9	152	172
10	168	188

### MVSY-156-5M\*

for manifold type



No. of stations (N)	P	L
2	49.5	59.5
3	67	77
4	84.5	94.5
5	102	112
6	119.5	129.5
7	137	147
8	154.5	164.5
9	172	182
10	189.5	199.5

( ) : Dimension for LJ plug type.

# MVSY-156 Mounting bracket

SOLENOID VALVE



mindman

## Order example of bracket

MVSY – 156 – 1A

MODEL

MOUNTING BRACKET

1A : 1A  
2A : 2A

## Order example of spacer assembly

MVSY – 156M – 5BP

MODEL

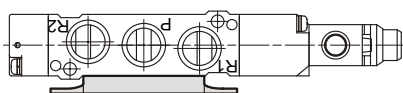
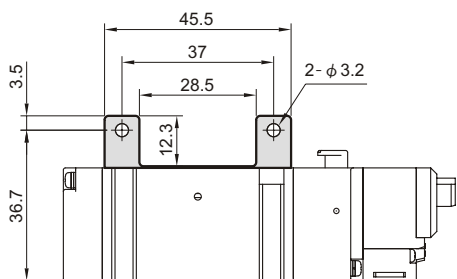
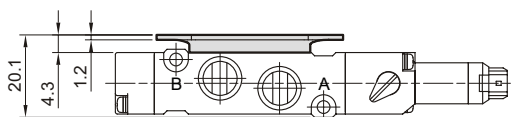
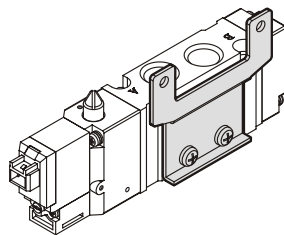
5B: Body ported type  
5M: Manifold type

Blank: body ported type  
M: manifold type

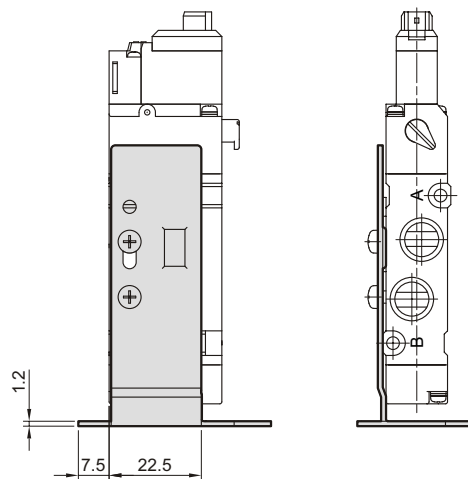
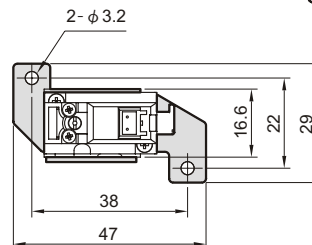
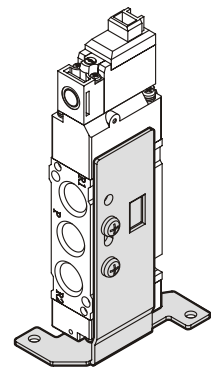
SPACER  
ASSEMBLY

P : Individual SUP spacer assembly  
R : Individual EXH spacer assembly  
PR : Individual SUP spacer assembly+  
Individual EXH spacer assembly

### MVSY-156-1A



### MVSY-156-2A



mindman

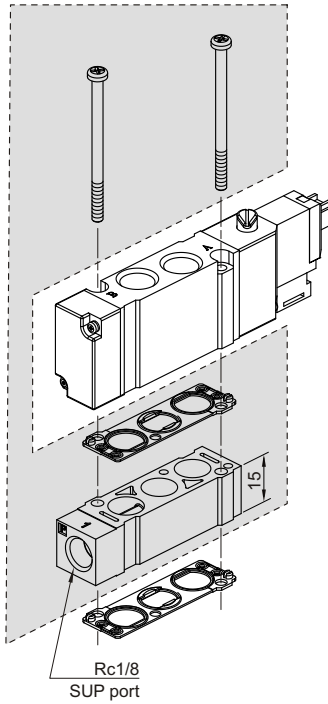
# MVSY-156 Spacer assembly

SOLENOID VALVE

## for body ported type

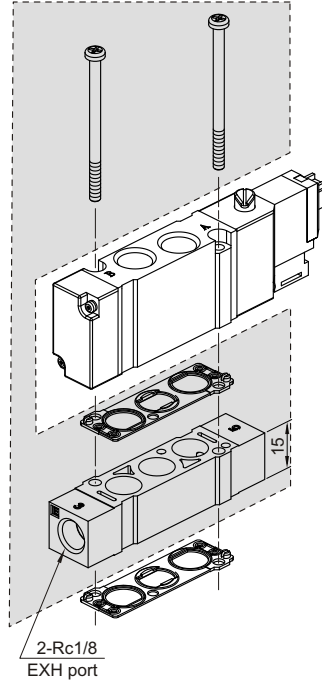
### MVSY-156-5BP

Individual SUP spacer assembly



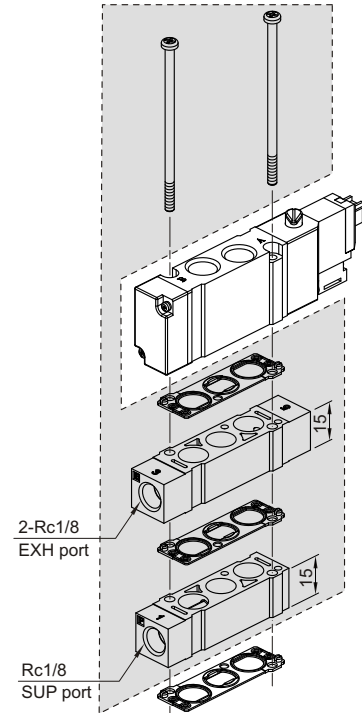
### MVSY-156-5BR

Individual EXH spacer assembly



### MVSY-156-5BPR

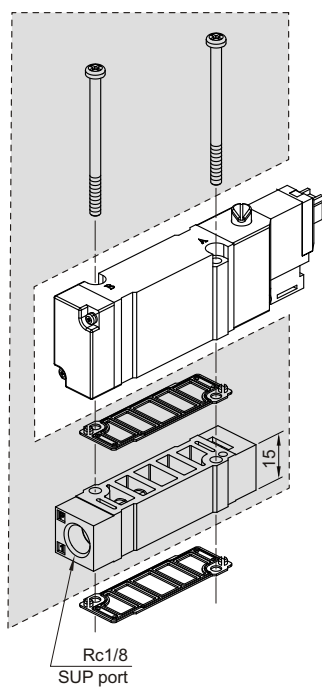
Individual SUP spacer assembly +  
Individual EXH spacer assembly



## for manifold type

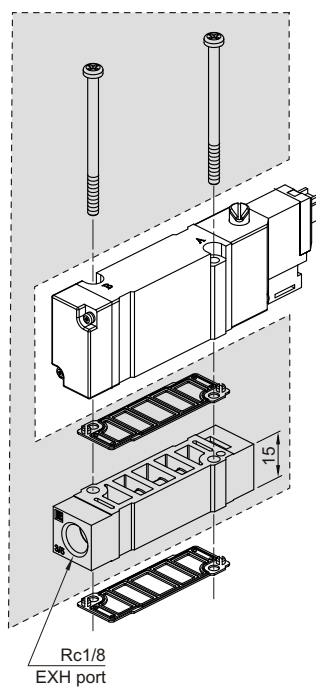
### MVSY-156M-5MP

Individual SUP spacer assembly



### MVSY-156M-5MR

Individual EXH spacer assembly



### MVSY-156M-5MPR

Individual SUP spacer assembly +  
Individual EXH spacer assembly

