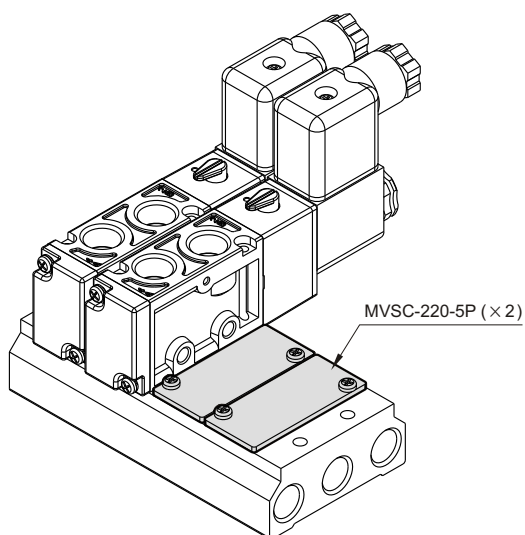


### Order example

MVSC – 220 – 5P

MODEL

BLOCKING  
PLATE  
3P: for 3 port  
5P: for 5 port



### Blocking plate table

Applicable model	Symbol for order	
	3P: for 3 port	5P: for 5 port
<b>MVSC/D-180</b>	MVSC-180-3P	MVSA-180-5P (※1)
<b>MVSC-220</b>	MVSC-220-3P	MVSC-220-5P
<b>MVSC-260</b>	—	MVSA-260-5P (※1)
<b>MVSC-300</b>	MVSC-300-3P	MVSA-300-5P (※1)
<b>MVSC-460</b>	—	MVSC-460-5P
<b>MVSE-260</b>	—	MVSA-260-5P (※1)
<b>MVSE-300</b>	—	MVSE-300-5P
<b>MVSE-500</b>	—	MVSC-460-5P (※2)
<b>MVSF-100</b>	MVSF-100-3P	MVSF-100-5P
<b>MVSG-180</b>	—	MVSG-180-5P
<b>MVSY-100</b>	—	MVSY-100-5P
<b>MVSY-156</b>	—	MVSY-156-5P
<b>MVSY-188</b>	—	MVSY-188-5P
<b>MVSZ-100</b>	—	MVSZ-100-5P
<b>MVDY-100</b>	MVDY-100-3P	—

(※1): Use the same blocking plate with MVSA.

(※2): Use the same blocking plate with MVSC.

### Blocking plate parts

