



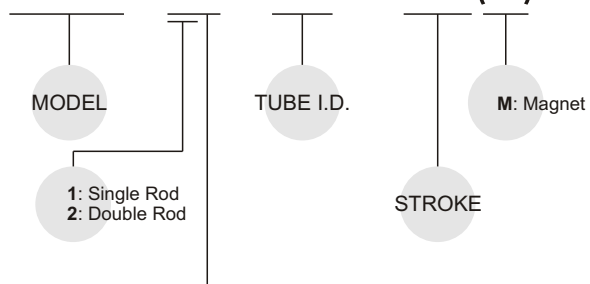
Table for standard stroke :

Tube I.D.	Stroke (mm)
φ 32, 40	50,75,100,125,150,175,200,250,300,350,400,450,500
φ 50, 63	↑ 600
φ 80, 100	↑ 600,700

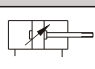
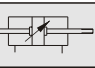
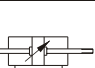
- Stroke out of specification is also available.
- Please consult us if stroke out of specification.

Order example :

MCQI - 11 - 50 - 100(M)



STYLE:

Code	Symbol	Description
1 1		Double acting / Male thread
2 1		Dual rod / Double acting / Male thread
2 7		Dual rod / Adjustable male thread (Please mark "adjustable distance(mm)" at order list)

Features:

■ Non-lubrication:

Designs of oil-filled alloy. special housing and bushing provide the needed self-lubrication of piston rod.

■ High quality-long service life:

Hard anodized aluminum cylinder tubes resist corrosion and abrasion.

■ ISO-6431 VDMA standard specification:

Conformance to ISO-6431 & VDMA-24562 specification. Unified design, most parts of each type are interchangeable among each other.

■ Insert type sensor switch:

With four grooves on the tube for sensor switch to be inserted into, position can be adjusted as needed.

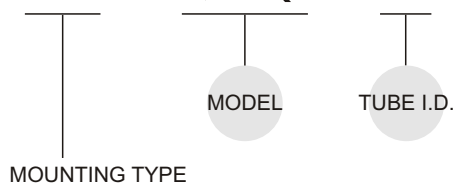
■ Port thread PT. NPT. are also available.

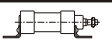
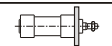
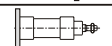
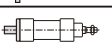
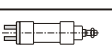




Specification:

Model	MCQI
Tube I.D.(mm)	32,40,50,63,80,100
Medium	Air
Operating pressure range	0.5~9.9 kgf/cm ²
Proof pressure	15 kgf/cm ²
Ambient temperature	-5°C~+60°C (No freezing)
Sensor switch	RCI

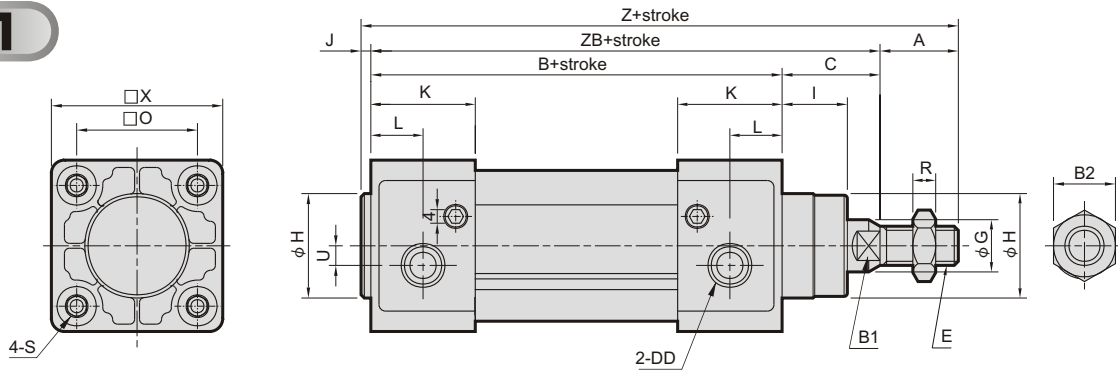
Mounting accessories:

FAC - MCQI - 50

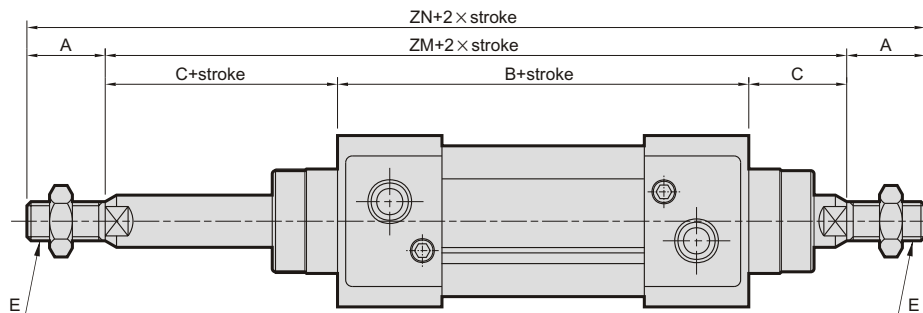


	LB
	FAC
	FBC
	CA
	CB
	CDB (+CB+Pin)
	TC
	TA
	TB

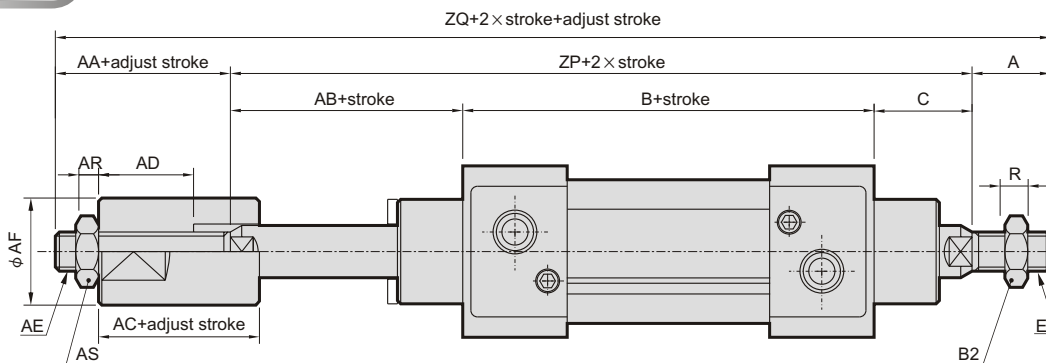
11



21



27

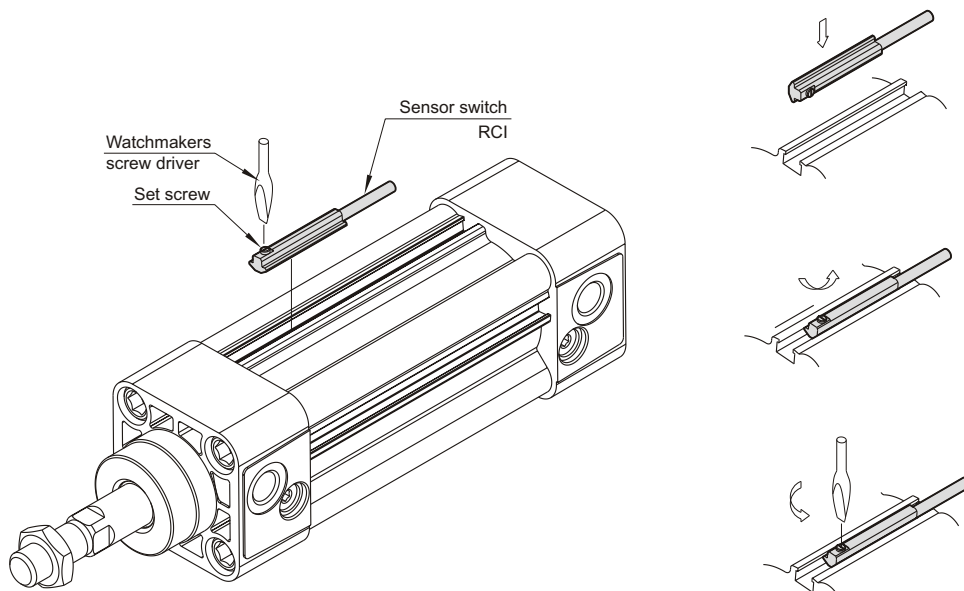


Code Tube I.D.	A	AA	AB	AC	AD	AE	AF	AR	AS	B	B1	B2	C	DD	E	G	H	I	J	K	L	O
32	22	19	23	12	7	M10×1.25	20	6	17	94	10	17	26	G 1/8	M10×1.25	12	30	16	4	26	13	32.5
40	24	20	27	12	7	M12×1.25	30	7	19	105	13	19	30	G 1/4	M12×1.25	16	35	20	4	30	15	38
50	32	20	32	15	10	M16×1.5	40	8	24	106	16	24	37	G 1/4	M16×1.5	20	40	25	4	30	15	46.5
63	32	20	32	15	10	M16×1.5	40	8	24	121	16	24	37	G 3/8	M16×1.5	20	45	25	4	32	16	56.5
80	40	32	41	20	14	M22×1.5	50	13	32	128	21	30	46	G 3/8	M20×1.5	25	45	32	4	38	19	72
100	40	32	44	20	14	M22×1.5	50	13	32	138	21	30	51	G 1/2	M20×1.5	25	55	35	4	40	21	89

Code Tube I.D.	R	S	U	X	Z	ZB	ZM	ZN	ZP	ZQ
32	5	M6×1.0	5	47	146	120	146	190	143	184
40	6	M6×1.0	4	53	163	135	165	213	162	206
50	8	M8×1.25	4	65	179	143	180	244	175	227
63	8	M8×1.25	7	75	194	158	195	259	190	242
80	10	M10×1.5	7	95	218	174	220	300	215	287
100	10	M10×1.5	7	115	233	189	240	320	233	305

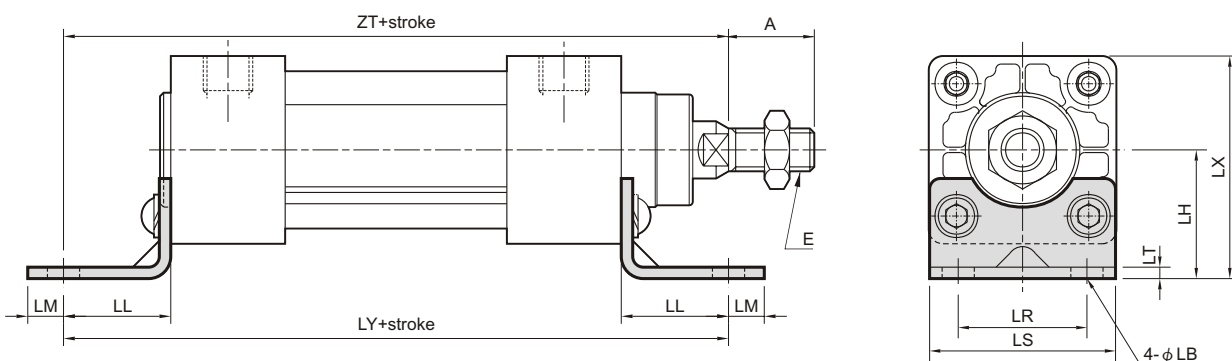
MCQI Installation of sensor switch $\phi 32\sim\phi 100$

ISO-VDMA STANDARD PROFILE CYLINDERS



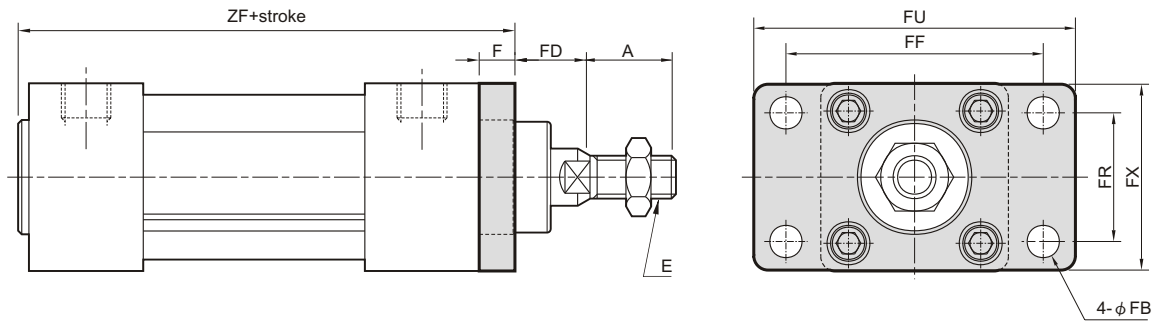
■ Mounting accessories

LB



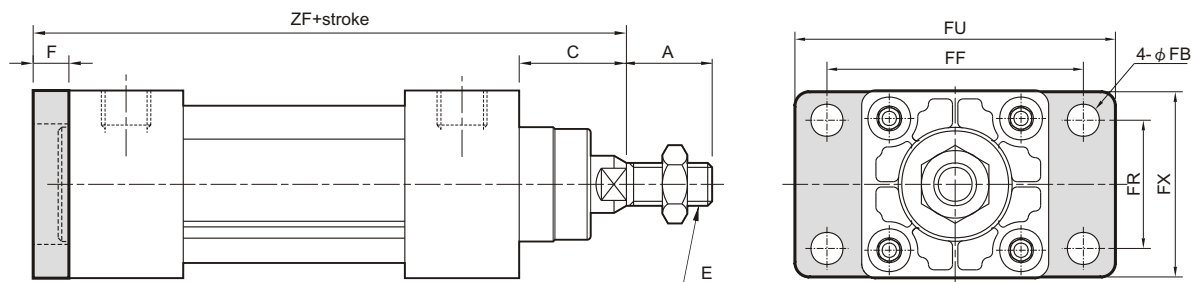
Code Tube I.D.	A	E	LB	LH	LL	LM	LR	LS	LT	LX	LY	ZT
32	22	M10×1.25	7	32	24	8	32	47	5	55.5	142	144
40	24	M12×1.25	9	36	28	10	36	53	5	62.2	161	163
50	32	M16×1.5	9	45	32	10	45	65	5	77.5	170	175
63	32	M16×1.5	9	50	32	10	50	75	5	87.5	185	190
80	40	M20×1.5	12	63	41	13	63	95	6	110.5	210	215
100	40	M20×1.5	14	71	41	13	75	115	6	128.5	220	230

FAC



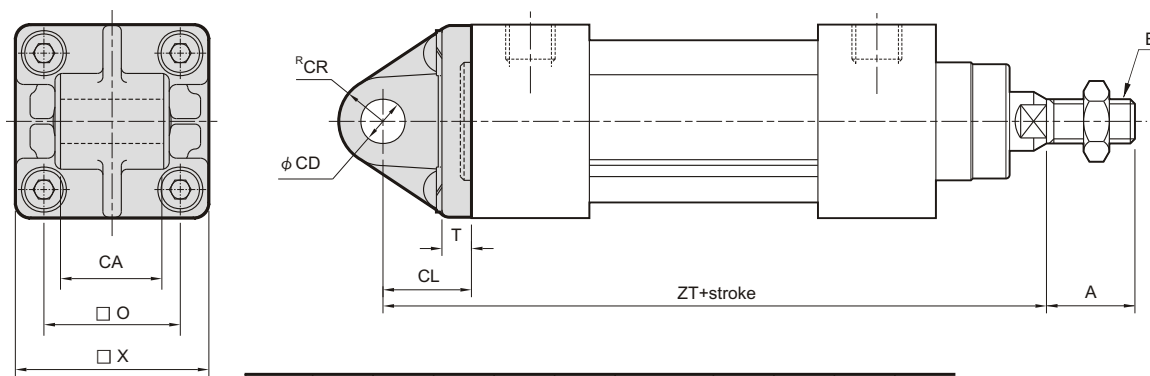
Code Tube I.D.	A	E	F	FB	FD	FF	FR	FU	FX	ZF
32	22	M10 × 1.25	10	7	16	64	32	79	50	108
40	24	M12 × 1.25	10	9	20	72	36	90	52	120
50	32	M16 × 1.5	12	9	25	90	45	110	65	123
63	32	M16 × 1.5	12	9	25	100	50	125	76	137
80	40	M20 × 1.5	16	12	30	126	63	154	94	148
100	40	M20 × 1.5	16	14	35	150	75	180	112	158

FBC



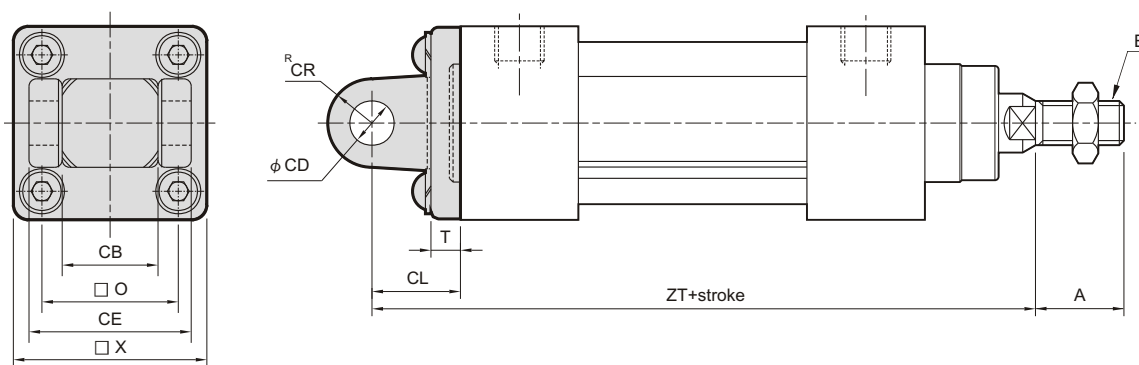
Code Tube I.D.	A	C	E	F	FB	FF	FR	FU	FX	ZF
32	22	26	M10 × 1.25	10	7	64	32	79	50	130
40	24	30	M12 × 1.25	10	9	72	36	90	52	145
50	32	37	M16 × 1.5	12	9	90	45	110	65	155
63	32	37	M16 × 1.5	12	9	100	50	125	76	170
80	40	46	M20 × 1.5	16	12	126	63	154	94	190
100	40	51	M20 × 1.5	16	14	150	75	180	112	205

CA



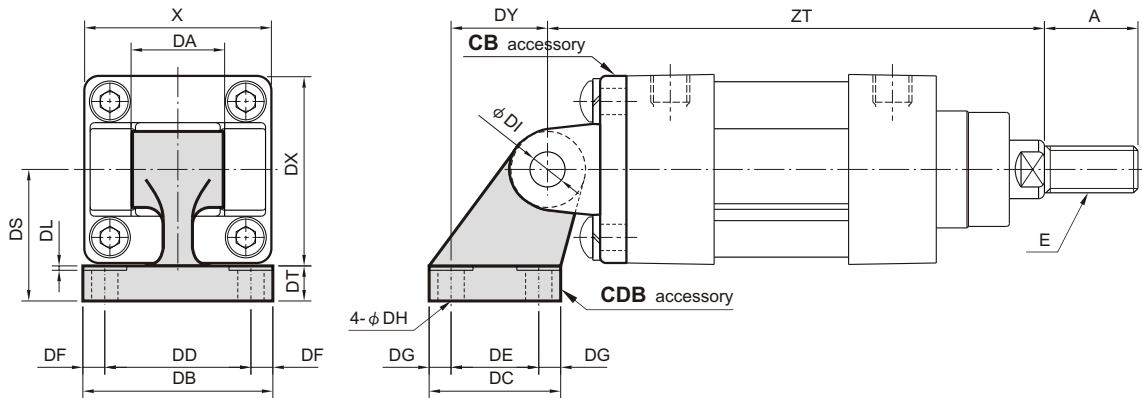
Code Tube I.D.	A	CA	CD	CL	CR	E	O	T	X	ZT
32	22	$26_{-0.3}^{-0.1}$	10^{H9}	22	10.5	M10×1.25	32.5	10	47	142
40	24	$28_{-0.3}^{-0.1}$	12^{H9}	25	12	M12×1.25	38	9	53	160
50	32	$32_{-0.3}^{-0.1}$	12^{H9}	27	12	M16×1.5	46.5	9	65	170
63	32	$40_{-0.3}^{-0.1}$	16^{H9}	32	18	M16×1.5	56.5	9	75	190
80	40	$50_{-0.3}^{-0.1}$	16^{H9}	36	17	M20×1.5	72	12	95	210
100	40	$60_{-0.3}^{-0.1}$	20^{H9}	41	21	M20×1.5	89	12	112	230

CB



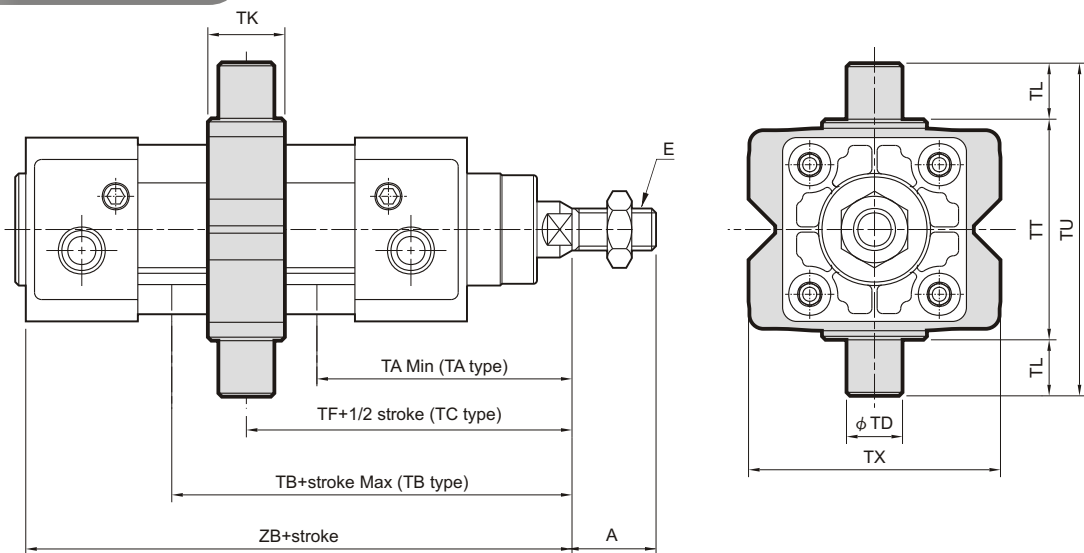
Code Tube I.D.	A	CB	CD	CE	CL	CR	E	O	T	X	ZT
32	22	$26_{+0.1}^{+0.3}$	10^{H9}	45	22	10.5	M10×1.25	32.5	10	47	142
40	24	$28_{+0.1}^{+0.3}$	12^{H9}	52	25	13	M12×1.25	38	9	53	160
50	32	$32_{+0.1}^{+0.3}$	12^{H9}	60	27	13	M16×1.5	46.5	9	65	170
63	32	$40_{+0.1}^{+0.3}$	16^{H9}	70	32	17	M16×1.5	56.5	9	75	190
80	40	$50_{+0.1}^{+0.3}$	16^{H9}	90	36	17	M20×1.5	72	12	95	210
100	40	$60_{+0.1}^{+0.3}$	20^{H9}	110	41	21	M20×1.5	89	12	112	230

CDB CB+Pin (Extra purchase)



Code Tube I.D.	A	DA	DB	DC	DD	DE	DF	DG	DH	DI	DL	DS	DT	DX	DY	E	X	ZT
32	22	26	50	30	38	18	6	6	6.6	10	1.5	32	8	47.5	21	M10×1.25	47	142
40	24	28	53	34	41	22	6	6	6.6	12	1.5	36	10	52.5	24	M12×1.25	53	160
50	32	32	65	45	50	30	7.5	7.5	9	12	1.5	45	12	65.5	33	M16×1.5	65	170
63	32	40	67	50	52	35	7.5	7.5	9	16	1.5	50	12	75.5	37	M16×1.5	75	190
80	40	50	86	60	66	40	10	10	11	16	2.5	63	14	96.5	47	M20×1.5	95	210
100	40	60	96	70	76	50	10	10	11	20	2.5	71	15	113.5	55	M20×1.5	115	230

TA / TB / TC



Code Tube I.D.	A	E	TA	without magnet		magnet		TD	TF	TK	TL	TT	TU	TX
				TB	ZB	TB	ZB							
32	22	M10×1.25	73	73	120	103	150	12 ^{øB}	73	22	12	50	74	58
40	24	M12×1.25	77	88	135	118	165	16 ^{øB}	82.5	28	16	63	95	70
50	32	M16×1.5	86	94	143	124	173	16 ^{øB}	90	32	16	75	107	85
63	32	M16×1.5	89.5	105.5	158	135.5	188	20 ^{øB}	97.5	35	20	90	130	100
80	40	M20×1.5	107	113	174	153	214	20 ^{øB}	110	40	20	110	150	120
100	40	M20×1.5	116.5	123.5	189	163.5	229	25 ^{øB}	120	45	25	132	182	145