

# MSAR series

## STOPPER CYLINDER



### Specification:

Model	MSAR	
Standard type	φ 32-30	1350 g
	φ 50-30	2150 g
	φ 80-30	9000 g
Acting type	Single acting (Spring extended)	
	Stopper with roller	
Medium	Air	
Operating pressure range	2-9.9kgf/cm <sup>2</sup>	
Proof pressure	15 kgf/cm <sup>2</sup>	
Ambient temperature	- 5~ + 60°C (No freezing)	
Lubrication	Not required	
Cushion	With rubber cushion pad	
Magnet	Without magnet	

### Order example:

**MSAR – 32 – 30 – BSP**

MODEL

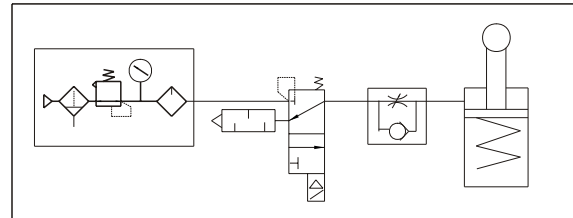
BORE SIZE  
(mm)

STROKE

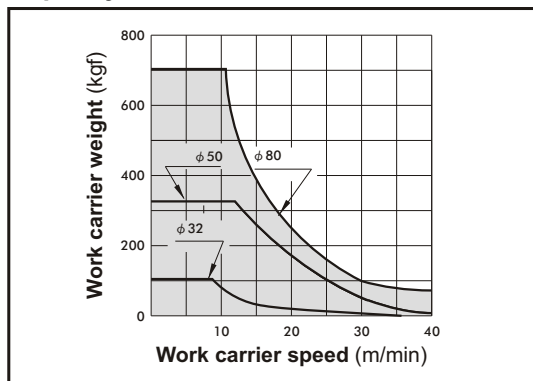
PORT THREAD  
Blank: PT thread  
**BSP**: BSP thread  
NPT: NPT thread

### Piping diagram:

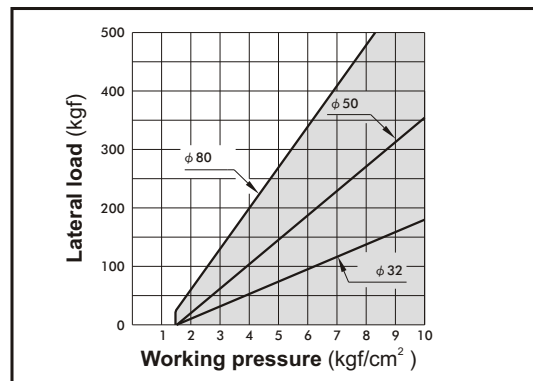
Single acting



### MSAR Capacity



### MSAR Normal lateral load

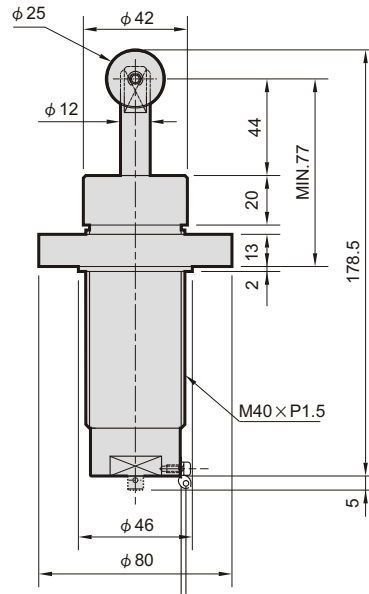
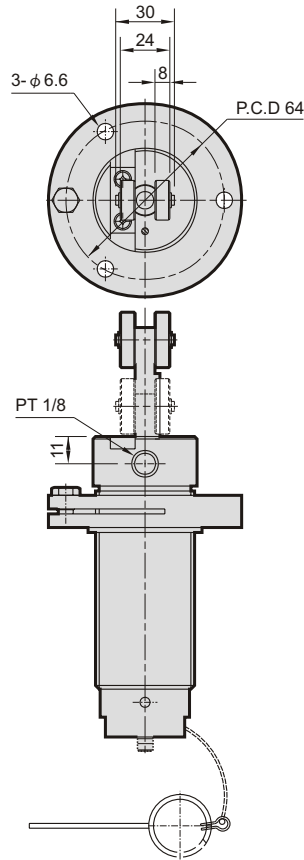


# MSAR Dimensions $\phi 32\sim\phi 80$

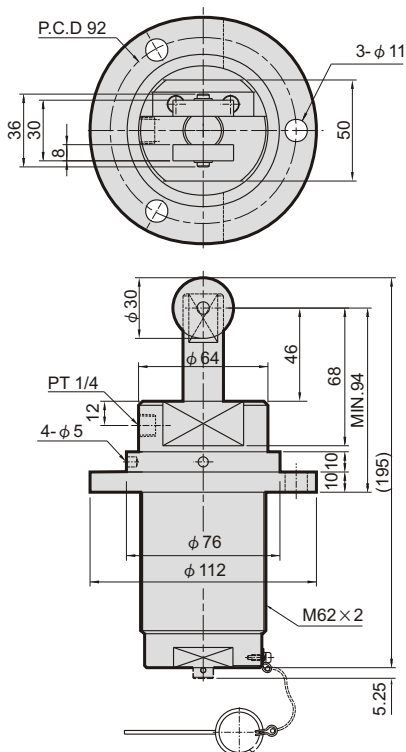
## STOPPER CYLINDER



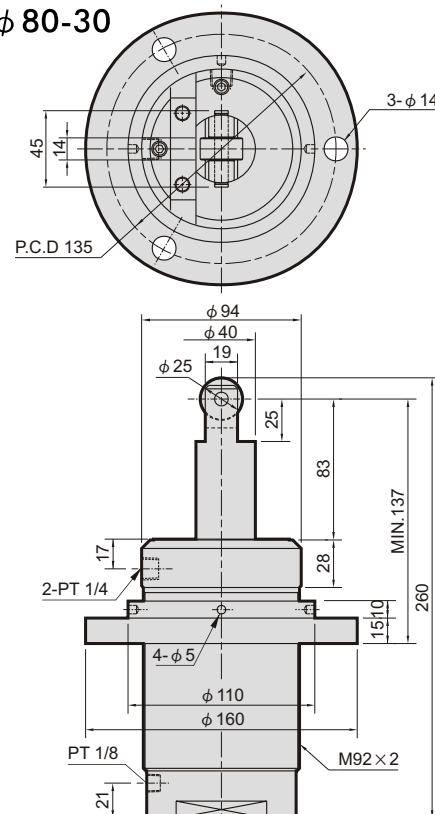
MSAR  $\phi 32\sim 30$



MSAR  $\phi 50\sim 30$



MSAR  $\phi 80\sim 30$



※Roller is made of stainless steel.