

MSB* series

STOPPER CYLINDER

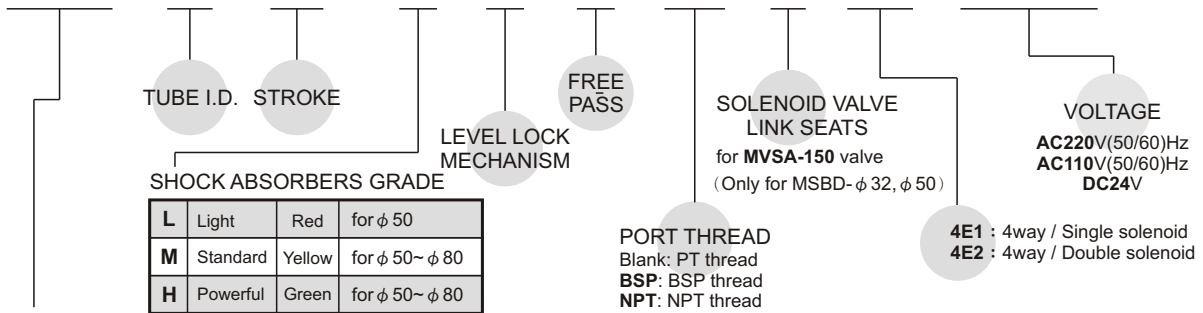


Specification:

Model	MSB*	
Medium	Air	
Operating pressure range	2~9kgf/cm ²	
Proof pressure	15kgf/cm ²	
Ambient temperature	-5~+60°C (No freezing)	
Lubrication	Not required	
Cushion	With rubber cushion pad	
Sensor switch	RCA for φ 50	RCB, RCE, RCE1
Sensor switch holder	HS	

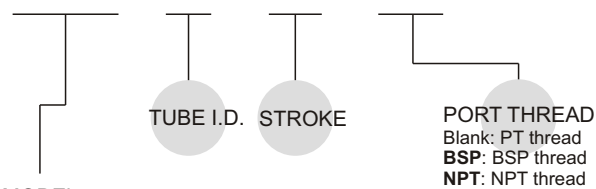
Order example:

MSBD - 32 - 20 - (L - K - L) - BSP - V - 4E2 - AC110



Type of cylinder	Operation type	Standard stroke	Magnet	Sensor switch	Weight
MSBD	Double acting with spring	φ 32-20	○	RCE, RCE1	740 g
		φ 50-30	○	RCA	1800 g
	Shockless stopper	φ 63-30	○	RCB, RCE, RCE1	3680 g
		φ 80-40	○		6820 g

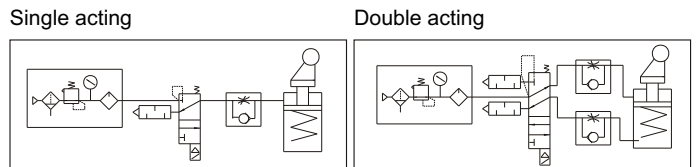
MSBR - 40 - 30 - BSP



MODEL

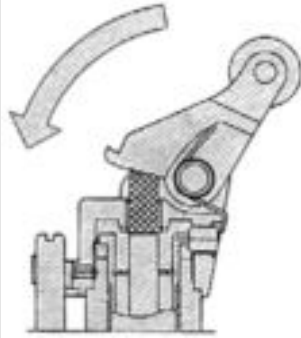
Type of cylinder	Operation type	Standard stroke	Magnet	Sensor switch	Weight
MSBR	Single acting (Spring extended)	φ 20-20	○	RCB	250 g
		φ 32-20	○	RCE, RCE1	740 g
	Stopper with roller	φ 40-30	×	—	1400 g
		φ 50-30	×	—	1800 g
MSBS	Double acting	φ 20-10	○	RCB	192 g
		φ 32-20	○	RCE, RCE1	720 g
	Direct stopper	φ 50-30	○	RCA	1850 g

Piping diagram:



Pallet control stopper type

Shock absorber built-in



Absorbs the shock when the carried object stops, and stops the object softly on the right Position. There is an adapter between the lever and shock absorber, which straightens the inclined load on the lever and transmits it to the lever.

Lever lock mechanism

With this optional feature, the carried object is not pushed back by the lever. Also the Object returns to the right position after being lifted up. The lock is released by supplying air and lowering the rod.

Light aluminum

Main cylinder part, shock absorber, and roller lever are integrated in the aluminum die cast body. The best cylinder for the light and space-saving conveyor line.

Stopper mechanism

Guide bar equipped for fixing the direction of the roller lever.

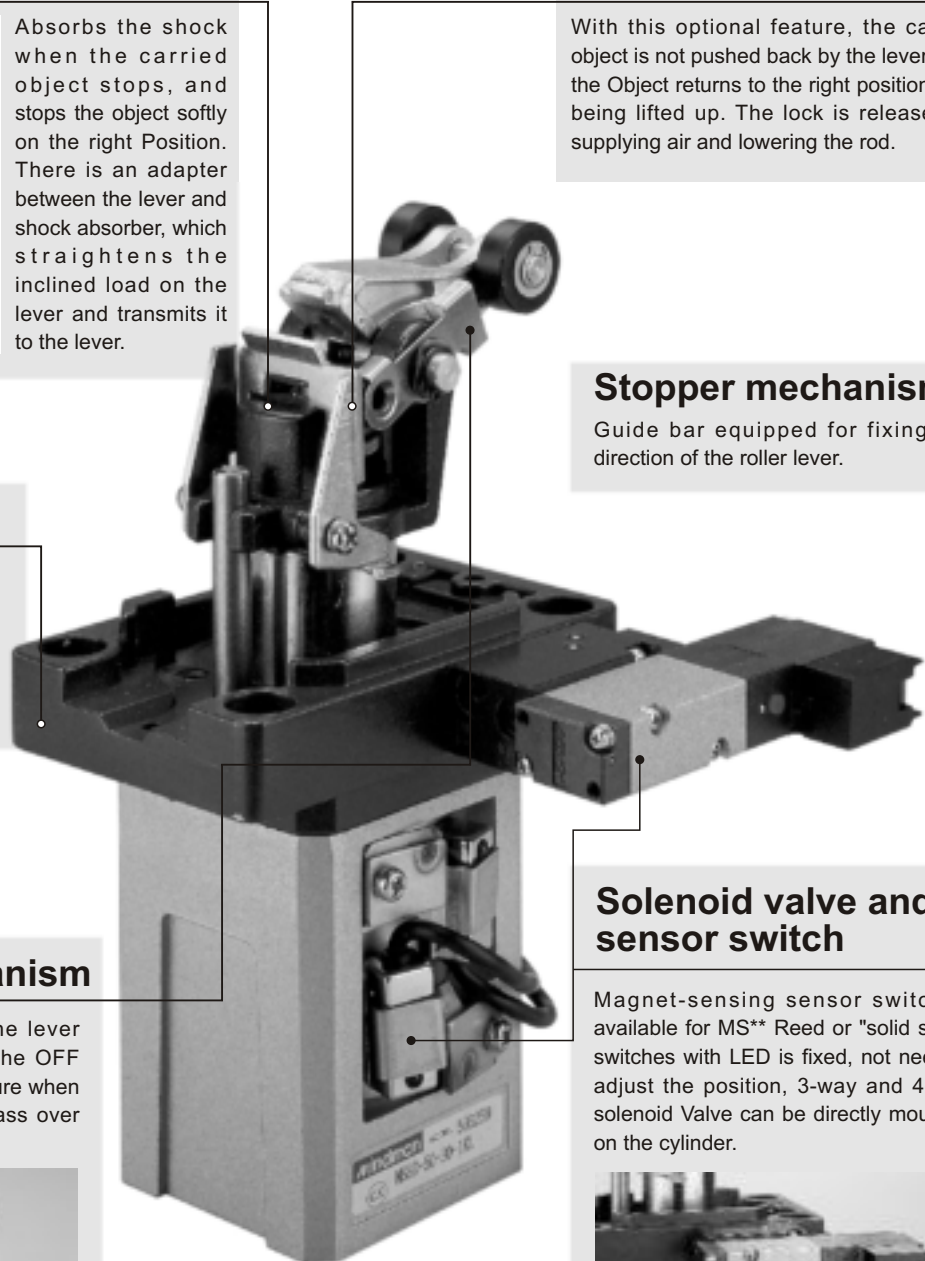
Free pass mechanism

Setting the pass-plate on the lever holder, the lever is fixed in the OFF position. Use the optional feature when the carried object needs to pass over the cylinder.



Solenoid valve and sensor switch

Magnet-sensing sensor switch is available for MS** Reed or "solid state" switches with LED is fixed, not need to adjust the position, 3-way and 4-way solenoid Valve can be directly mounted on the cylinder.



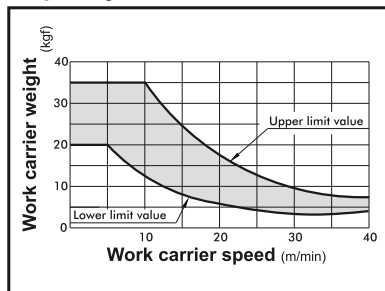
MSBD Capacity $\phi 32 \sim \phi 80$

STOPPER CYLINDER



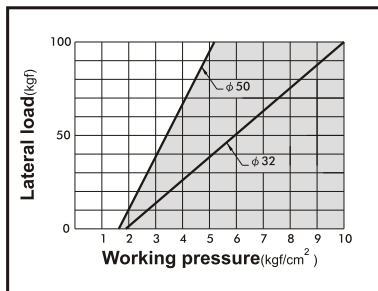
MSBD $\phi 32-20$

Capacity



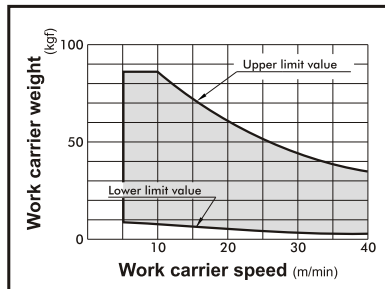
MSBD-series

Normal lateral load

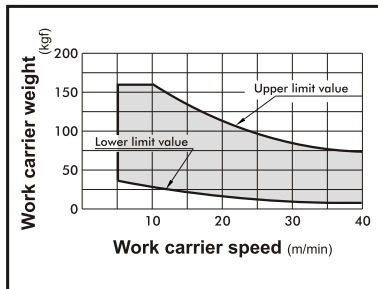


MSBD $\phi 50-30$

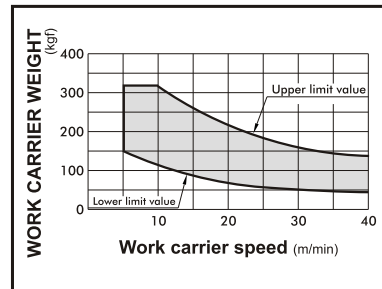
Capacity Light weight type



Capacity Standard type



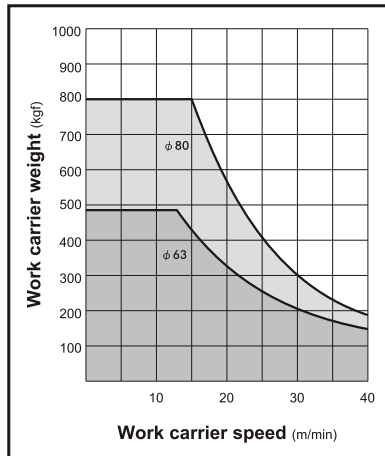
Capacity Heavy duty type



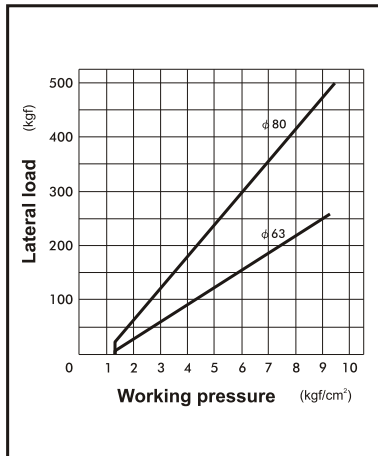
MSBD $\phi 63-30$

MSBD $\phi 80-40$

Capacity



Normal lateral load

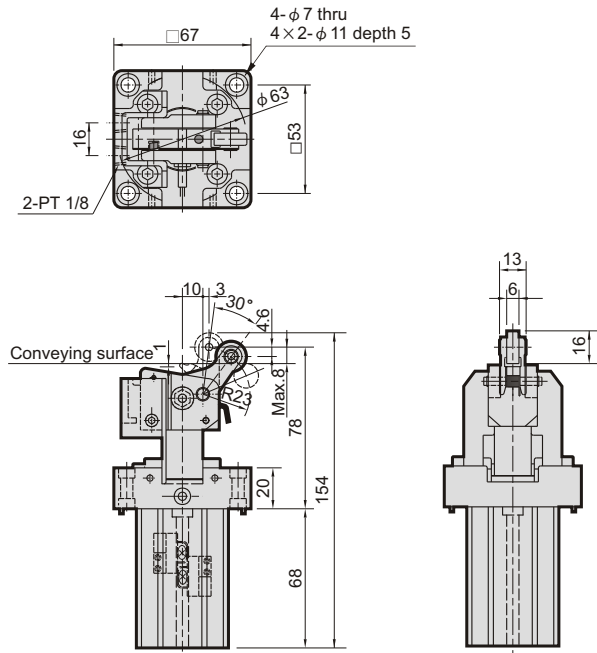


MSBD Dimensions $\phi 32, \phi 50$

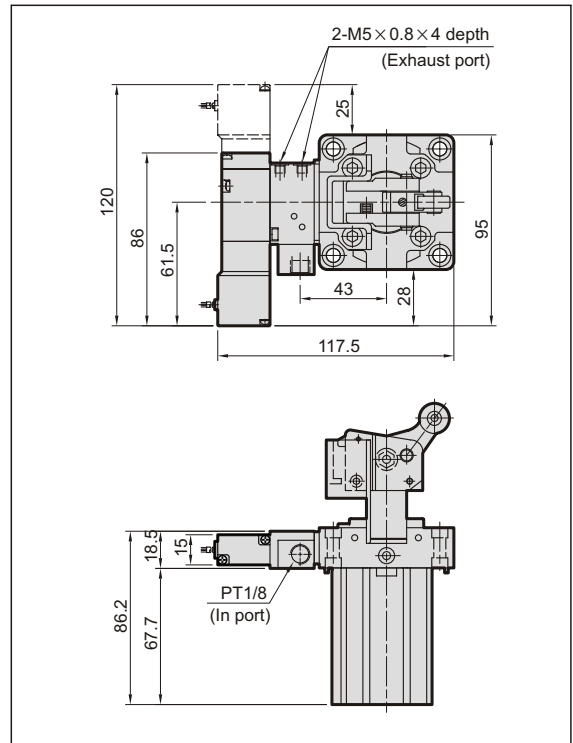
STOPPER CYLINDER



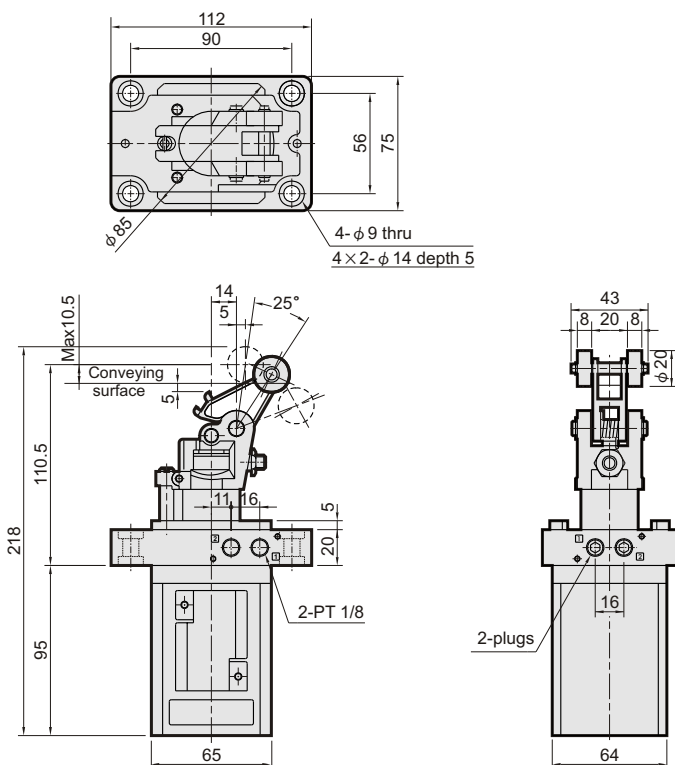
MSBD $\phi 32-20$



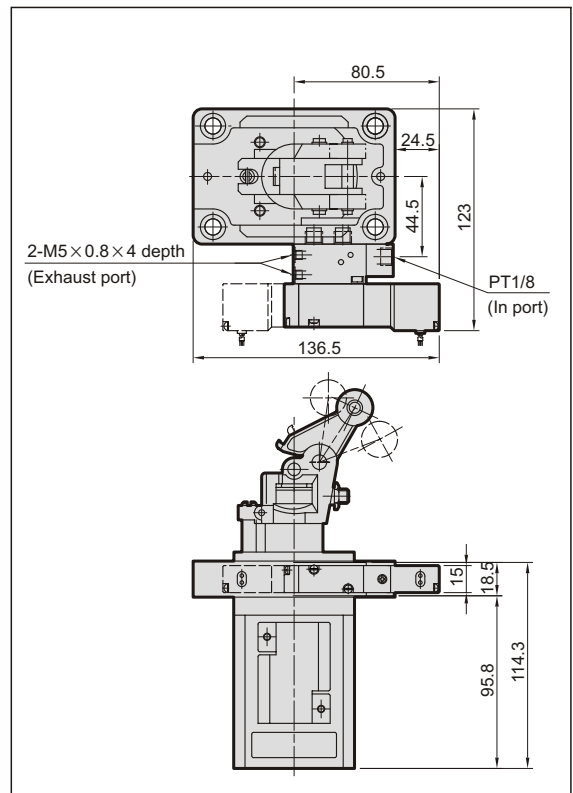
MSBD $\phi 32-20-V$



MSBD $\phi 50-30$



MSBD $\phi 50-30-V$



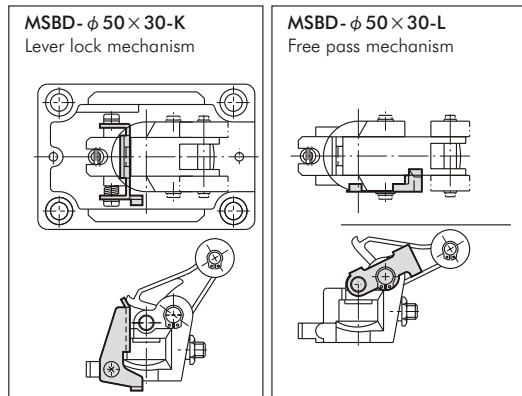
MSBD Dimensions $\phi 50$, $\phi 63$, $\phi 80$

STOPPER CYLINDER



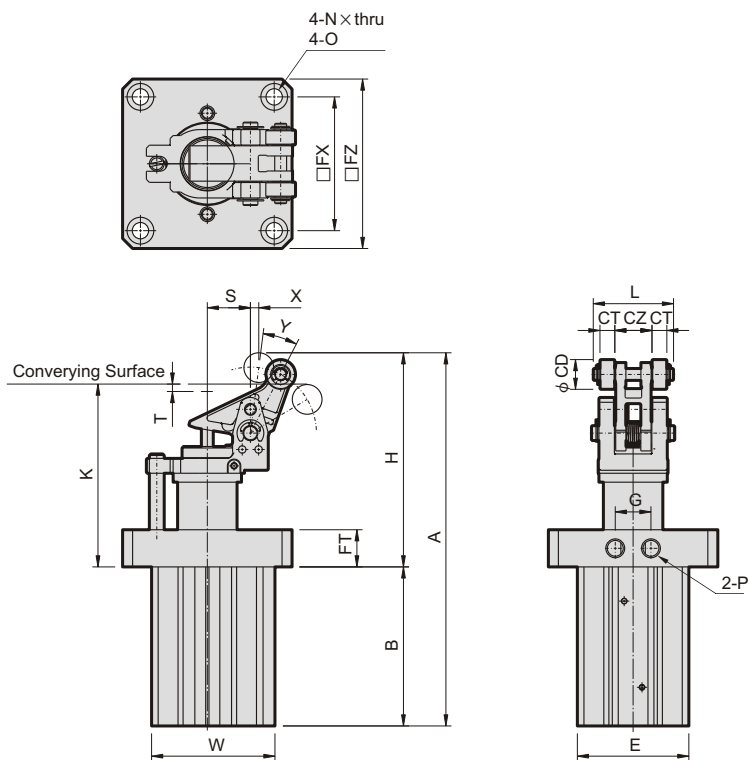
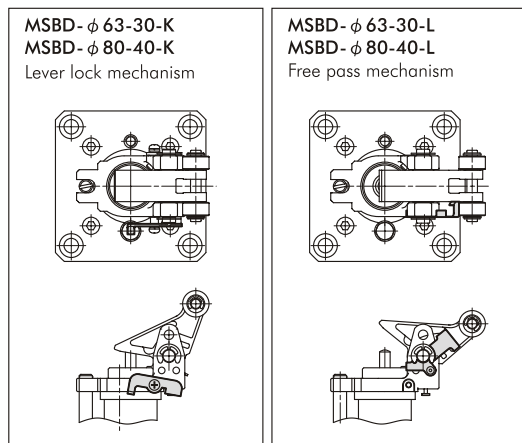
MSBD $\phi 50-30$

Option accessories



MSBD $\phi 63-30$ MSBD $\phi 80-40$

Option accessories



Dimensional table

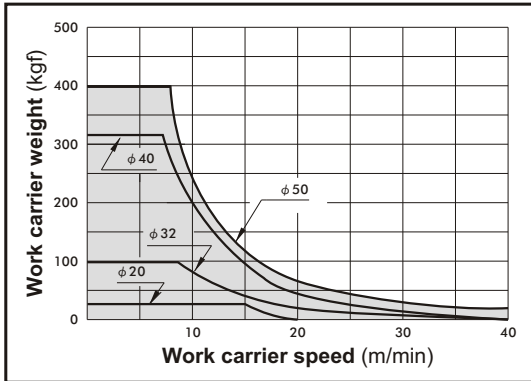
Tube I.D.	Stroke	A	B	CD	CT	CZ	E	FT	FX	FZ	G	H	K	L	N	O	P	S	T	W	X	Y
63	30	251	107	20	10	25	75	25	90	114	24	144	123	54	$\phi 11$	18 \times 6 depth	PT 1/4	29	5	83	6	20°
80	40	322.5	145	25	12	30	94	25	110	140	24	177.5	150	63	$\phi 13$	20 \times 6 depth	PT 1/4	36	4	102	8	22°

MSB* Capacity $\phi 20 \sim \phi 50$

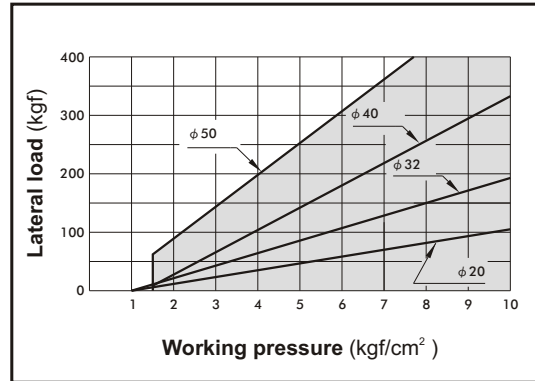
STOPPER CYLINDER



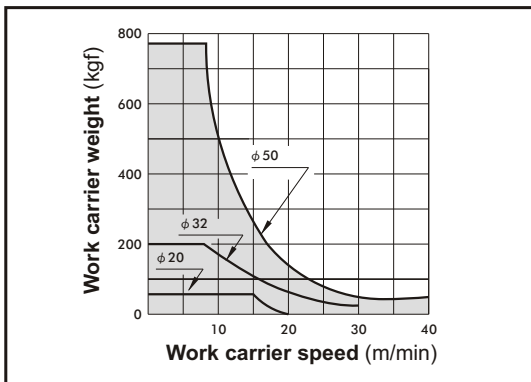
MSBR Capacity



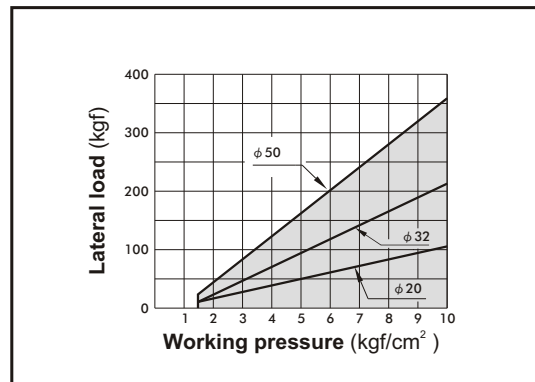
MSBR Normal lateral load



MSBS Capacity



MSBS Normal lateral load

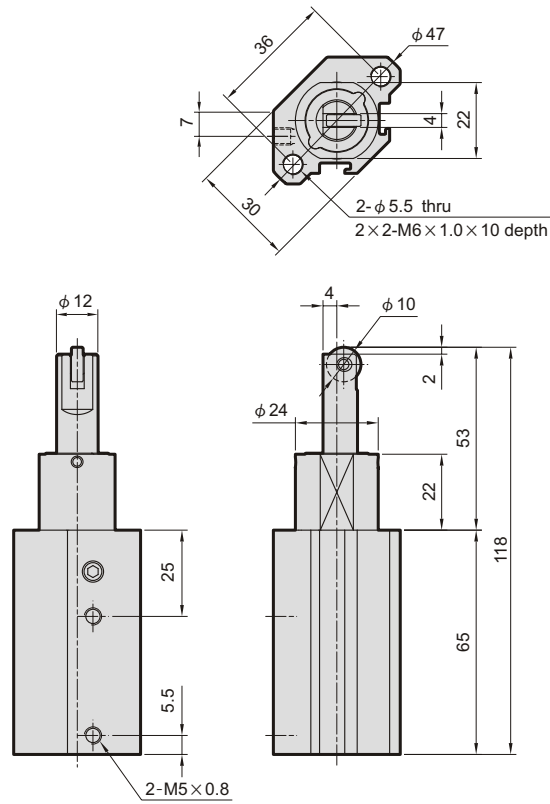


MSBR Dimensions $\phi 20 \sim \phi 32$

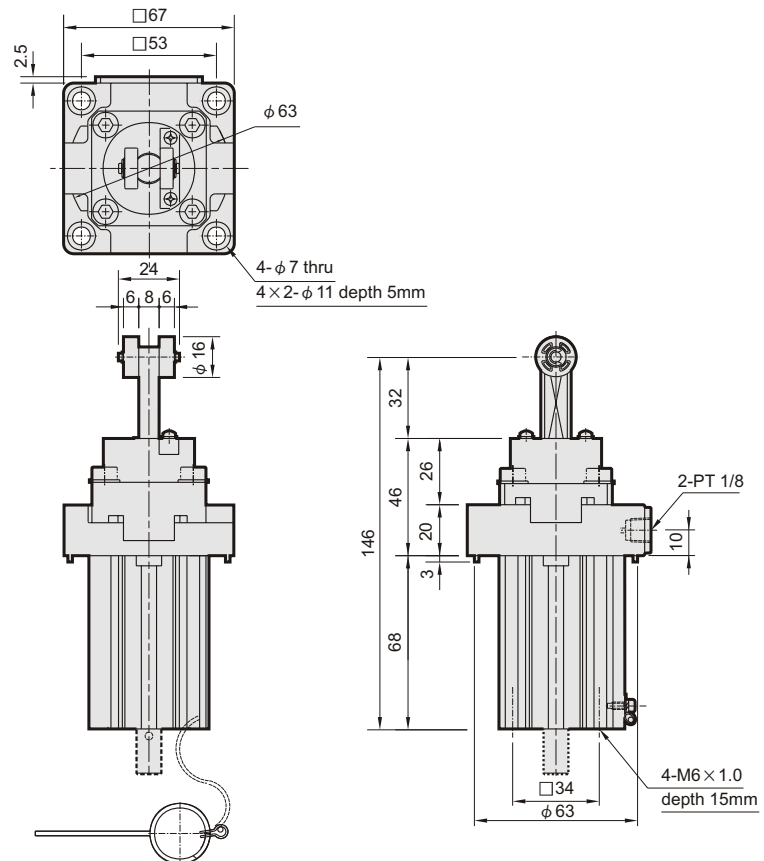
STOPPER CYLINDER



MSBR $\phi 20-20$



MSBR $\phi 32-20$

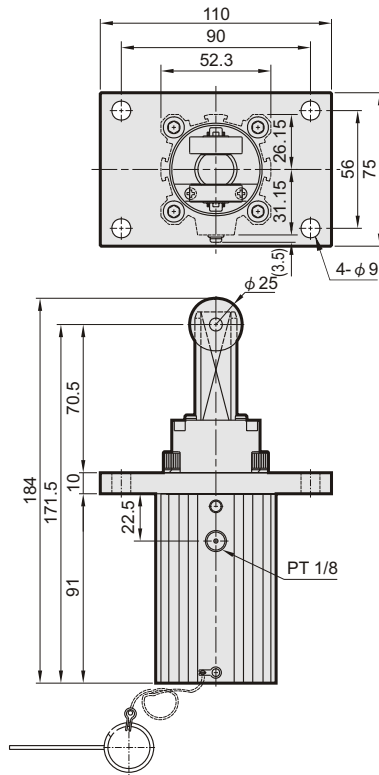


MSBR Dimensions $\phi 40 \sim \phi 50$

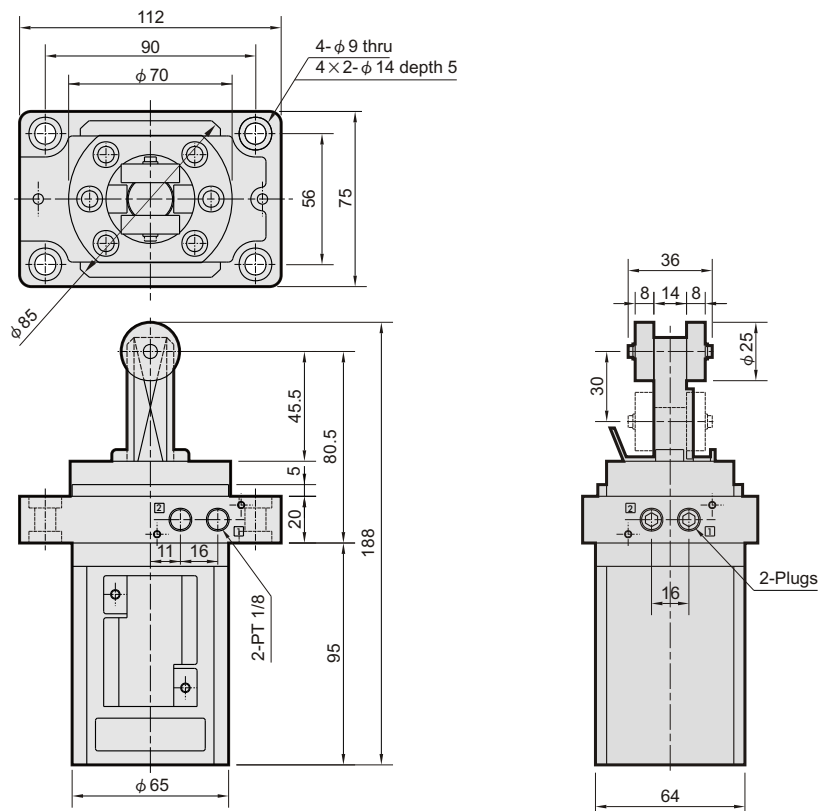
STOPPER CYLINDER



MSBR $\phi 40-30$



MSBR $\phi 50-30$

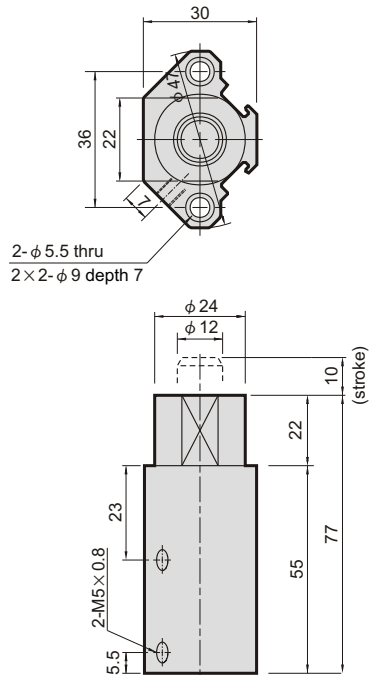


MSBS Dimensions $\phi 20 \sim \phi 50$

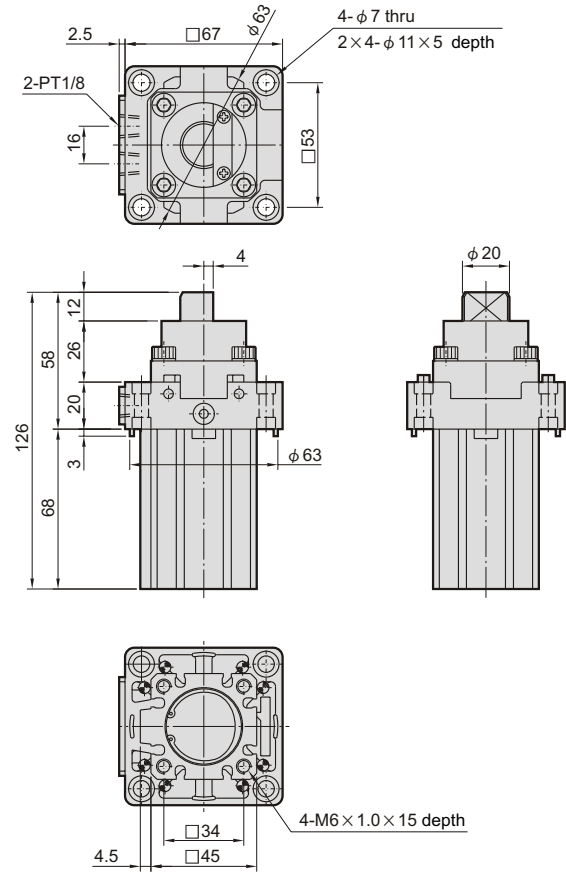
STOPPER CYLINDER



MSBS $\phi 20-10$



MSBS $\phi 32-20$



MSBS $\phi 50-30$

