

MSL* series

STOPPER CYLINDER



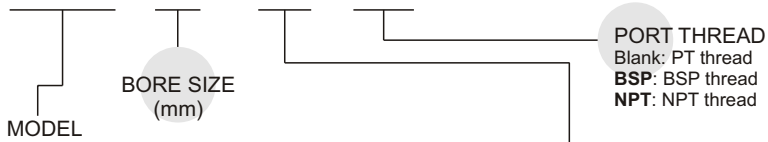
Specification:

Model	MSL*
Medium	Air
Operating pressure range	2-9.9 kgf/cm ²
Proof pressure	15 kgf/cm ²
Ambient temperature	-5~+60°C (No freezing)
Lubrication	Not required
Cushion	With rubber cushion pad

Model	Magnet	Sensor switch	Weight
MSLP-P-φ 32-40	With magnet	RCE, RCE1	840 g
MSLP-CP-φ 32-40	With magnet	RCE, RCE1	840 g
MSLL-φ 25-30	Without magnet	—	1850 g
MSLL-φ 40-30	With magnet	RCA	4550 g
MSLD-φ 50-50	With magnet	RCB,RCE,RCE1	8750 g

Order example:

MSLP — 32 — 40 — BSP



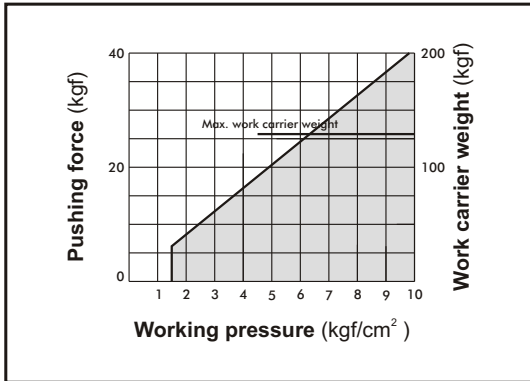
	Type of cylinder	Operation type
MSLP		Double acting Direct stopper
MSLL		Double acting without spring Stopper with roller
		Option: Double acting with spring Stopper with roller
MSLD		Double acting with spring Shockless stopper

MSL* Capacity $\phi 32 \sim \phi 50$

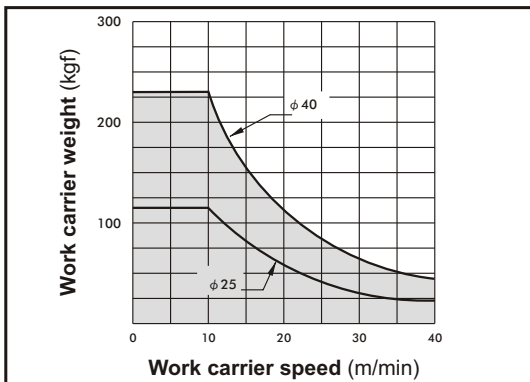
STOPPER CYLINDER



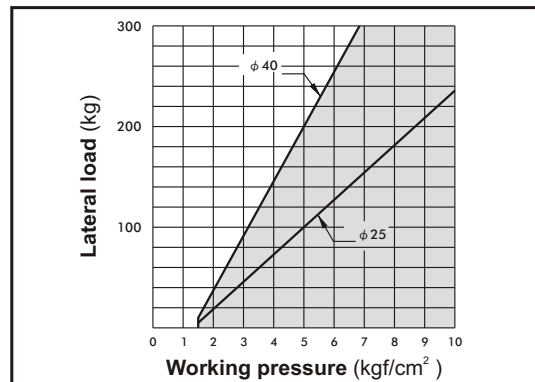
MSLP-* $\phi 32-40$ Capacity



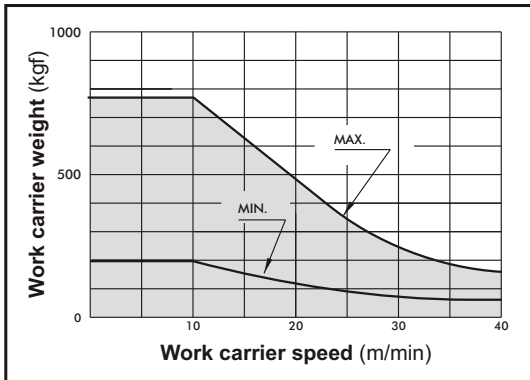
MSLL Capacity



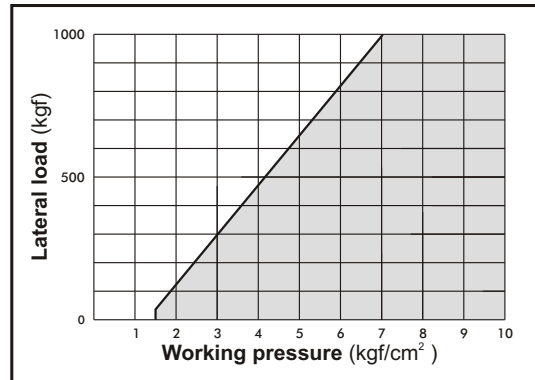
MSLL Normal lateral load



MSLD $\phi 50$ Capacity



MSLD $\phi 50$ Normal lateral load

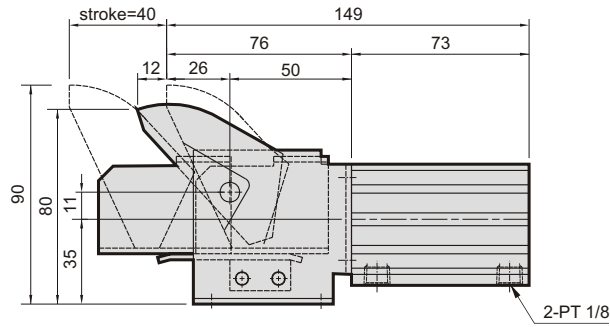
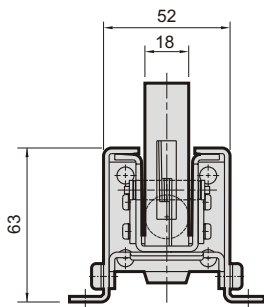


MSLP Dimensions $\phi 32$

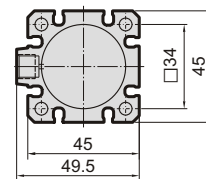
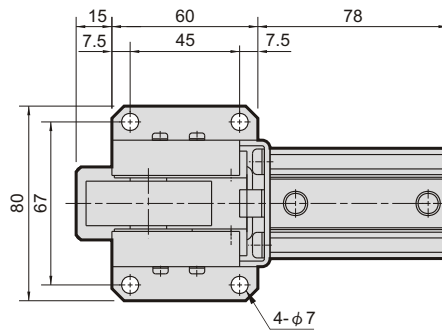
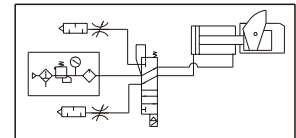
STOPPER CYLINDER



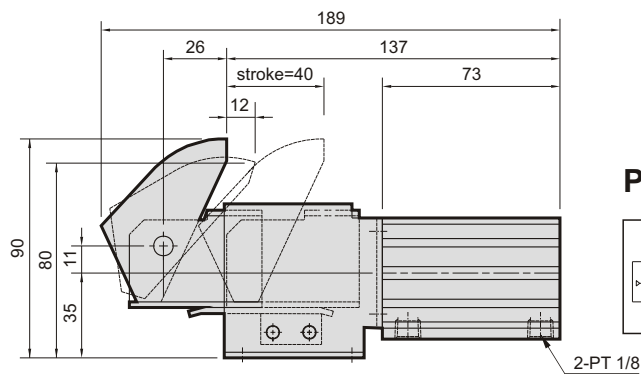
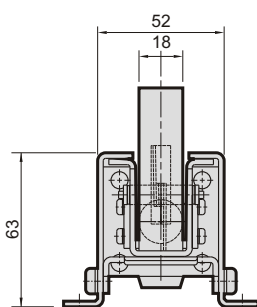
MSLP-P $\phi 32-40$



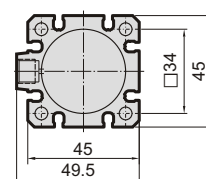
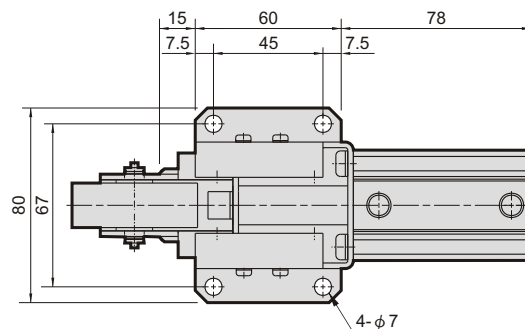
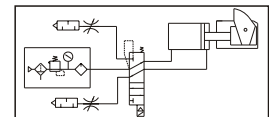
Piping diagram:



MSLP-CP $\phi 32-40$



Piping diagram:

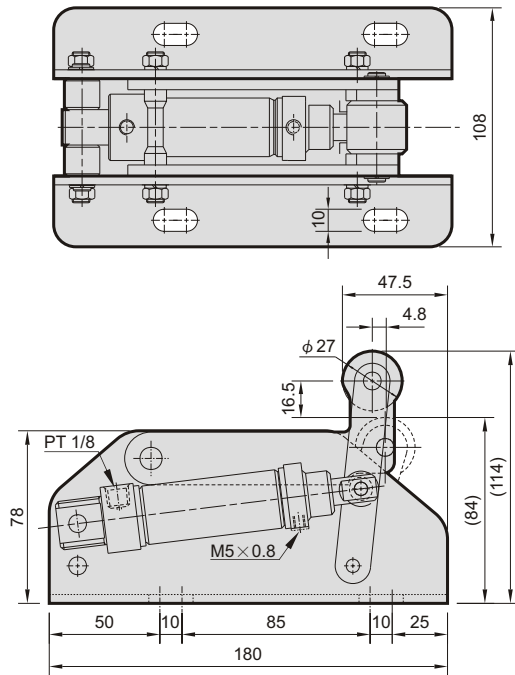


MSLL Dimensions $\phi 25, \phi 40$

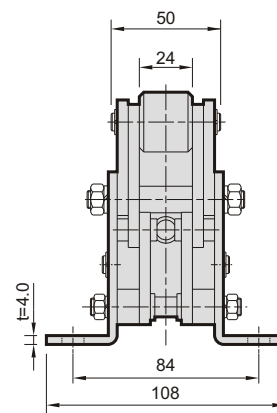
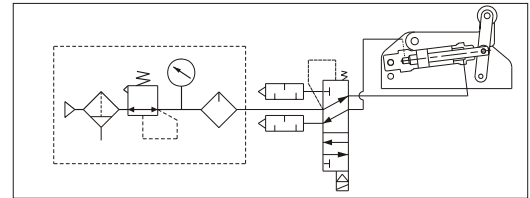
STOPPER CYLINDER



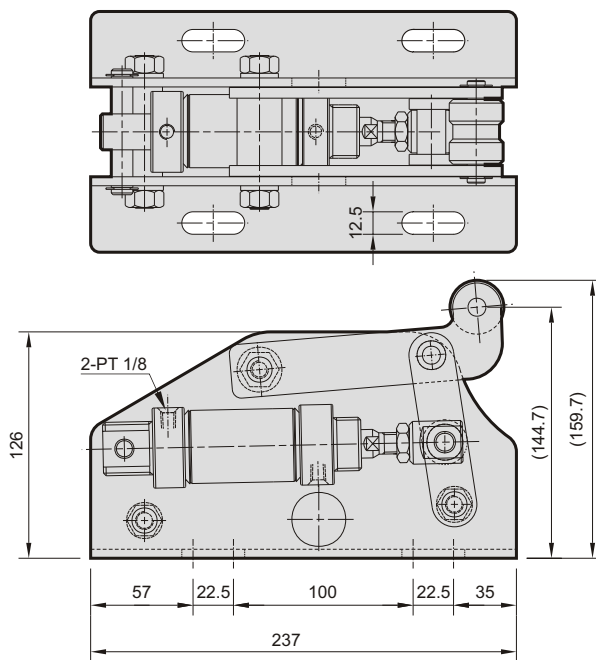
MSLL $\phi 25-30$



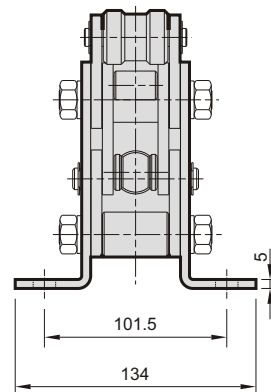
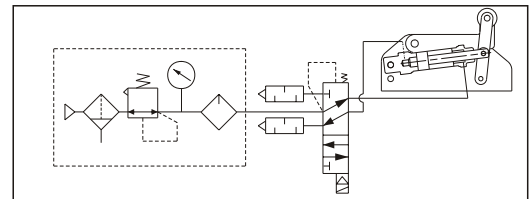
Piping diagram:



MSLL $\phi 40-30$



Piping diagram:

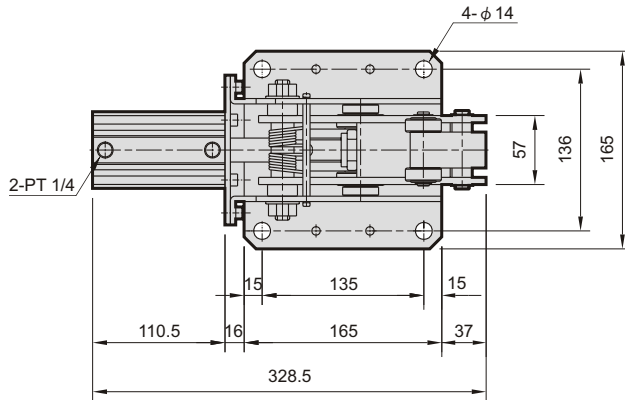


MSLD Dimensions $\phi 50$

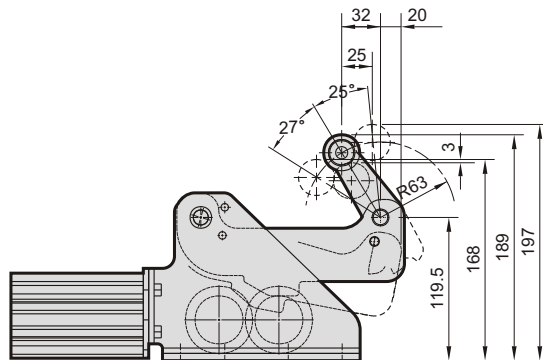
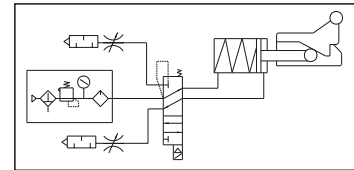
STOPPER CYLINDER



MSLD $\phi 50-50$



Piping diagram:



※Roller is made of rolled steel.

