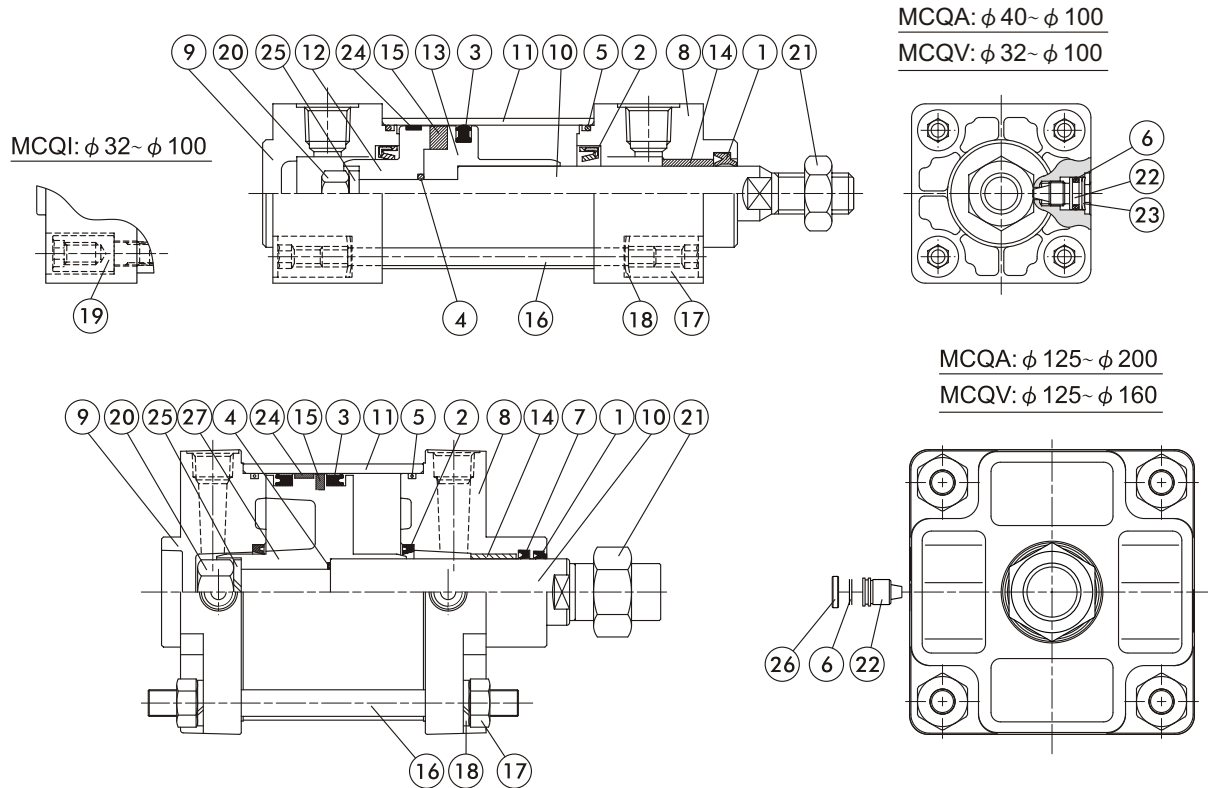


# Inside Structure & Parts List

## STANDARD CYLINDERS



No.	Part name	Material	Q'y	Note	Maintenance-pack inclusion		
					MCQA	MCQV	MCQP
01	Rod packing	NBR	1		●	●	●
02	Cushion packing	NBR	2		●	●	●
03	Piston packing	NBR	1	$\phi 125 \sim \times 2$	●	●	●
04	Piston gasket	NBR	1		●	●	●
05	Cover ring	NBR	2		●	●	●
06	Needle valve packing	NBR	1		●	●	●
07	Rod packing	NBR	2	$\phi 125 \sim$	●	●	●
08	Rod cover	Aluminum alloy	1				
09	Head cover	Aluminum alloy	1				
10	Piston rod	Carbon steel	1				
11	Cylinder tube	Aluminum alloy	1				
12	Piston-H	Aluminum alloy	1	$\sim \phi 100$			
13	Piston-R	Aluminum alloy	1	$\sim \phi 100$			
14	Rod bush	Copper alloy	1				
15	Magnet ring	Magnet material	1				
16	Tie rod	Carbon steel	4	MCQA/V			
17	Tie rod nut	Carbon steel	8	MCQA/V			
18	Tie rod washer	Carbon steel	8	MCQA/V			
19	Tie screw	Carbon steel	8	MCQI			
20	Piston nut	Carbon steel	1				
21	Rod front nut	Carbon steel	2				
22	Needle valve	Copper alloy	1				
23	Needle valve washer	Spring steel	1				
24	Wear ring	Teflon	1				
25	Piston rod washer	Carbon steel	1	$\phi 125 \sim$			
26	Needle valve washer	Aluminum alloy	1	$\phi 125 \sim$			
27	Piston	Aluminum alloy	1	$\phi 125 \sim$			