

MACP500 series

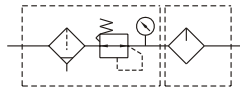
AIR UNITS (F.R.L.UNIT)



Mindman



Symbol:



Specification:

Model	MACP500	
Components	MAFR500, MAL500	
Bore No.	20A	25A
Port size	PT 3/4	PT 1
Medium	Air	
Operating pressure range	0~9.9 kgf/cm ² (0~0.99 MPa)	
Proof pressure	15 kgf/cm ² (1.5 MPa)	
Regulation pressure range	0.5~8.5 kgf/cm ² (0.05~0.85 MPa)	
Ambient temperature	-5~+60°C (No freezing)	
Filtration	40 μm	
Lubricating oil capacity	175c.c	
Min. Flow for oil drip	190 ℓ/min	
Recommended lubricating oil	Turbine oil ISO-VG32	
Attachment	Pressure gauge, bracket	
Weight	3560 g	

※ Standard Unit contains semi-auto-drain function when operating pressure below 0.5kgf/cm².

Order example:

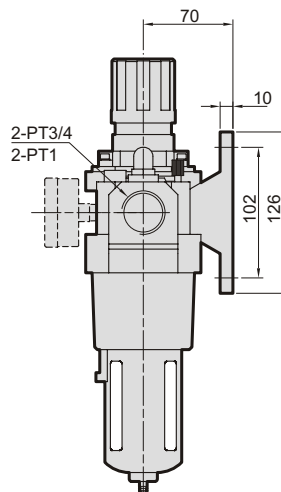
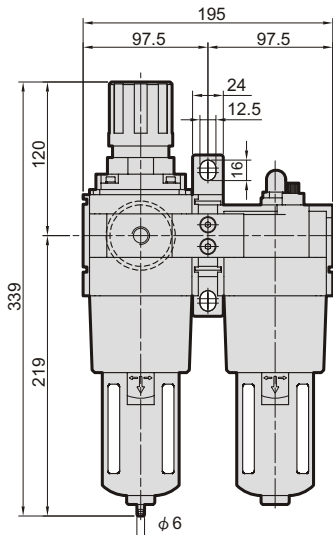
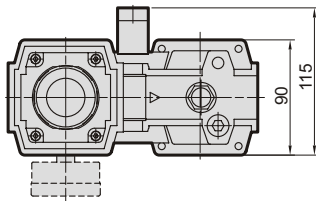
MACP500 — 20A — □ — BSP

MODEL

BORE SIZE
20A: PT 3/4"
25A: PT 1"

D: auto drain valve
(MADV 500)

PORT THREAD
Blank: PT thread
BSP: BSP thread
NPT: NPT thread



Flow feature:

