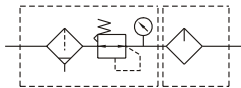


# MACT400 series

AIR UNITS (F.R.L.UNIT)



Symbol:



Order example:

MACT400 - 8A -  - BSP

MODEL

BORE SIZE

8A: PT 1/4

10A: PT 3/8

15A: PT 1/2

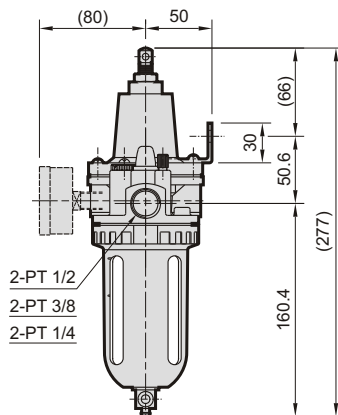
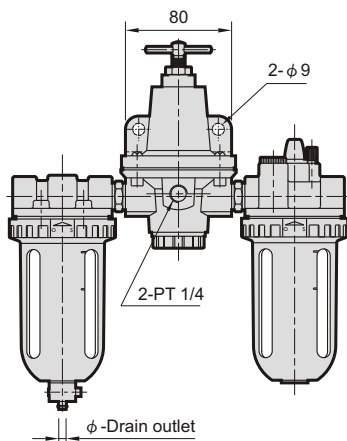
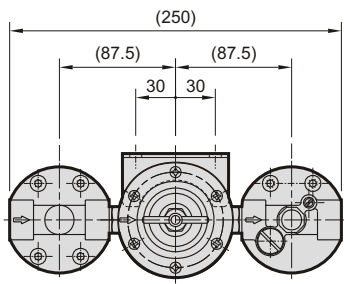
D: auto drain valve (FMRF 300)

PORT THREAD

Blank: PT thread

BSP: BSP thread

NPT: NPT thread



## Specification:

Model	MACT400		
Components	MAF400, MAR400, MAL400		
Bore No.	8A	10A	15A
Port size	PT 1/4	PT 3/8	PT 1/2
Medium	Air		
Operating pressure range	0~9.9 kgf/cm <sup>2</sup> (0~0.99 MPa)		
Proof pressure	15 kgf/cm <sup>2</sup> (1.5 MPa)		
Effective orifice	24mm <sup>2</sup>	35mm <sup>2</sup>	40mm <sup>2</sup>
Regulation pressure range	0.5~8.5 kgf/cm <sup>2</sup> (0.05~0.85 MPa)		
Ambient temperature	-5~+60°C (No freezing)		
Filtration	Standard: 40 μm Option: 5 μm		
Lubricating oil capacity	200c.c		
Min. Flow for oil drip	50 ℓ/min	200 ℓ/min	400 ℓ/min
Recommended lubricating oil	Turbine oil ISO-VG32		
Attachment	Pressure gauge, bracket		
Weight	2000 g		

## Flow feature:

