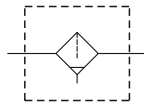


MAF401 series

AIR UNITS (Filter)



Symbol:



Order example:

MAF401 - 8A - □ - B - BSP

MODEL

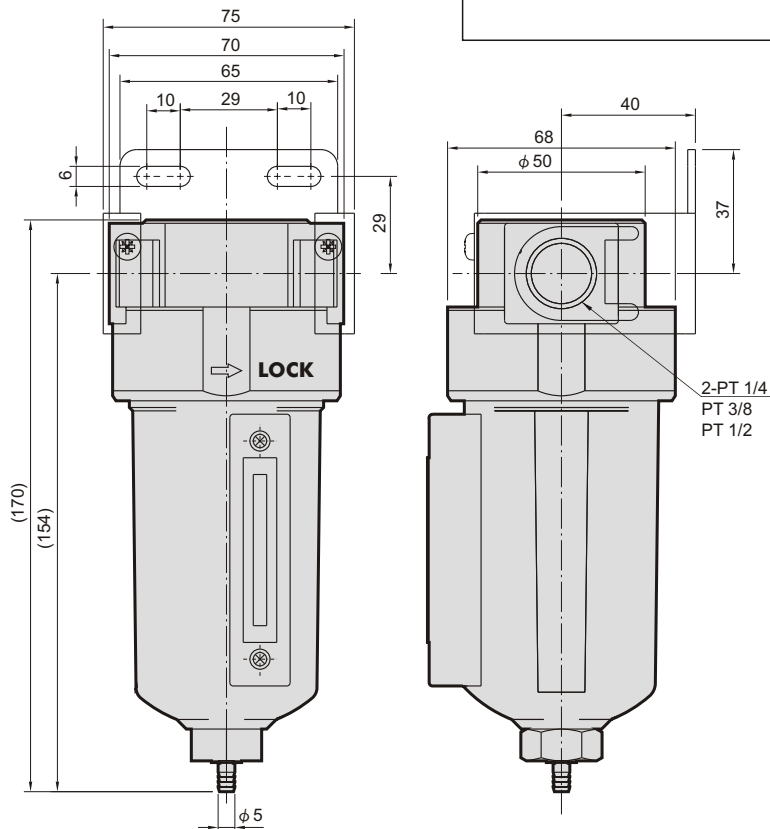
C Type Bracket

D: auto drain valve (FMRF300)

PORT THREAD
Blank: PT thread
BSP: BSP thread
NPT: NPT thread

BORE SIZE

8A: PT 1/4
10A: PT 3/8
15A: PT 1/2



Specification:

Model	MAF401		
Bore No.	8A	10A	15A
Port size	PT 1/4	PT 3/8	PT 1/2
Medium	Air		
Operating pressure range	0~15 kgf/cm ² (0~1.5 MPa)		
Proof pressure	20 kgf/cm ² (2 MPa)		
Ambient temperature	-5~+60°C (No freezing)		
Filtration	Standard: 40 μm Option: 5 μm		
Weight	480 g		

※ Standard Unit contains semi-auto-drain function when operating pressure below 0.5kgf/cm².

Option accessories

C type bracket

