

# MAFR300L series

AIR UNITS (F.R.UNIT)

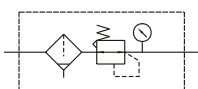


- Longer case for adapting high efficient auto drain valve.

## Specification:

Model	MAFR300L	
Bore No.	8A	10A
Port size	Rc(PT) 1/4	Rc(PT) 3/8
Medium	Air	
Operating pressure range	0~9.9 kgf/cm <sup>2</sup> (0~0.99 MPa)	
Proof pressure	15 kgf/cm <sup>2</sup> (1.5 MPa)	
Effective orifice	32 mm <sup>2</sup>	34 mm <sup>2</sup>
Regulation pressure range	0.5~8.5 kgf/cm <sup>2</sup> (0.05~0.85 MPa)	
Ambient temperature	-5~+60°C (No freezing)	
Filtration	Standard: 5 μm Option: 40 μm	
Attachment	Pressure gauge, bracket	
Weight	452 g	

## Symbol:



## Order example:

MAFR300L — 8A —  — BSP

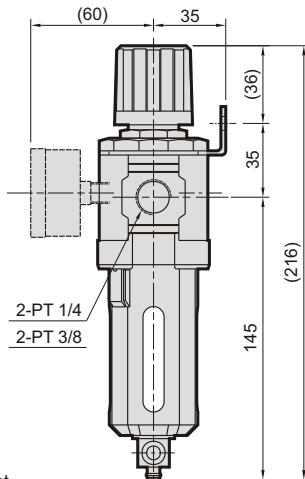
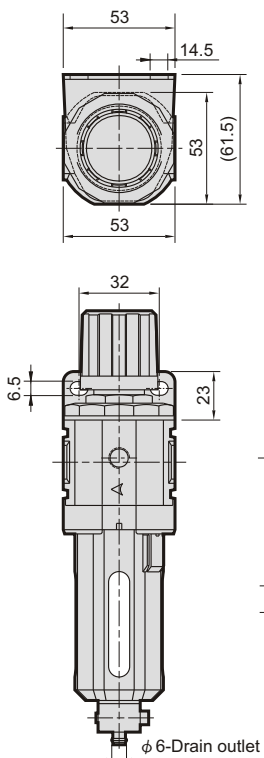
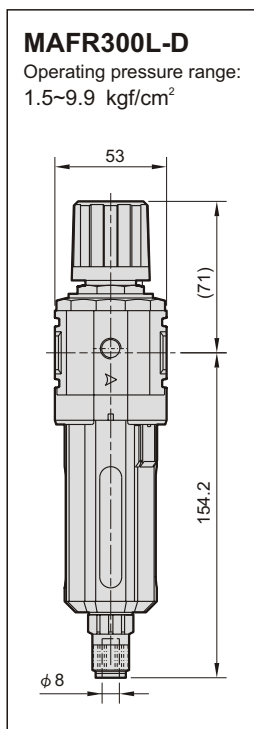
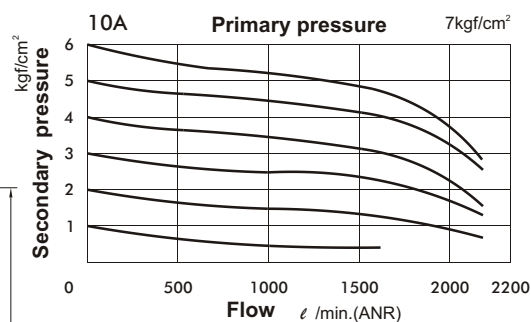
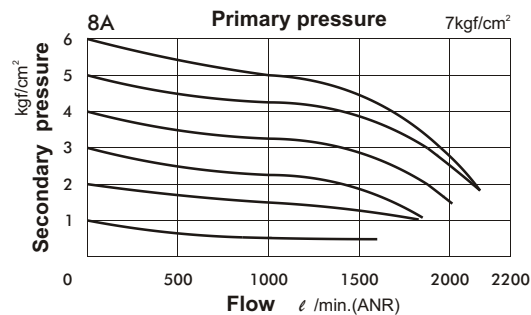
MODEL

BORE SIZE  
8A: PT 1/4  
10A: PT 3/8

D: auto drain valve  
(FMRF 300)

PORT THREAD  
Blank: PT thread  
BSP: BSP thread  
NPT: NPT thread

## Flow feature:



※ Standard Unit contains semi-auto-drain function when operating pressure below 0.5kgf/cm<sup>2</sup>.