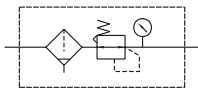


MAFR500 series

AIR UNITS (F.R.UNIT)



Symbol:



Specification:

Model	MAFR500	
Bore No.	20A	25A
Port size	PT 3/4	PT 1
Medium	Air	
Operating pressure range	0~9.9 kgf/cm ² (0~0.99 MPa)	
Proof pressure	15 kgf/cm ² (1.5 MPa)	
Regulation pressure range	0.5~8.5 kgf/cm ² (0.05~0.85 MPa)	
Ambient temperature	-5~+60°C (No freezing)	
Filtration	40 μm	
Attachment	Pressure gauge, bracket	
Weight	2037 g	

※ Standard Unit contains semi-auto-drain function when operating pressure below 0.5kgf/cm².

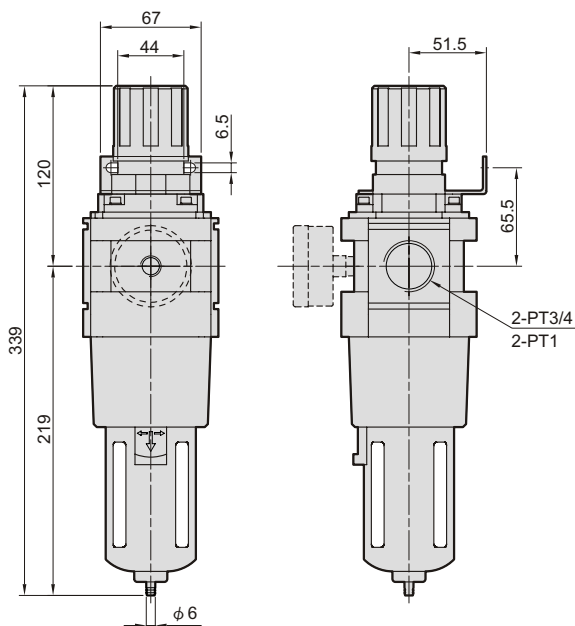
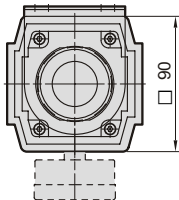
Order example:

MAFR500 - 20A - BSP

MODEL

BORE SIZE
20A: PT 3/4"
25A: PT 1"

PORT THREAD
Blank: PT thread
BSP: BSP thread
NPT: NPT thread



Flow feature:

