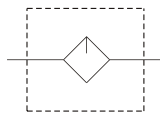


# MAL401 series

AIR UNITS (L.UNIT)



Symbol:

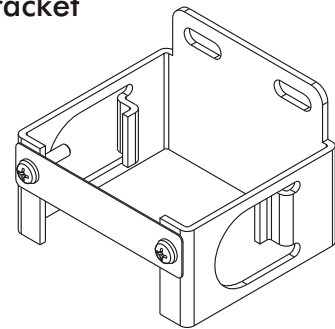


## Specification:

Model	MAL401		
Bore No.	8A	10A	15A
Port size	PT 1/4	PT 3/8	PT 1/2
Medium	Air		
Operating pressure range	0~15 kgf/cm <sup>2</sup> (0~1.5 MPa)		
Proof pressure	20 kgf/cm <sup>2</sup> (2 MPa)		
Ambient temperature	-5~+60°C (No freezing)		
Lubricating oil capacity	200c.c		
Min. flow for oil drip	30 ℓ/min	65 ℓ/min	80 ℓ/min
Recommended lubricating oil	Turbine oil ISO-VG32		
Weight	545 g		

## Option accessories

### C type bracket



Order example:

**MAL401 — 8A — B — BSP**

MODEL

BORE SIZE  
8A: PT 1/4  
10A: PT 3/8  
15A: PT 1/2

C Type Bracket

PORT THREAD  
Blank: PT thread  
BSP: BSP thread  
NPT: NPT thread

