

MPC series

PILOT CHECK VALVES



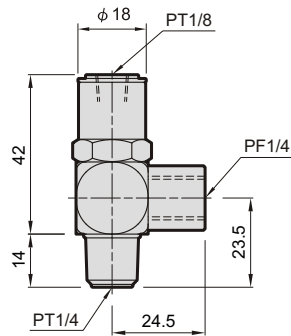
- Maintaining pressure.
- Preventing leakage.
- Accuracy position holding.
- Special load design applications.

Specification

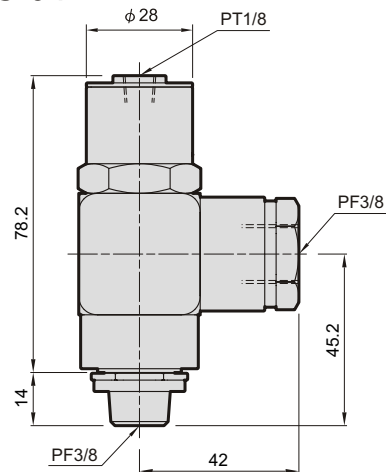
Order no.	Pressure (kg/cm ²)	Temperature (°C)	Orifice (mm ²)	Operation time (times/min)	Weight (g)
MPC-02	0.5-9.5	-10~70°C	24	60	100
MPC-04	0.5-9.5	-10~70°C	79	40	340



MPC-02



MPC-04



Application example:

