

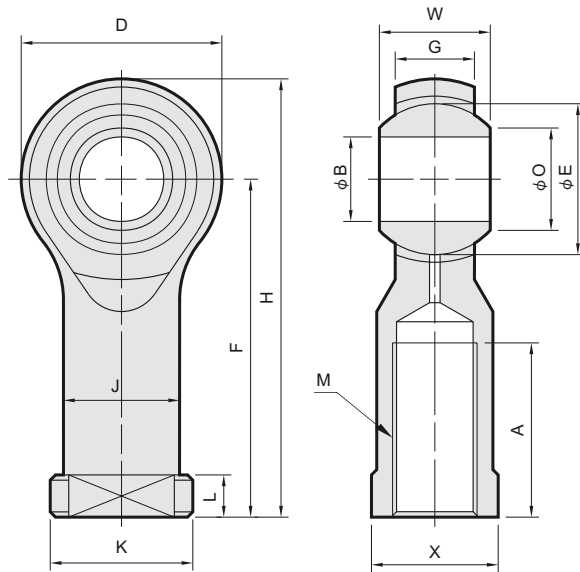


- Insert type
- With grease nipple
- Female threads
- Material:
  - Body: Carbon steel for structure use
  - Ball: High carbon bearing steel
  - Insert: Copper alloy

Order example:

**PHS 25 – (M24 × 1.5)**

MODEL



Model	Main dimensions (mm)														Static fracture minimal radial load (kgf)	Dynamic eff. load (kgf)		Weight (g)
	A	B	D	E	F	G	H	J	K	L	M	O	W	X		Radial	Axial	
PHS 5-(M5×0.8)	14	5	16	11.11	27	7	35	9	12	4	M5×0.8	7.71	8	9	930	620	230	18
PHS 6-(M6×1.0)	14	6	18	12.7	30	7	39	10	13	5	M6×1.0	8.96	9	11	1040	690	270	26
PHS 8-(M8×1.25)	17	8	22	15.875	36	9	47	12.5	16	5	M8×1.25	10.4	12	14	1490	990	430	45
PHS 10EC-(M10×1.25)	21	10	26	19.05	43	11	56	15	19	6.5	M10×1.25	12.92	14	17	2010	1340	630	76
PHS 12EC-(M12×1.25)	24	12	30	22.225	50	12	65	17.5	22	6.5	M12×1.25	15.43	16	19	2470	1650	800	114
PHS 14EC-(M14×1.5)	27	14	34	25.4	57	14	74	20	25	8	M14×1.5	16.86	19	22	3130	2090	1070	158
PHS 16EC-(M16×1.5)	33	16	38	28.575	64	15	83	22	27	8	M16×1.5	19.39	21	22	3700	2470	1290	200
PHS 18-(M18×1.5)	36	18	42	31.75	71	17	92	25	31	10	M18×1.5	21.89	23	27	4490	2990	1620	288
PHS 20-(M20×1.5)	40	20	46	34.925	77	18	100	27.5	37	10	M20×1.5	24.38	25	32	5180	3460	1890	372
PHS 22-(M22×1.5)	43	22	50	38.1	84	20	109	30	37	12	M22×1.5	25.84	28	32	6100	4070	2290	475
PHS 25-(M24×1.5)	48	25	56	42.862	94	22	122	33.5	42	12	M24×1.5	29.6	31	36	7420	4950	2830	673
PHS 30-(M30×2.0)	56	30	67	50.8	110	26	143.5	40	50	15	M30×2.0	34.81	37	41	11000	7370	3960	1050