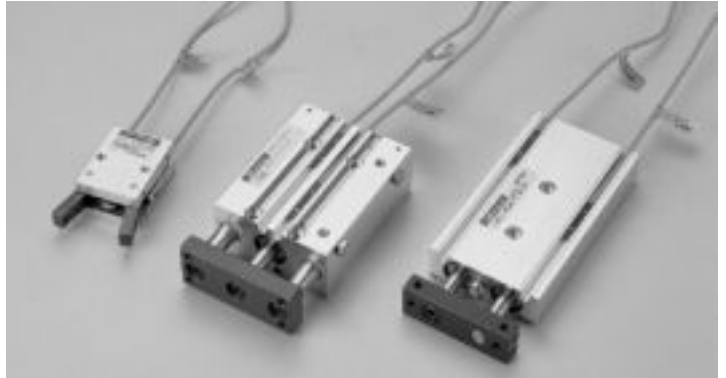
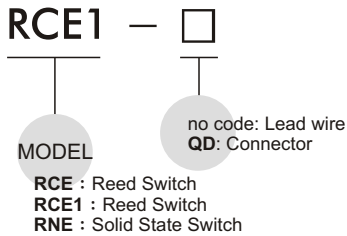


RCE / RCE1 series

SENSOR SWITCH



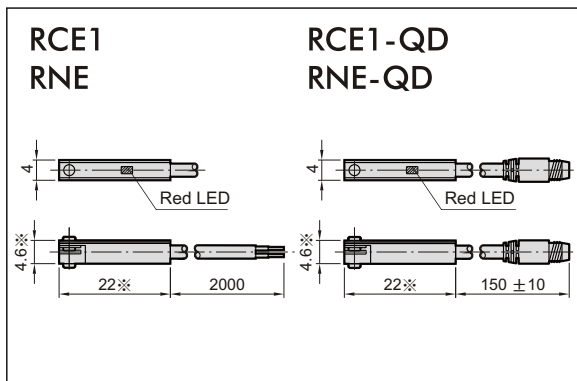
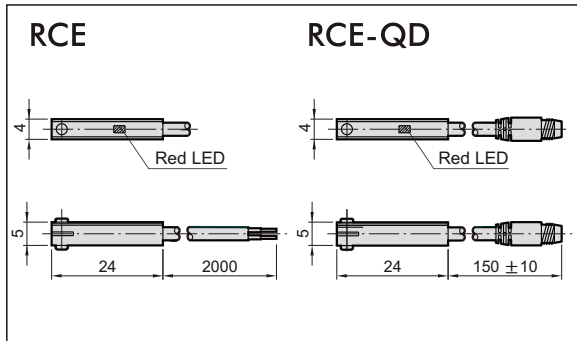
Order example:



Specification:

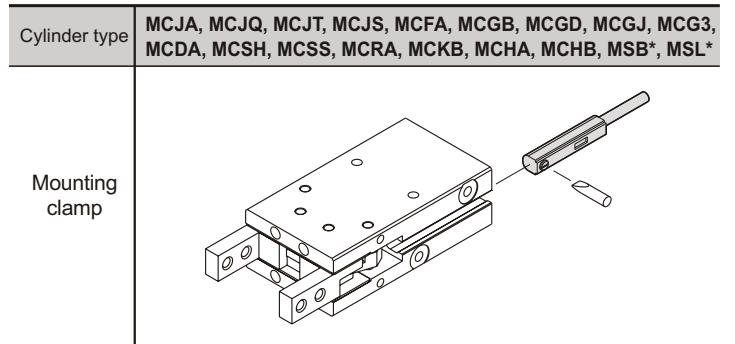
Model	RCE	RCE1	RNE
Switch type	Reed switch		NPN current sinking
Contracts	Normal open		
Voltage range	5~220V DC/AC	5~120V DC/AC	5~30V DC
Current range	100mA max.		50mA max.
Switch range	10W max.	6W max.	1.5W max.
Shock resistance	30G		50G
Voltage drop	2.5V max.		0.5V max.
Response time	Max. 1ms		
Temperature	-10°C~+70°C		
Lead wire	2.8 φ ,2C		2.8 φ ,3C
Lead wire length	2 m		
Indicator lamp	LED lights up when ON		
Enclosure classification	IP 67 (NEMA 6)		
Indicator	Red LED		
Symbol			

Dimension



※ The dimensions is different from RCE series.

Assembling style:



Wiring of the QD:

- 2 wire QD wiring
- 3 wire QD wiring

