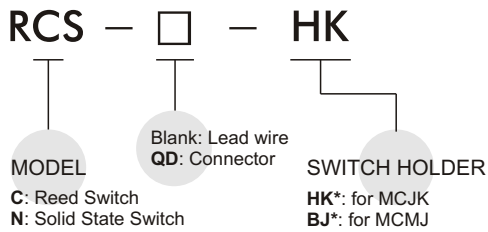


RCS series

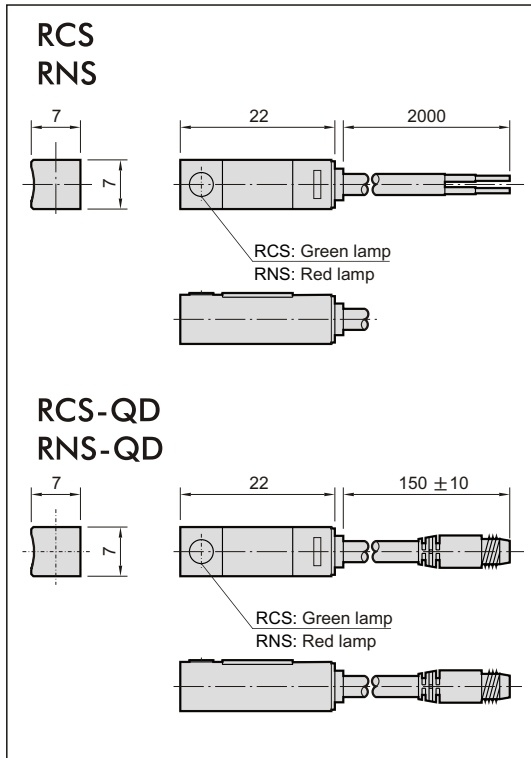
SENSOR SWITCH



Order example:



Dimension

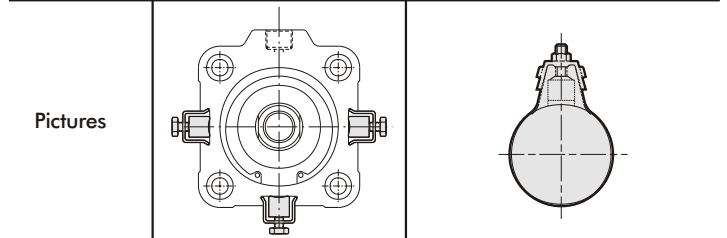


Specification:

Model	RCS	RNS
Switch type	Reed switch	NPN current sinking
Contracts	Normal open	
Voltage range	5~240V DC/AC	5~30V DC
Current range	100mA max.	200mA max.
Switch range	10W max.	6W max.
Shock resistance	30G	50G
Voltage drop	2.5V max.	0.5V max.
Response time	Max. 1ms	
Temperature	-10~70°C	
Lead wire	2.8φ, 2C	2.8φ, 3C
Lead wire length	2 m	
Indicator lamp	LED lights up when ON	
Enclosure classification	IP 67 (NEMA 6)	
Indicator	Red LED	
Symbol		

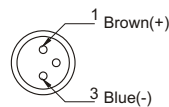
Assembling style:

Cylinder type	MCJK	MCMA, MCMJ	MCMJ		
Mounting clamps	Hold	Band	Band		
Order	HK	BJ16	BJ6	BJ10	BJ16
Cylinder tube I.D.	16, 20, 25, 32, 40, 50, 63, 80, 100	16	6	10	16



Wiring of the QD:

● 2 wire QD wiring



● 3 wire QD wiring

