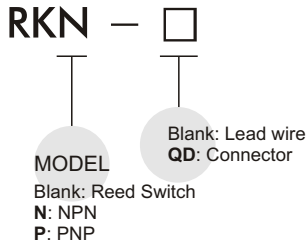
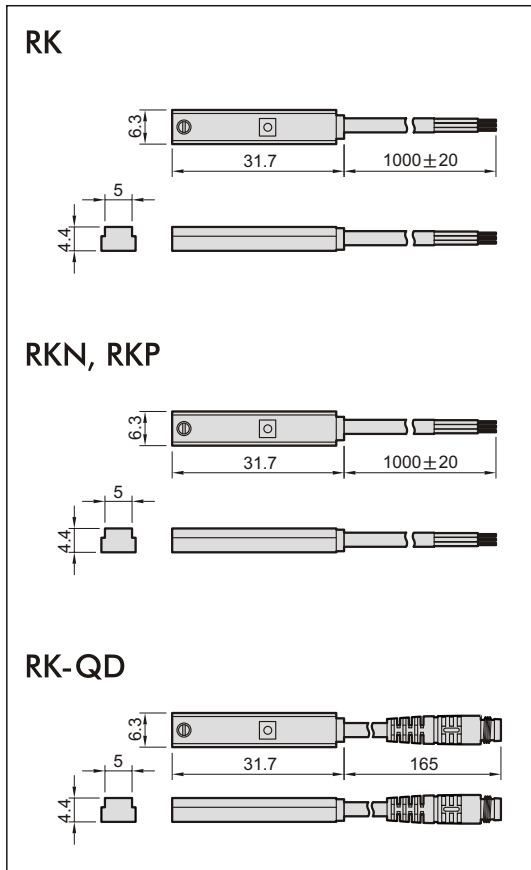




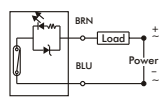
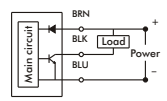
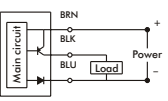
### Order example:



### Dimension:

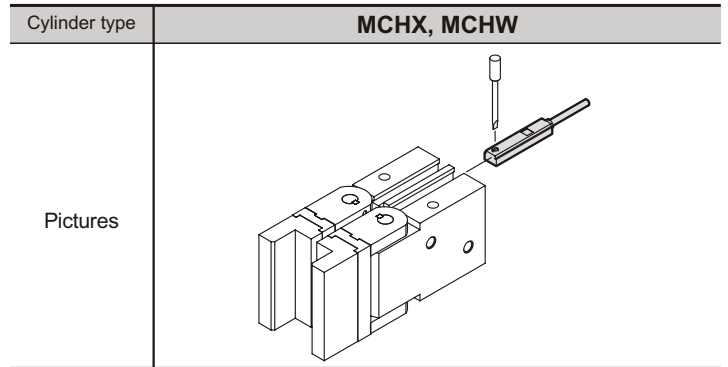


### Specification:

Model	RK	RKN	RKP
Switching logic	SPST normally open	Solid state output, normally open	
Switch Type	Reed switch	NPN current sinking	PNP current sourcing
Operating voltage	5~220V DC/AC	5~30V DC	
Switching current	100mA max.	150mA max.	
Switching rating	10W max.	4.5W max.	
Current consumption	—	10 mA@24V max.	
Voltage drop	2.5V max.	2.0V max.	
Leakage current	—	0.01mA max.	
Indicator	Red LED	Red LED	Green LED
Cable	2.8 φ, 2C, PVC	3.3 φ, 3C, PVC	
Sensitivity(note 1.)	40 Gauss		
Temperature range	- 10~70°C		
Shock(note 2.)	30G	50G	
Vibration(note 3.)	9 G		
Enclosure classification	IP67 (Nema 6)		
Protection circuit	None	Power source reverse polarity; Surge suppression	
Connect diagram			

Note1. Measuring standard target : φ 14.5×φ 8.5t(Anisotropy rubber magnet).  
 Note2. Sin wave / X.Y.Z. 3 Directions / 3 Times each direction / 11ms each time.  
 Note3. Double amplitude 1.5mm / 10Hz~55Hz~10Hz(Sweep 1min) / X.Y.Z. 3 Directions / 1 Hour each time.

### Assembling style:



### Wiring of the QD:

● 2 wire QD wiring

● 3 wire QD wiring

