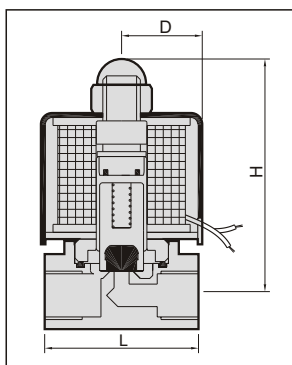


MUD / MUS series Normally closed / Normally open



SOLENOID VALVE

2-WAY normally closed / normally open solenoid valve.
Available fluid: Water, air, steam, light oil, gas & vacuum.



Specification :

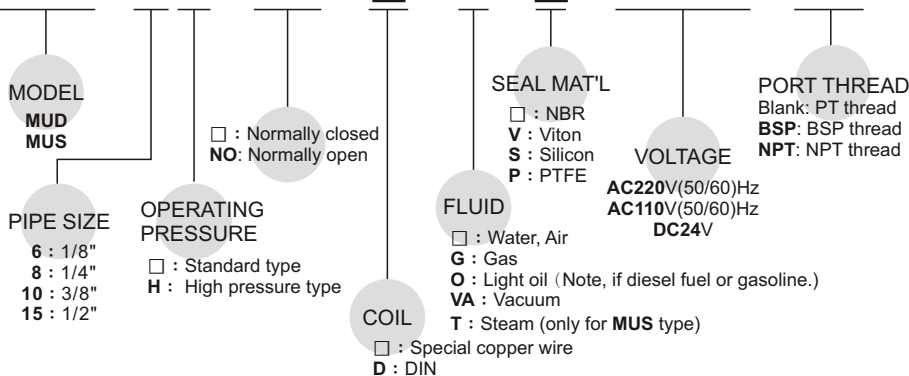
- Small size & easy assembly.
- Other voltage of AC/DC available when required.
- Installation: Mountable in any position without affecting operation.
- Viton(130°C), Silicon(130°C), PTFE (185°C).
- AC Voltage tolerance: $\pm 10\%$.
DC Voltage tolerance: $\pm 1\%$.

Material:

Parts name	Material
Body	Forge brass
Coil	Special copper wire (H)
Tube	Stainless steel
Spring	Stainless steel
Fixed steel	Special st. steel
Plug	NBR, Viton, Silicon, PTFE
Disc	NBR

Order example:

MUD - 8 H - NO - □ - G - □ - AC110 - BSP



Caution:

- Pipes must be washed neat and clean before fitted.
- A Y-STRAINER has to be installed in the front of solenoid valve, that is best for long life.

Not for fluid of:

- Liquid when heat, solid when cool.
- Corrosive fluid.
- Viscosity over 50 cst.

Model	DIN	Pipe size	Cv	Orifice (mm)	Fluid temp	Max. operating pressure diff. kgf/cm ²						L (mm)	H (mm)	D (mm)	Weight (kg)	
						Water	Air	Steam	Light oil	Gas	Vacuum					
NC	MUD-6		PT 1/8"	0.23	2.5	-5~+80°C	0~7	0~7	—	—	—	0~10 ⁻³ Torr	41	63	21	0.3
	MUD-8		PT 1/4"	0.23	2.5	-5~+80°C	0~7	0~7	—	—	—	0~10 ⁻³ Torr	41	63	21	0.3
	MUD-8		PT 1/4"	0.58	4	-5~+80°C	0~3	0~3	—	—	—	0~10 ⁻³ Torr	41	63	21	0.3
	MUD-8		PT 1/4"	0.79	6	-5~+80°C	0~1	0~1	—	—	—	0~10 ⁻³ Torr	41	63	21	0.3
	MUD-8H		PT 1/4"	0.18	1.2	-5~+130°C	0~20	0~20	—	—	—	0~10 ⁻³ Torr	41	63	21	0.3
	MUS-8		PT 1/4"	0.23	2.5	-5~+185°C	—	—	0~7	—	—	—	41	63	21	0.3
	MUD-10	●	PT 3/8"	0.58	4	-5~+80°C	0~10	0~10	—	—	—	0~10 ⁻³ Torr	53	75	48	0.6
	MUD-10		PT 1/8"	0.79	8	-5~+80°C	0~3	0~5	—	—	—	0~10 ⁻³ Torr	53	90	48	0.8
	MUD-15		PT 1/2"	0.58	8	-5~+80°C	0~3	0~5	—	—	—	0~10 ⁻³ Torr	53	90	48	0.8
	MUD-10H	●	PT 3/8"	0.45	2	-5~+130°C	0~20	0~20	—	—	—	0~10 ⁻³ Torr	53	75	48	0.6
MUS-10	●	PT 3/8"	0.58	4	-5~+185°C	—	—	0~10	—	—	—	53	75	48	0.6	
NO	MUD-6-NO		PT 1/8"	0.23	2.5	-5~+80°C	0~7	0~7	—	0~7	0~7	0~10 ⁻³ Torr	41	81	21	0.4
	MUD-8-NO		PT 1/4"	0.23	2.5	-5~+80°C	0~7	0~7	—	0~7	0~7	0~10 ⁻³ Torr	41	81	21	0.4
	MUD-8-NO		PT 1/4"	0.58	4	-5~+80°C	0~3	0~3	—	0~7	0~7	0~10 ⁻³ Torr	41	81	21	0.4
	MUD-8-NO		PT 1/4"	0.79	6	-5~+80°C	0~1	0~1	—	0~7	0~7	0~10 ⁻³ Torr	41	81	21	0.4
	MUD-8H-NO		PT 1/4"	0.18	1.2	-5~+130°C	0~20	0~20	—	0~20	0~20	0~10 ⁻³ Torr	41	81	21	0.4
	MUD-10-NO		PT 3/8"	0.58	4	-5~+80°C	0~10	0~10	—	0~7	0~7	0~10 ⁻³ Torr	54	106	48	0.7

※ The pressure ratings indicated above are based on AC110V/220V. The maximum pressure may vary in case on DC/AC24V.