

MVAA-150 series

MASTER VALVE



Specification:

Model	MVAA-150-4A1	MVAA-150-4A2
Bore No.	M5	
Port size	M5 × P0.8	
No. of port	5	
Medium	Air	
Operating pressure range	0~8 kgf/cm ²	
Proof pressure	10 kgf/cm ²	
Effective orifice	3.8 mm ²	
Pilot pressure range	1.5~8 kgf/cm ²	
Ambient temperature	-5~+60°C (No freezing)	
Weight	47 g	58 g

Order example:

MVAA - 150 - 4A2

MODEL

BODY WIDTH

4: 4way

A1: Single air operate
A2: Double air operate

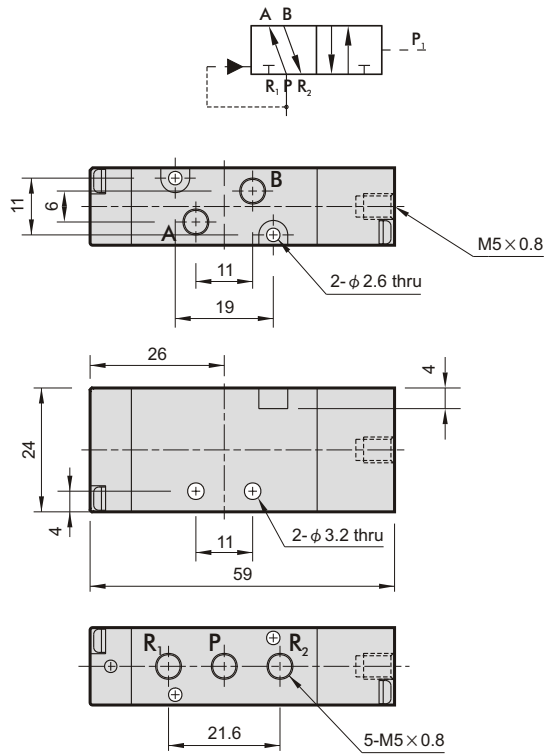
MVAA-150

MASTER VALVE

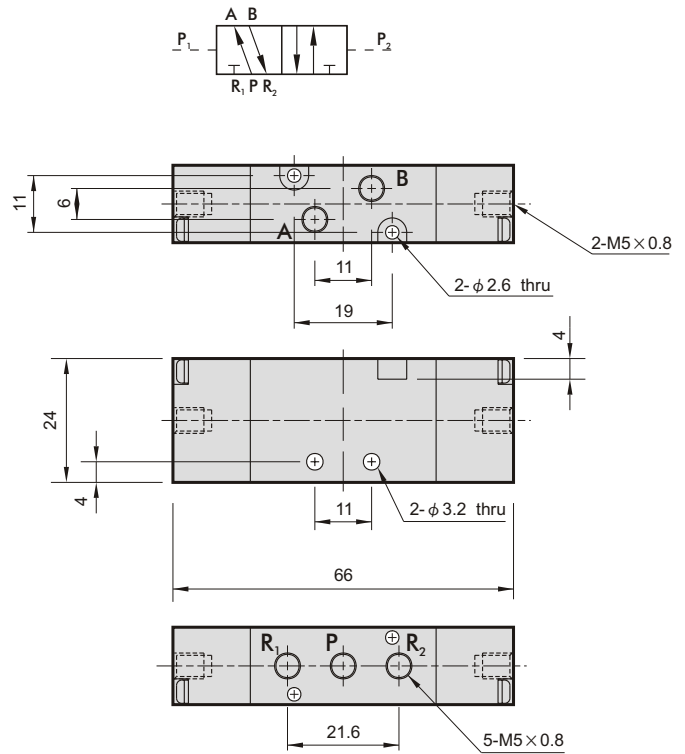


Dimensions:

MVAA-150-4A1



MVAA-150-4A2



Flow features:

