

# MVAA-220 series

MASTER VALVE



## Specification:

| Model                    | MVAA-220-3A1,A2           | MVAA-220-4A1,A2, 4A2CPR |
|--------------------------|---------------------------|-------------------------|
| Bore No.                 | 8A                        |                         |
| Port size                | PT 1/4                    |                         |
| No. of port              | 3                         | 5                       |
| Medium                   | Air                       |                         |
| Operating pressure range | 0~8 kgf/cm <sup>2</sup>   |                         |
| Proof pressure           | 10 kgf/cm <sup>2</sup>    |                         |
| Effective orifice        | 18 mm <sup>2</sup>        |                         |
| Pilot pressure range     | 1.5~8 kgf/cm <sup>2</sup> |                         |
| Ambient temperature      | -5~+60°C (No freezing)    |                         |
| Weight                   | 122 g                     | 134 g                   |
|                          | 106 g                     | 134 g                   |
|                          |                           | 179 g                   |

## Order example:

MVAA - 220M - 4A2C - NC - BSP

MODEL

BODY WIDTH

Blank: body ported type  
M: manifold type

3: 3way  
4: 4way

A1: Single air operate  
A2: Double air operate

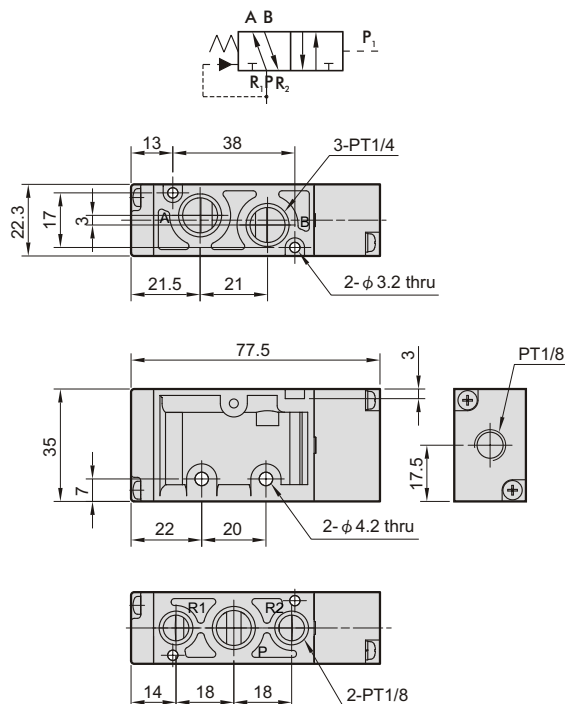
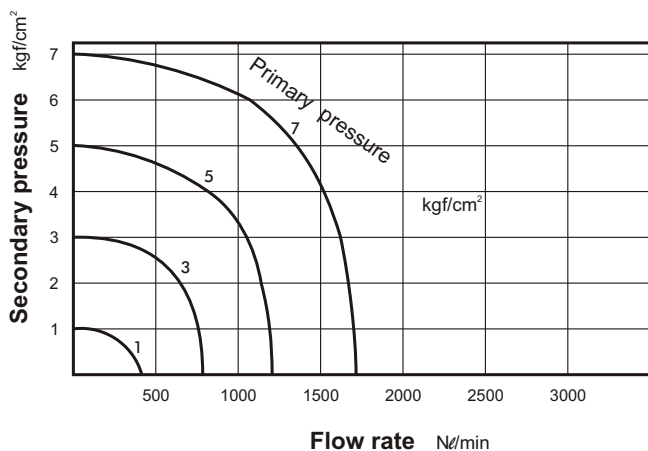
NC: Normally closed  
NO: Normally open  
(Only for 3A1 type)

C: Closed center  
P: Pressure center  
R: Exhaust center  
(Only for 4A2 type)

PORT THREAD  
Blank: PT thread  
BSP: BSP thread  
NPT: NPT thread

**MVAA-220-4A1**

## Flow features:



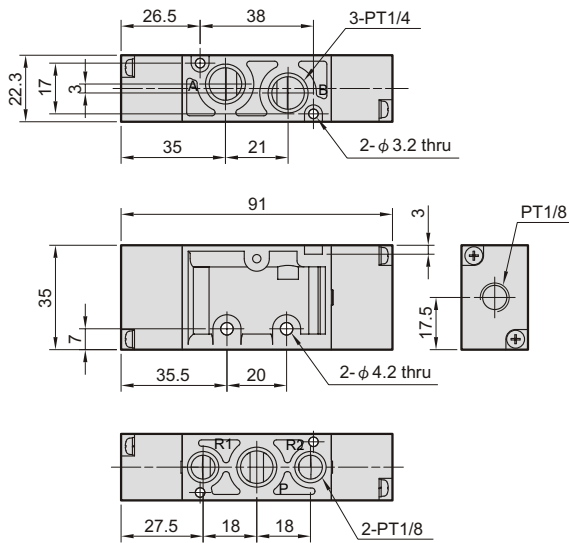
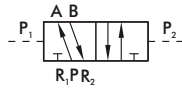
# MVAA-220

MASTER VALVE



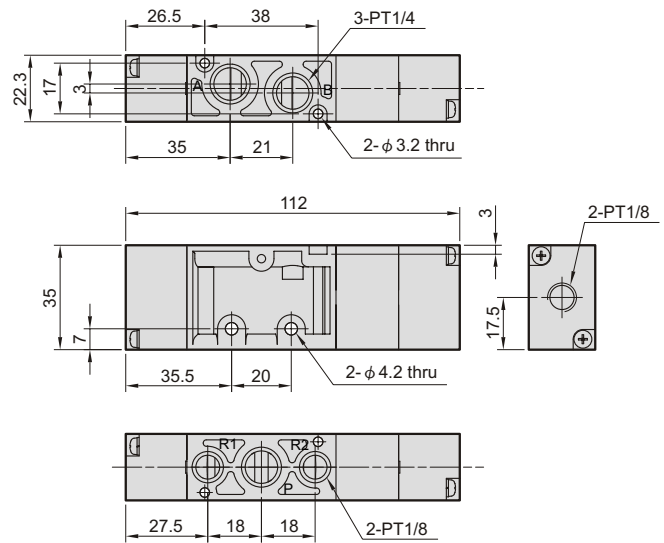
## Dimensions:

### MVAA-220-4A2

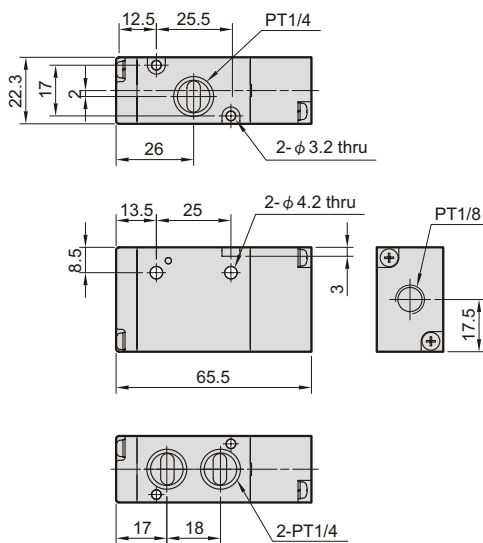
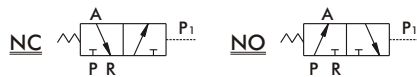


### MVAA-220-4A2C.P.R

MVAA-220-4A2C MVAA-220-4A2P MVAA-220-4A2R



### MVAA-220-3A1-NC/NO



### MVAA-220-3A2

