

MVHB-300 series

HAND VALVE



Specification:

Model	MVHB-300(V)-4TV MVHB-300(V)-4TV-SP	MVHB-300(V)-4TV* MVHB-300(V)-4TV*-SP
Bore No.	10A	
Port size	PT 3/8	
No. of port	5	
No. of position	2	3
Medium	Air	
Operating pressure range	0~9.9 kgf/cm ²	
Effective orifice	34 mm ²	
Ambient temperature	-5~+60°C (No freezing)	
Weight	438 g	487 g

Order example:

MVHB - 300V - 4TVC - SP - BSP

MODEL

BODY WIDTH

4way

Blank: Standard type
V: Vertical type

VALVE TYPE

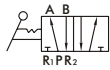
Blank: 5/2
C: Close center (5/3)
P: Pressure center (5/3)
R: Exhaust center (5/3)

SPRING RETURN

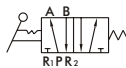
PORT THREAD

Blank: PT thread
BSP: BSP thread
NPT: NPT thread

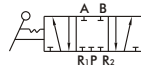
MVHB-300-4TV



MVHB-300-4TV-SP



MVHB-300-4TVC



MVHB-300-4TVC-SP



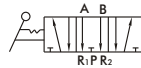
MVHB-300-4TVP



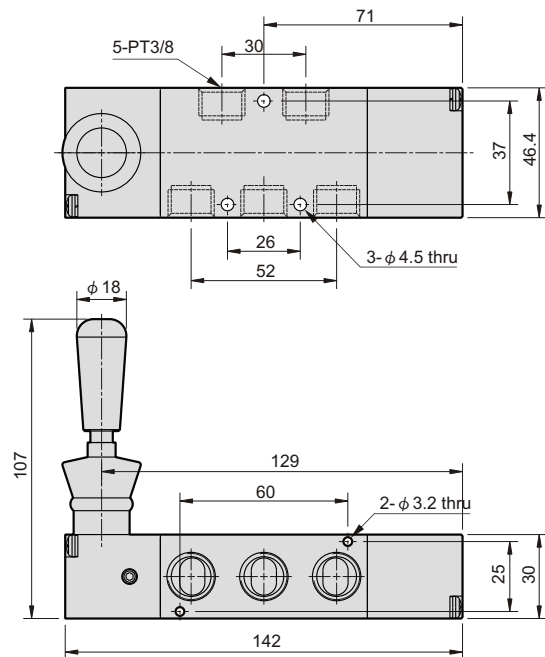
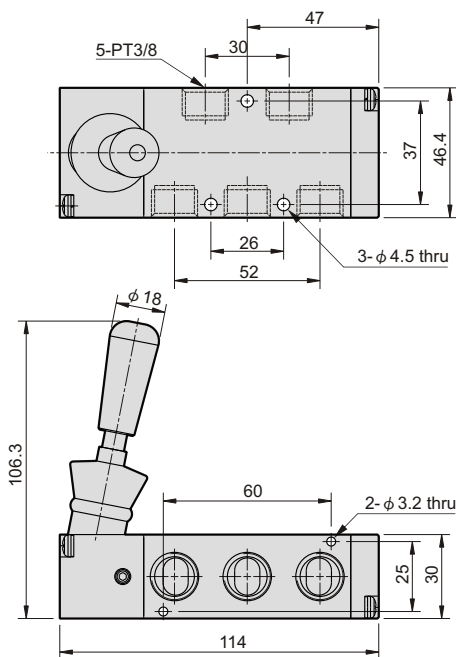
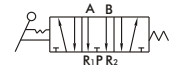
MVHB-300-4TVP-SP



MVHB-300-4TVR



MVHB-300-4TVR-SP

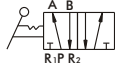


MVHB-300

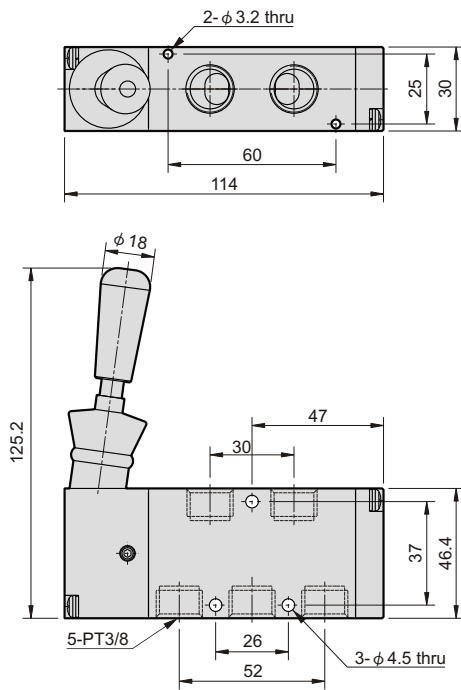
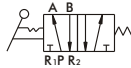
HAND VALVE



MVHB-300V-4TV



MVHB-300V-4TV-SP



MVHB-300V-4TVC



MVHB-300V-4TVP



MVHB-300V-4TVR



MVHB-300V-4TVC-SP



MVHB-300V-4TVP-SP



MVHB-300V-4TVR-SP

