

# MVHT series

## SHUTOFF VALVE



### Specification:

Model	MVHT-300		MVHT-400		
Bore No.	8A	10A	8A	10A	15A
Port size	PT 1/4	PT 3/8	PT 1/4	PT 3/8	PT 1/2
No. of port	3(2)				
No. of position	2				
Medium	Air				
Operating pressure range	0~15 kgf/cm <sup>2</sup>				
Proof pressure	20 kgf/cm <sup>2</sup>				
Ambient temperature	-5~+60°C (No freezing)				

### Order example:

**MVHT - 300 - 3H - 8A - BSP**

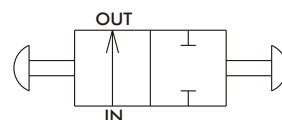
MODEL  
MVHT-300  
MVHT-400

2H: 2ways  
3H: 3ways(residual pressure release)

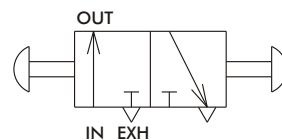
8A: PT 1/4  
10A: PT 3/8  
15A: PT 1/2(only for MVHT400)

PORT THREAD  
Blank: PT thread  
BSP: BSP thread  
NPT: NPT thread

### MVHT-300-2H

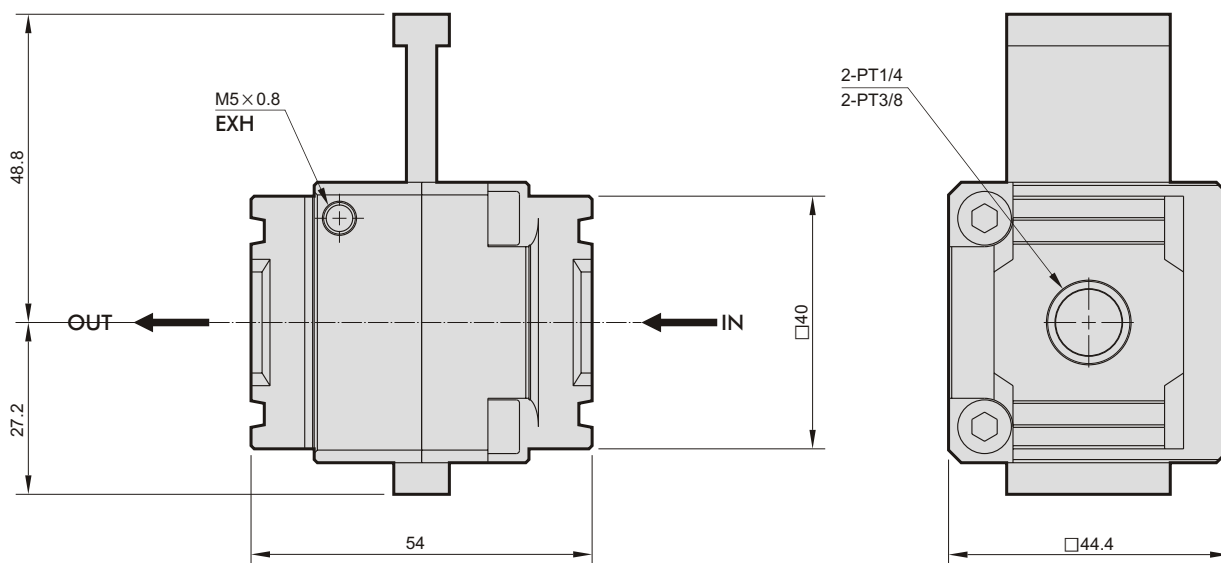


### MVHT-300-3H



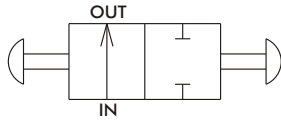
### Construction:

#### MVHT-300



## MVHT-400

MVHT-400-2H



MVHT-400-3H

