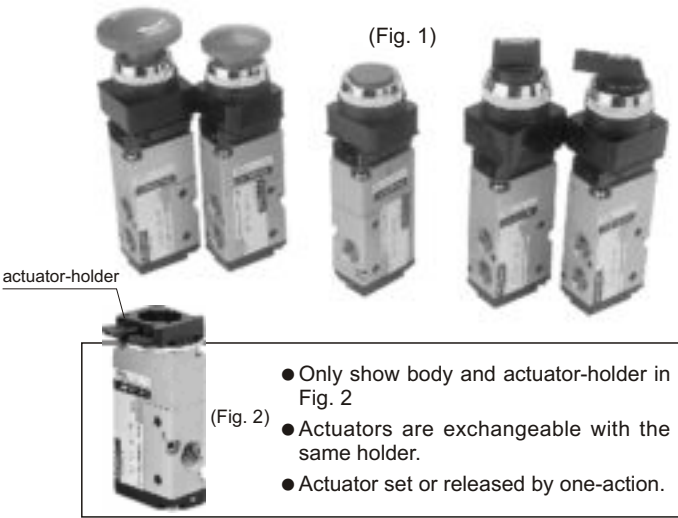


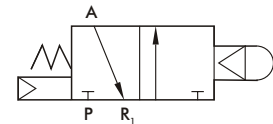
# MVMB-220-3\*\* series

MECHANICAL VALVES



## Specification:

Model	MVMB-220-3**
Bore No.	8A
Port size	PT 1/4
No. of port	3
No. of position	2
Medium	Air
Operating pressure range	1.5~8 kgf/cm <sup>2</sup>
Effective orifice	18 mm <sup>2</sup>
Ambient temperature	-5~+60°C (No freezing)
Weight	210 g



## Order example:

MVMB — 220 — 3EB — 25 — BSP

MODEL

BODY WIDTH

3way

BUTTON SIZE

22:  $\phi$  22 (Fig. 2)

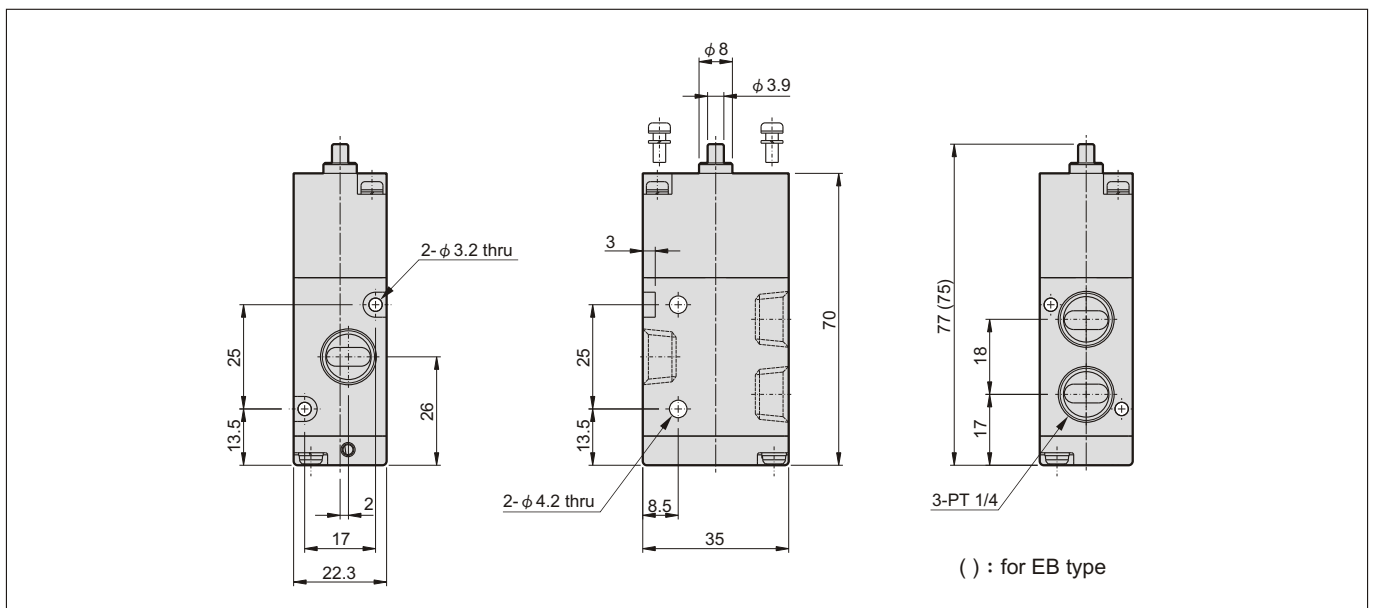
25:  $\phi$  25 (Fig. 1)

30:  $\phi$  30 (Fig. 1)

EB: palm latching actuator  
 LB: lever actuator  
 TB: turning actuator  
 PB: palm actuator  
 PP: palm button

PORT THREAD  
 Blank: PT thread  
**BSP**: BSP thread  
**NPT**: NPT thread

**MVMB-220-3\*\***

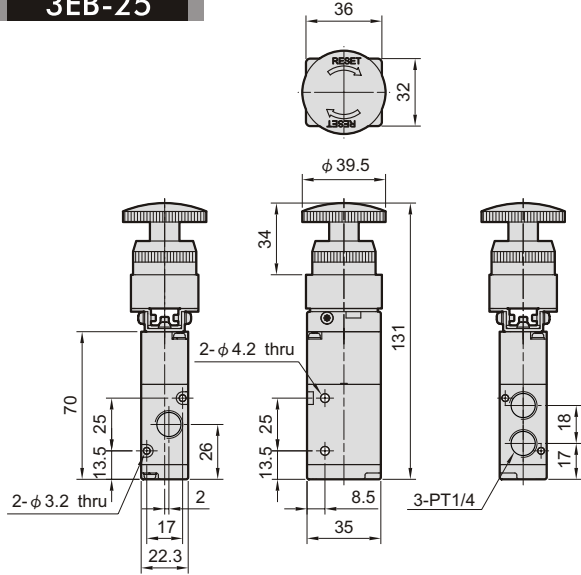


# MVMB-220-3\*\*

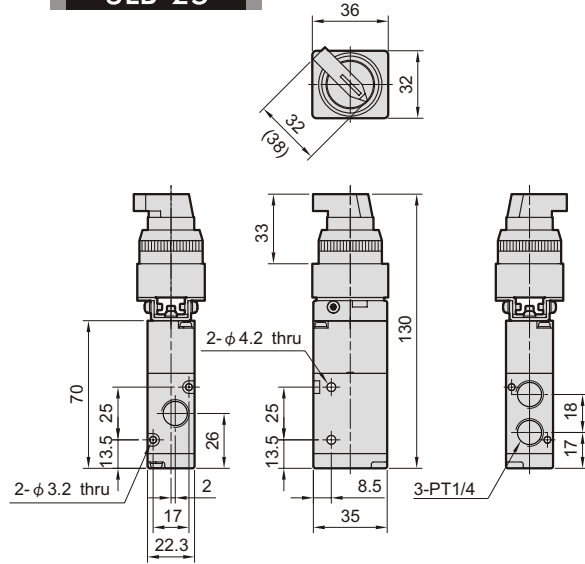
## MECHANICAL VALVES



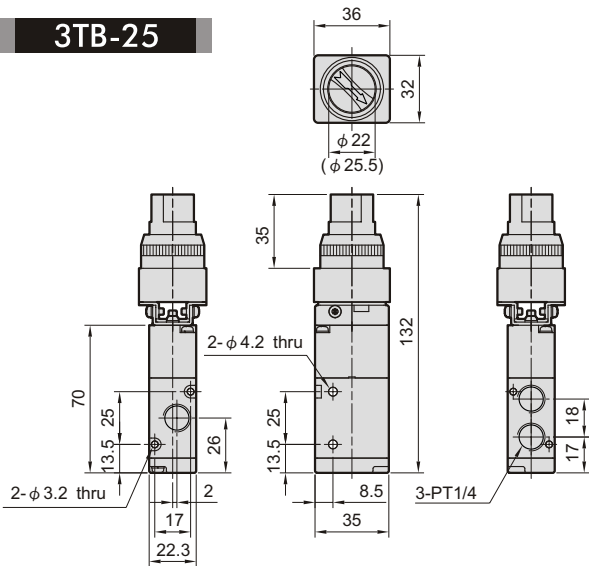
### 3EB-25



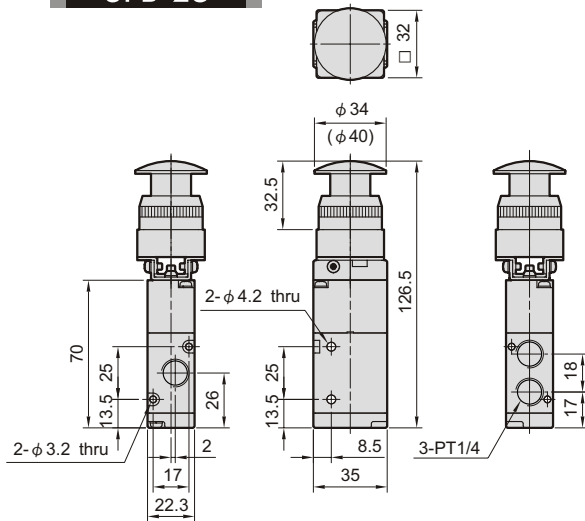
### 3LB-25



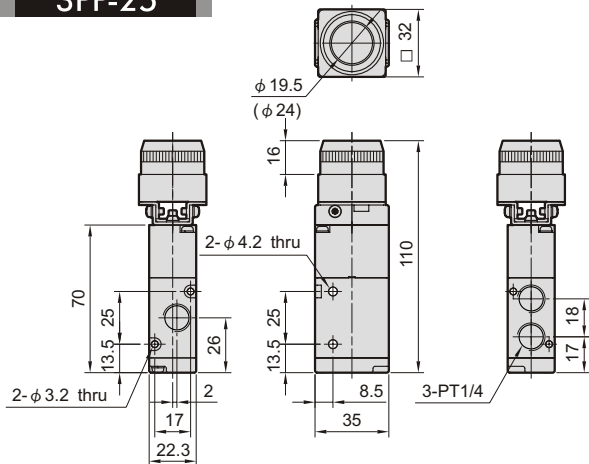
### 3TB-25



### 3PB-25



### 3PP-25



( ) : Dimension for button size  $\phi 30$ .