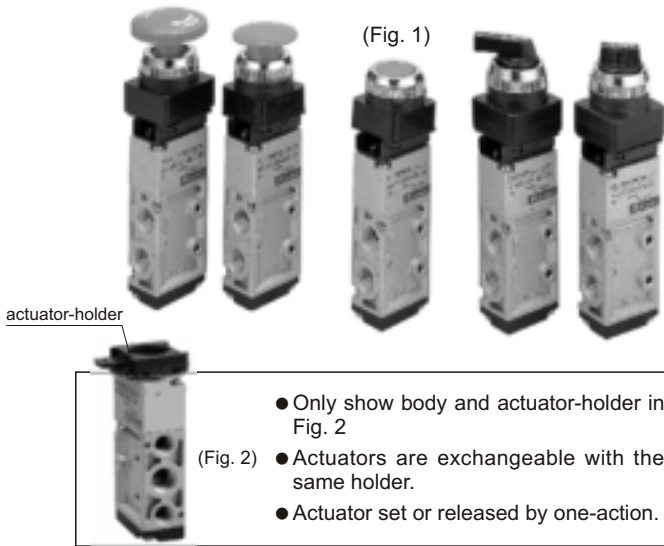


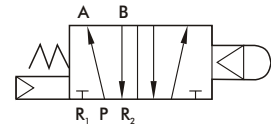
MVMB-220-4** series

MECHANICAL VALVES



Specification:

Model	MVMB-220-4**
Bore No.	8A
Port size	PT 1/4
No. of port	5
No. of position	2
Medium	Air
Operating pressure range	1.5~8 kgf/cm ²
Effective orifice	18 mm ²
Ambient temperature	-5~+60°C (No freezing)
Weight	180 g



Order example:

MVMB - 220 - 4EB - 25 - BSP

MODEL

BODY WIDTH

4way

EB: palm latching actuator
LB: lever actuator
TB: turning actuator
PB: palm actuator
PP: palm button

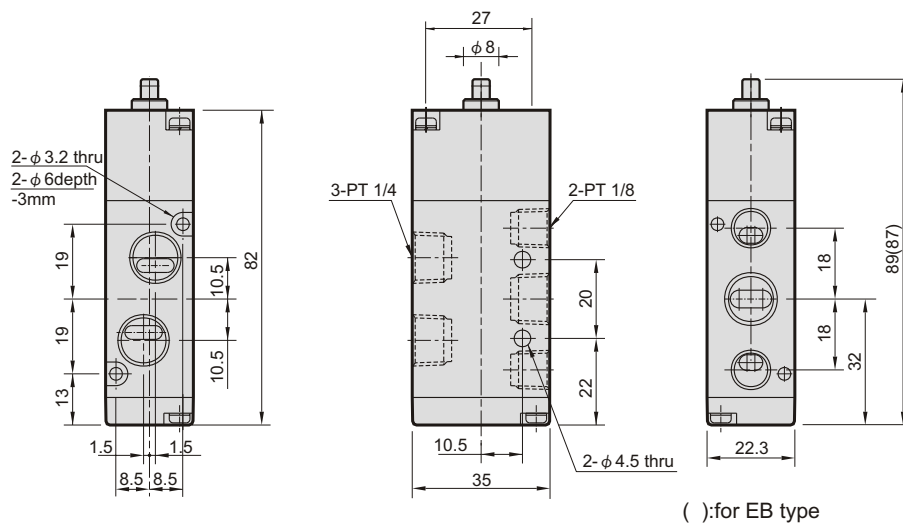
BUTTON SIZE

22: ϕ 22 (Fig. 2)
25: ϕ 25 (Fig. 1)
30: ϕ 30 (Fig. 1)

PORT THREAD

Blank: PT thread
BSP: BSP thread
NPT: NPT thread

MVMB-220-4*

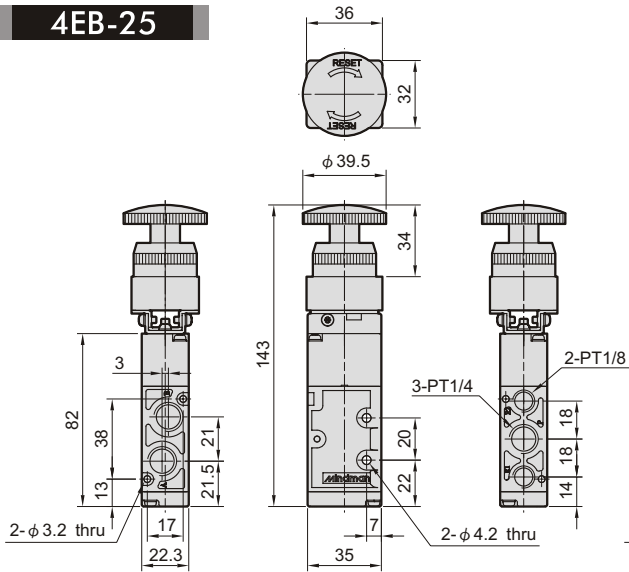


MVMB-220-4**

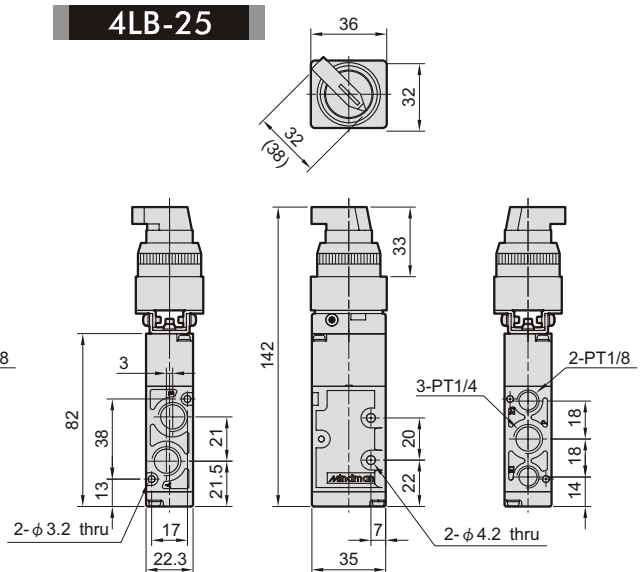
MECHANICAL VALVES



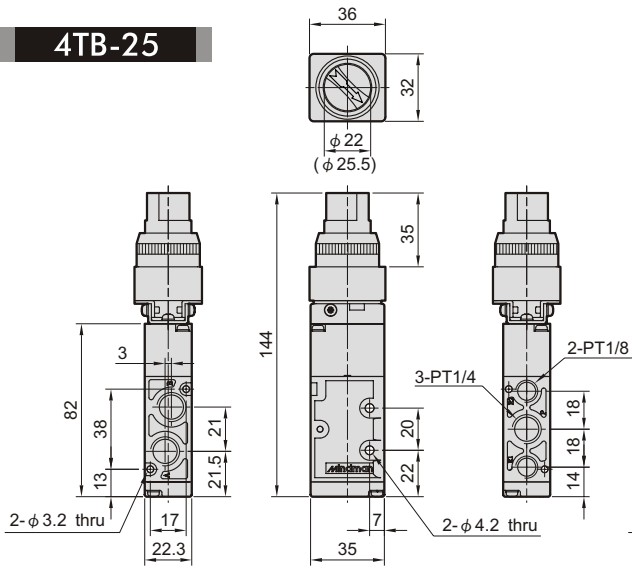
4EB-25



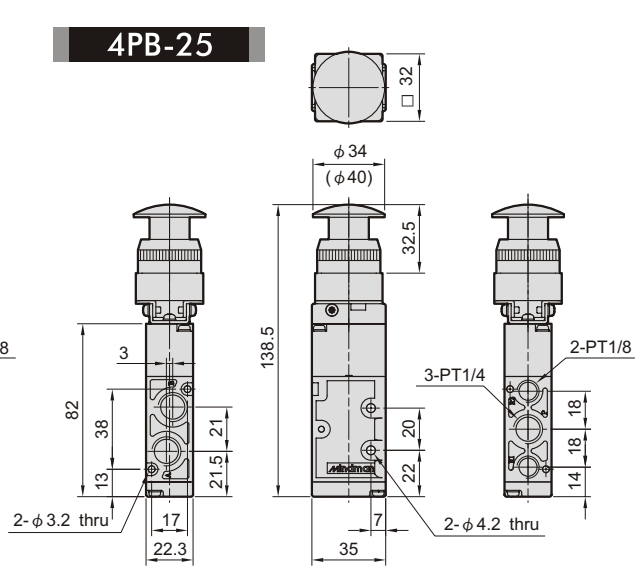
4LB-25



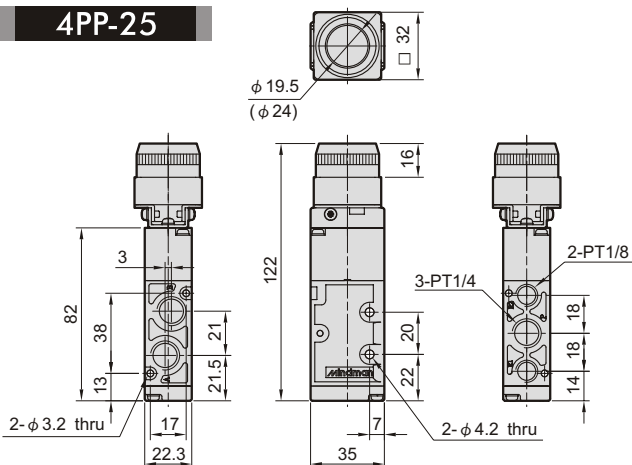
4TB-25



4PB-25



4PP-25



() : Dimension for button size $\phi 30$.