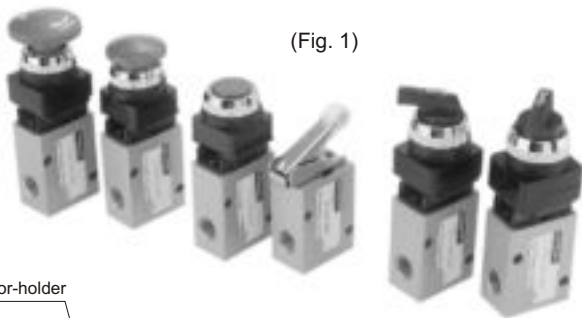


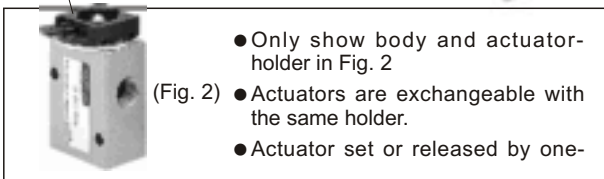
MVMB-250 series

MECHANICAL VALVES



(Fig. 1)

actuator-holder



(Fig. 2)

- Only show body and actuator-holder in Fig. 2
- Actuators are exchangeable with the same holder.
- Actuator set or released by one-

Specification:

Model	MVMB-250
Bore No.	8A
Port size	PT 1/4
No. of port	2 or 3
No. of position	2
Medium	Air
Operating pressure range	0~9.9 kgf/cm ²
Effective orifice	18 mm ²
Ambient temperature	-5~+60°C (No freezing)
Weight	193 g

Order example:

MVMB - 250 - 3R1 - 25 - BSP

MODEL

BODY WIDTH

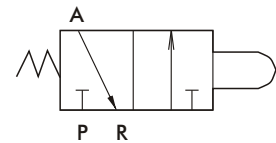
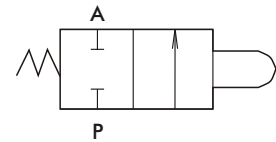
BUTTON SIZE

22: ϕ 22 (Fig. 2)
25: ϕ 25 (Fig. 1)
30: ϕ 30 (Fig. 1)

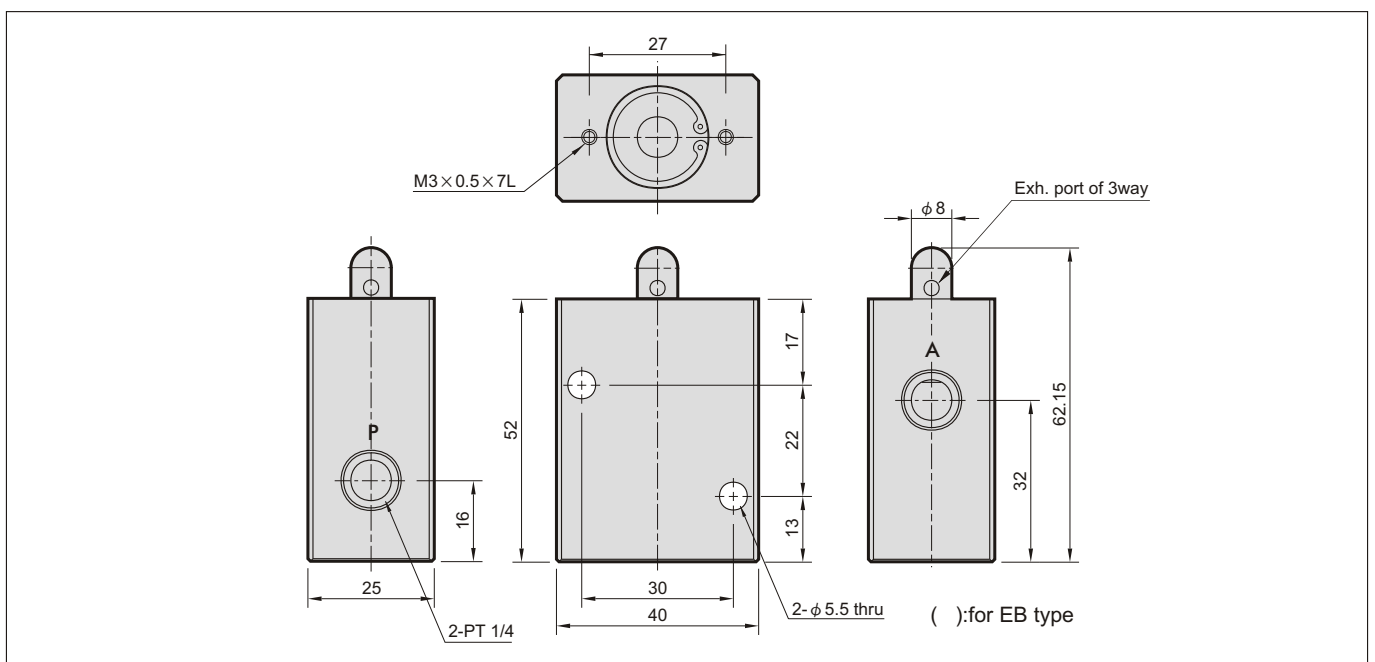
PORT THREAD
Blank: PT thread
BSP: BSP thread
NPT: NPT thread

2: 2way
3: 3way

EB: palm latching actuator
LB: lever actuator
TB: turning actuator
PB: palm actuator
PP: palm button
R1: roller lever



MVMB-250

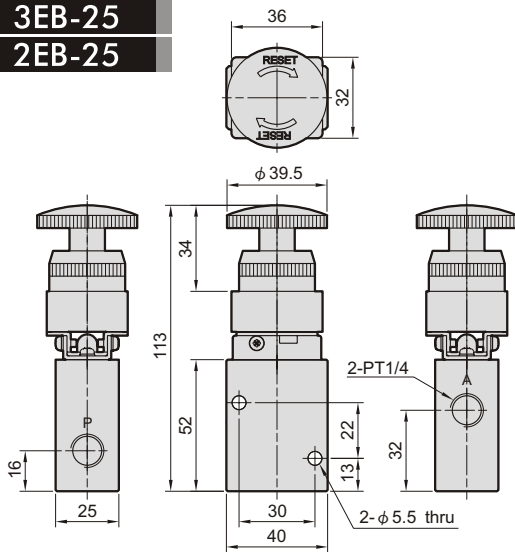


MVMB-250

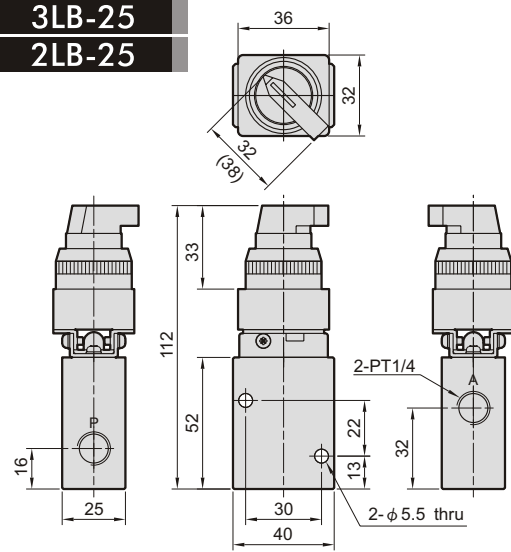
MECHANICAL VALVES



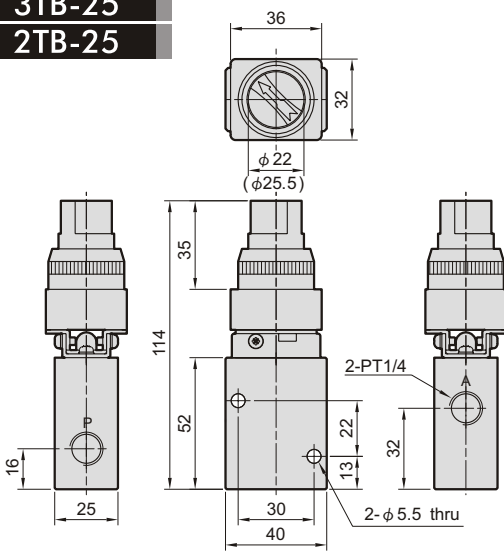
3EB-25
2EB-25



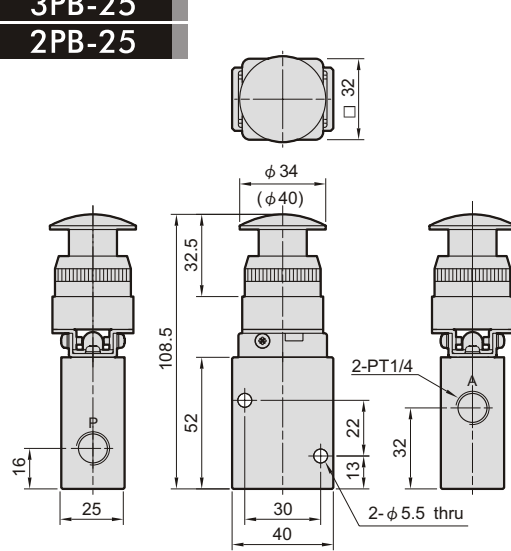
3LB-25
2LB-25



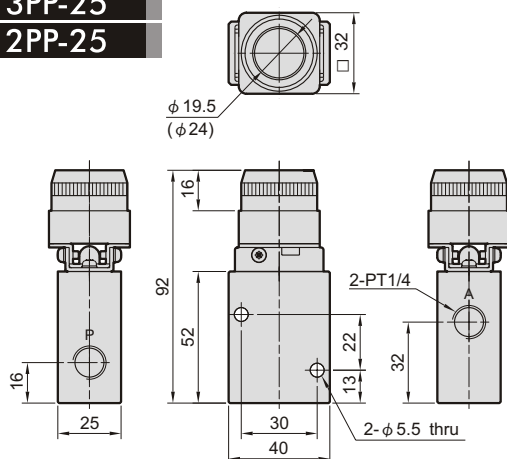
3TB-25
2TB-25



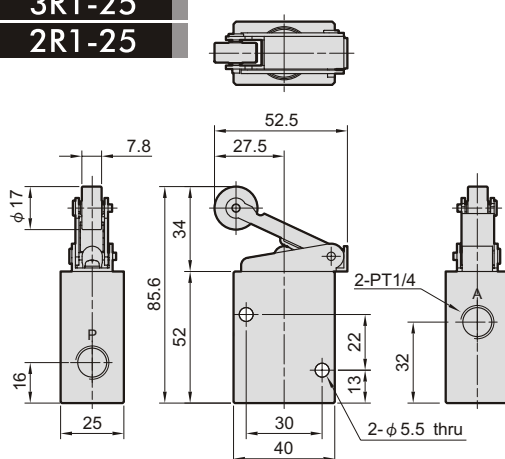
3PB-25
2PB-25



3PP-25
2PP-25



3R1-25
2R1-25



() : Dimension for button size φ30.