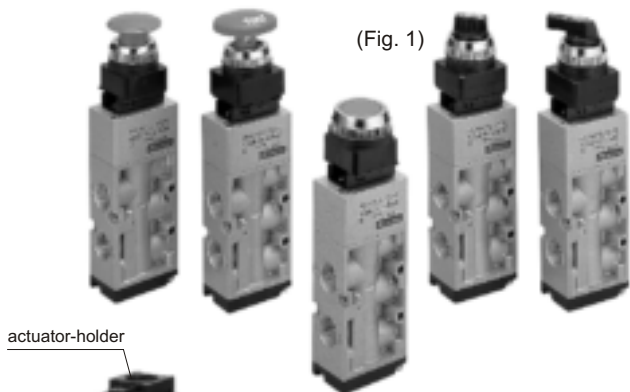


MVMB-300-4** series

MECHANICAL VALVES



(Fig. 1)

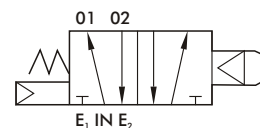
Specification:

Model	MVMB-300-4**
Bore No.	10A
Port size	PT 3/8
No. of port	5
No. of position	2
Medium	Air
Operating pressure range	1.5~8 kgf/cm ²
Effective orifice	30 mm ²
Ambient temperature	-5~+60°C (No freezing)
Weight	315 g

actuator-holder



- Only show body and actuator-holder in Fig. 2
- Actuators are exchangeable with the same holder.
- Actuator set or released by one-action.



Order example:

MVMB — 300 — 4EB — 25 — BSP

MODEL

BODY WIDTH

4way

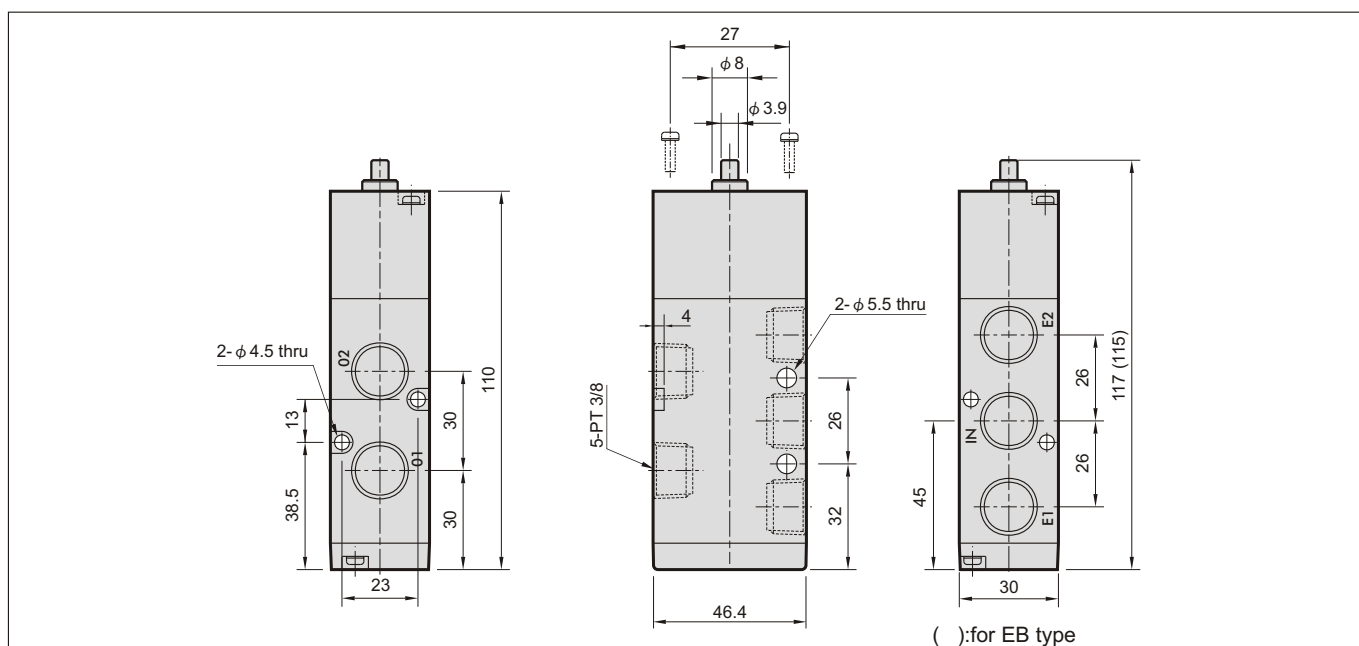
BUTTON SIZE

- 22: ϕ 22 (Fig. 2)
- 25: ϕ 25 (Fig. 1)
- 30: ϕ 30 (Fig. 1)

- EB: palm latching actuator
- LB: lever actuator
- TB: turning actuator
- PB: palm actuator
- PP: palm button

- Blank: PT thread
- BSP: BSP thread
- NPT: NPT thread

MVMB-300-4**

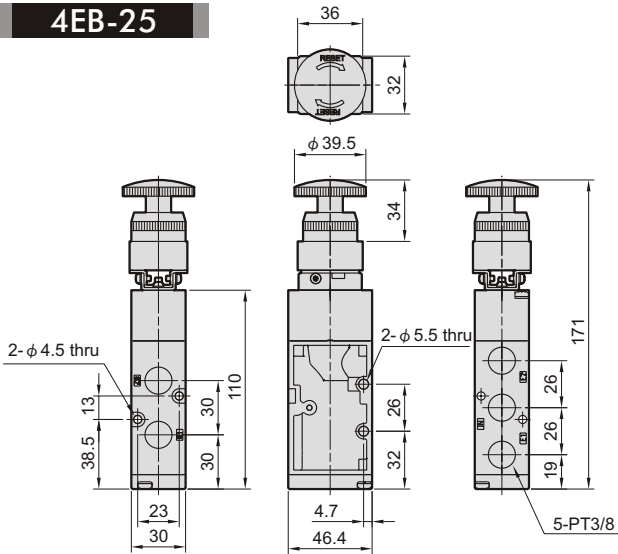


MVMB-300-4**

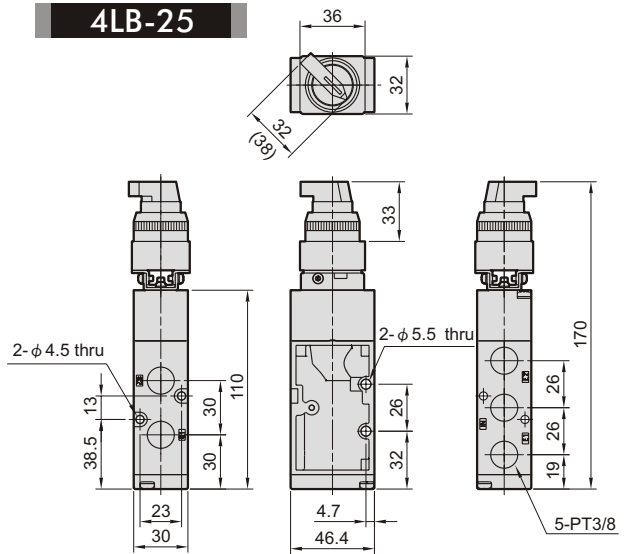
MECHANICAL VALVES



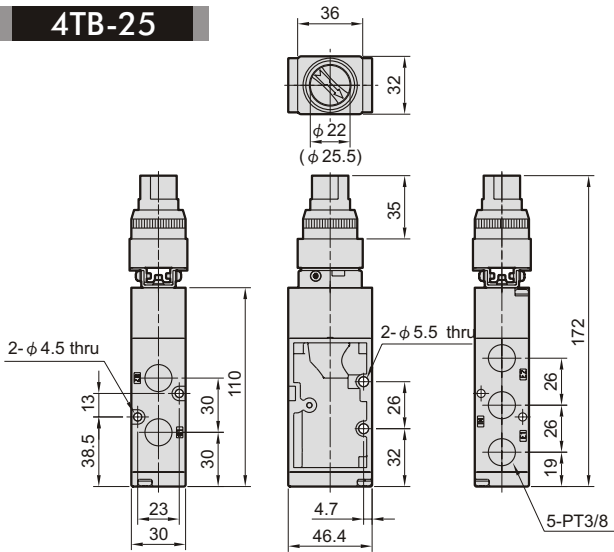
4EB-25



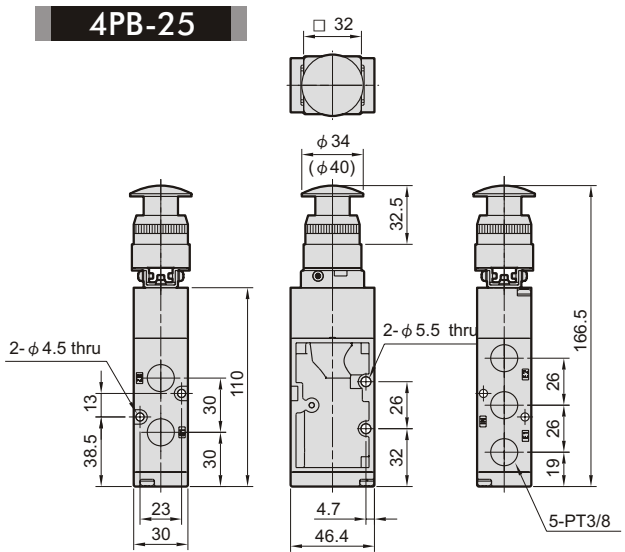
4LB-25



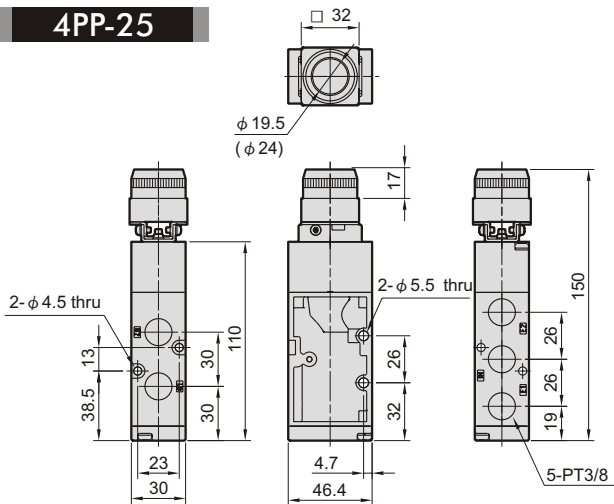
4TB-25



4PB-25



4PP-25



() : Dimension for button size $\phi 30$.