

MVSA-150 series

SOLENOID VALVE

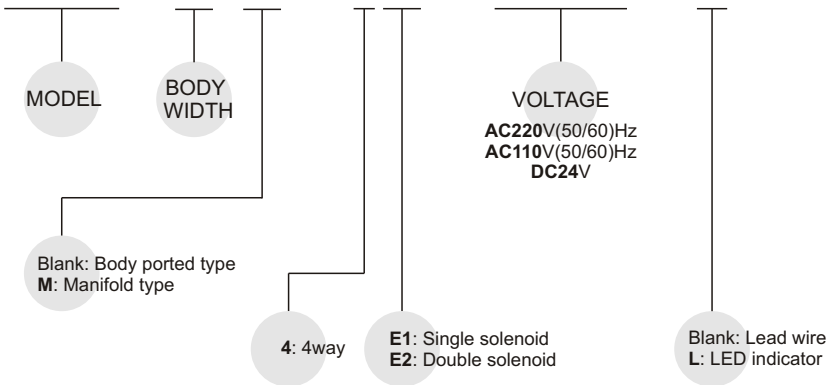


Specification:

Model	MVSA-150-4E1	MVSA-150-4E2
Bore No.	M5	
Port size	M5×0.8	
No. of port	5	
No. of position	2	
Medium	Air	
Operating pressure range	1.5~8 kgf/cm ²	
Proof pressure	10 kgf/cm ²	
Effective orifice	3.8 mm ²	
Response time	30 ms	
Ambient temperature	-5~+50°C (No freezing)	
Voltage	AC110V, 220V (50/60)Hz, DC24V	
Power consumption	AC=2.1/1.8VA, DC=1.6W	
Available voltage range	±10%	
Insulation class	B class	
Weight	76 g	115 g

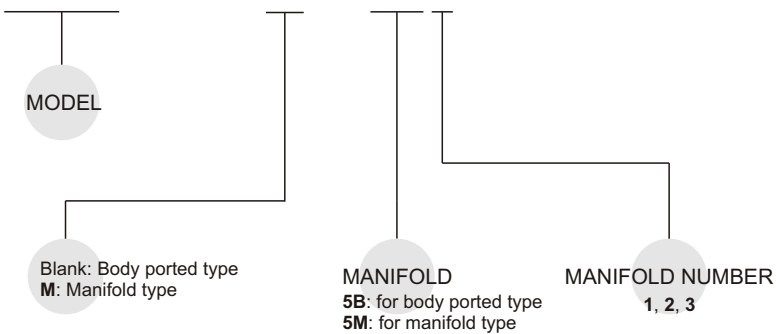
Order example of valve:

MVSA – 150M – 4E2 – AC110 – L



Order example of manifold:

MVSA – 150M – 5M3



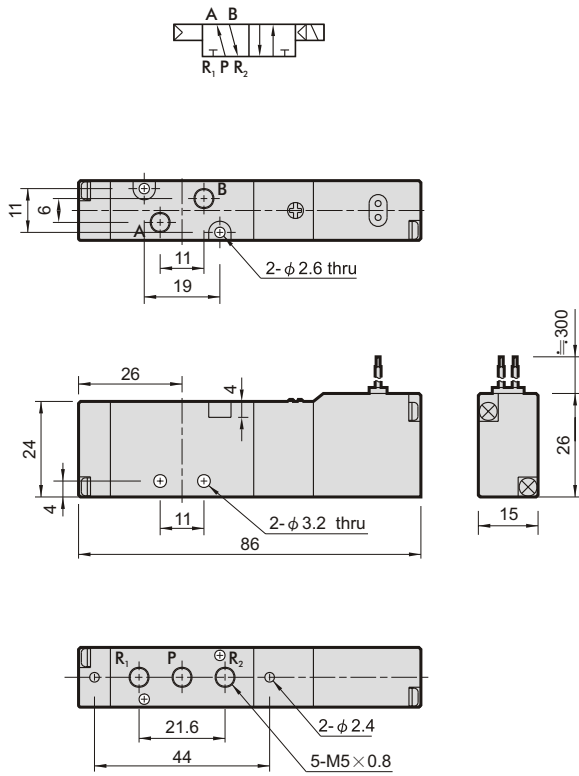
MVSA-150

SOLENOID VALVE

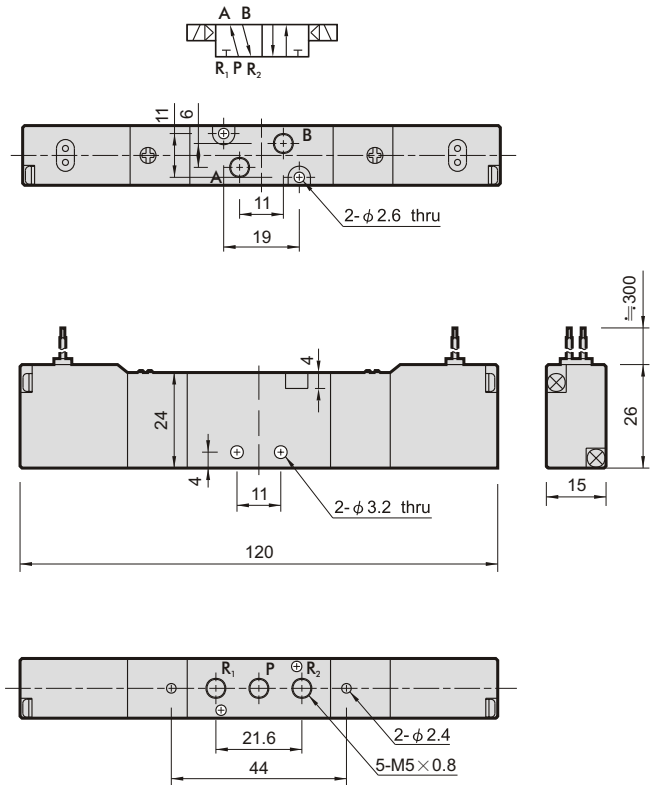


Dimensions:

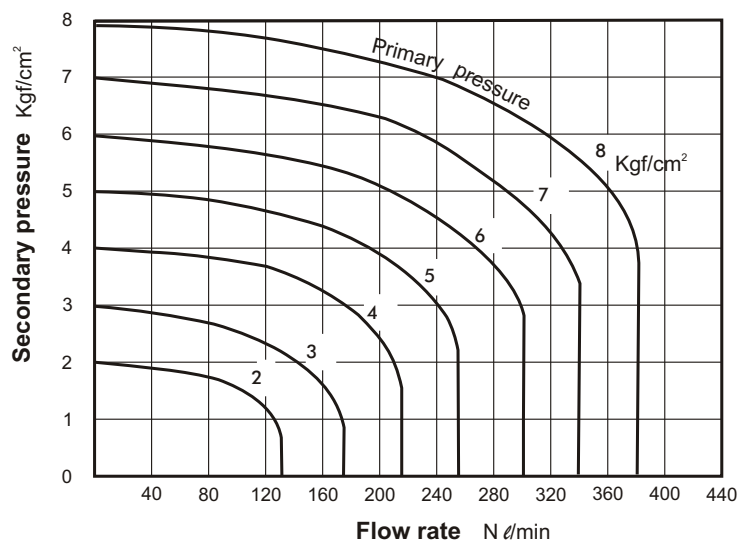
MVSA-150-4E1



MVSA-150-4E2



Flow features:



MVSA-150

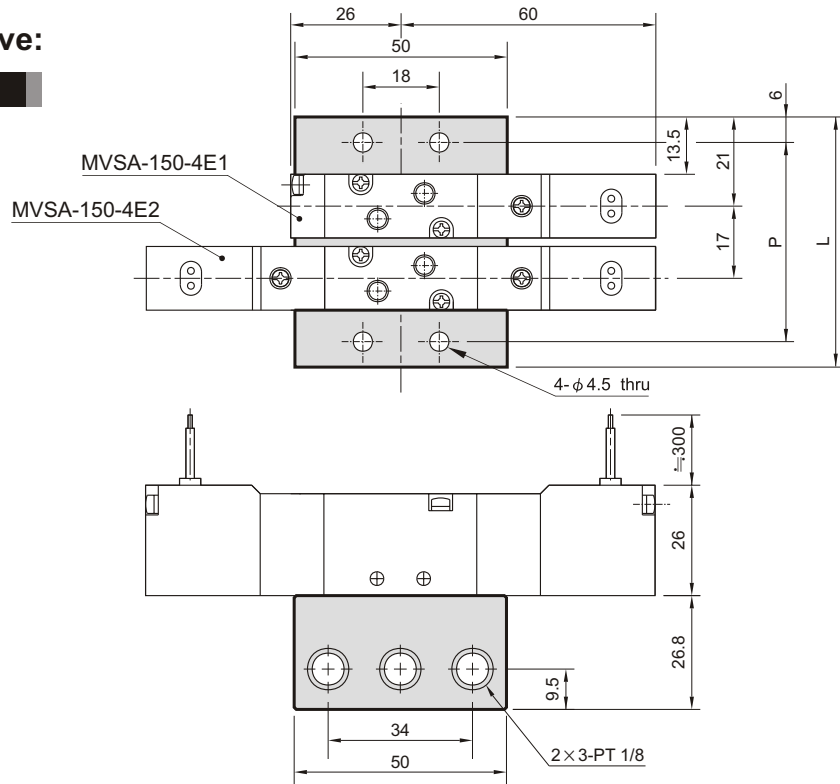
SOLENOID VALVE



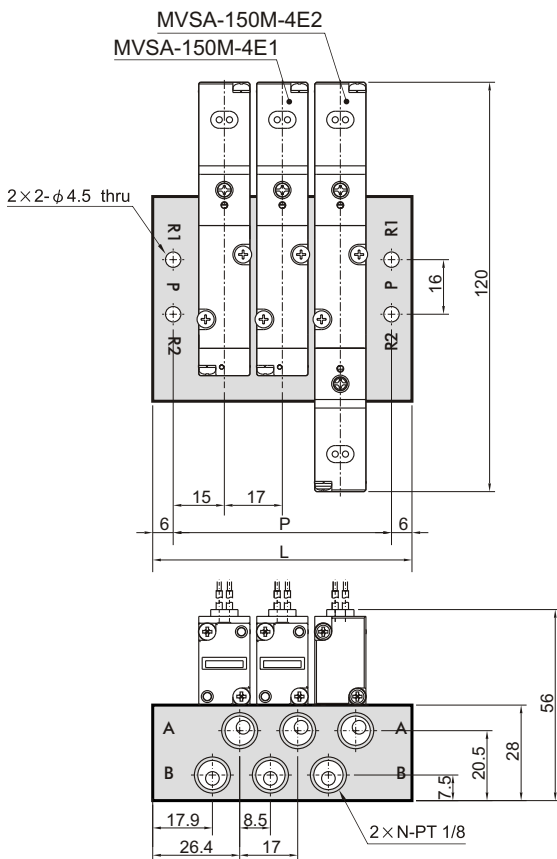
Manifold of solenoid valve:

MVSA-150-5B*

No. of stations	P	L
2	47	59
3	64	76
4	81	93
5	98	110
6	115	127
7	132	144
8	149	161
9	166	178
10	183	195



MVSA-150M-5M*



No. of stations (N)	P	L
2	47	59
3	64	76
4	81	93
5	98	110
6	115	127
7	132	144
8	149	161
9	166	178
10	183	195