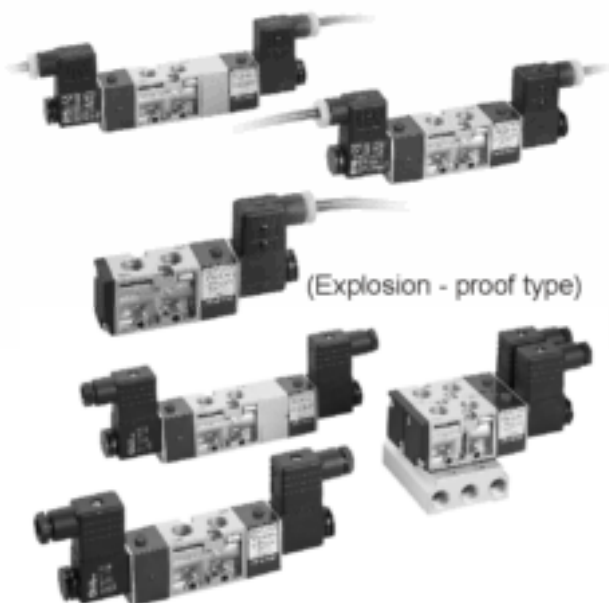


MVSC-260 series

SOLENOID VALVE



Specification:

Model	MVSC-260-4E1	MVSC-260-4E2	MVSC-260-4E2C.P.R
Bore No.	8A		
Port size	PT 1/4		
No. of port	5		
No. of position	2	2	3
Medium	Air		
Operating pressure range	2~7 kgf/cm ²		3~7 kgf/cm ²
Proof pressure	10 kgf/cm ²		
Effective orifice	18 mm ²		16 mm ²
Response time	40 ms		
Ambient temperature	-5~+50℃ (No freezing)		
Voltage	AC110V, 220V (50/60)Hz, DC24V		
Power consumption	AC=6/4.9VA, DC=2.5W		
Available voltage range	±10%		
Insulation class	F class		
Weight	228 g	314 g	444 g

Order example of valve:

MVSC - 260 - 4E2C - AC110 - L - BSP

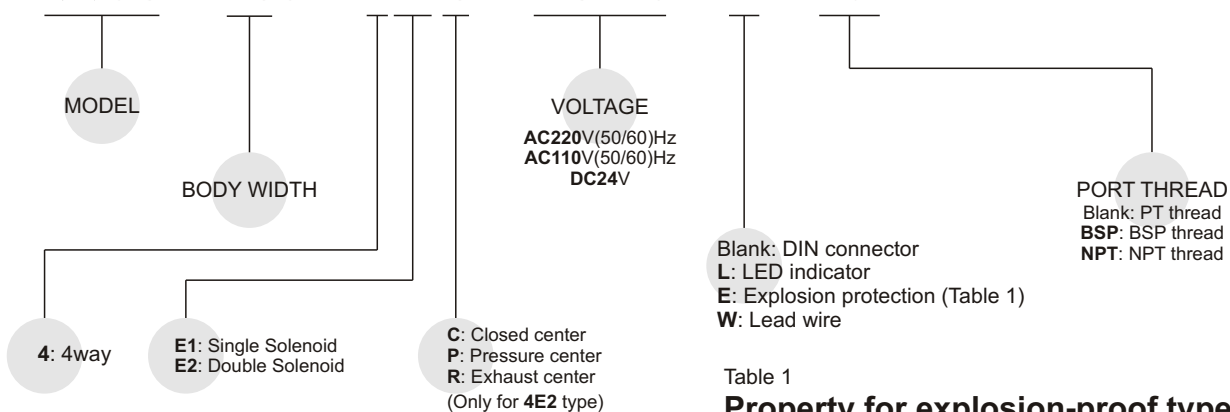


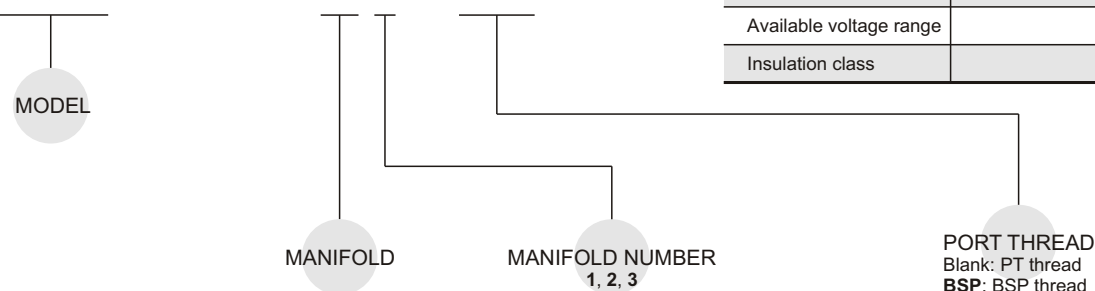
Table 1

Property for explosion-proof type

Anti-explosion class	EEx m II T4
Voltage	AC110V, 220V.(50/60)Hz, DC24V.
Power consumption	AC=4.4VA DC=5W
Available voltage range	±10%
Insulation class	F class

Order example of manifold:

MVSA - 260 - 5B3 - BSP



※Use the same manifold with MVSA.

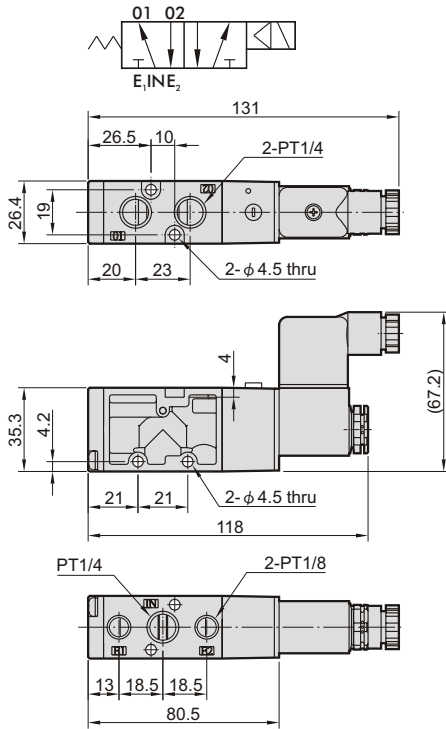
MVSC-260

SOLENOID VALVE

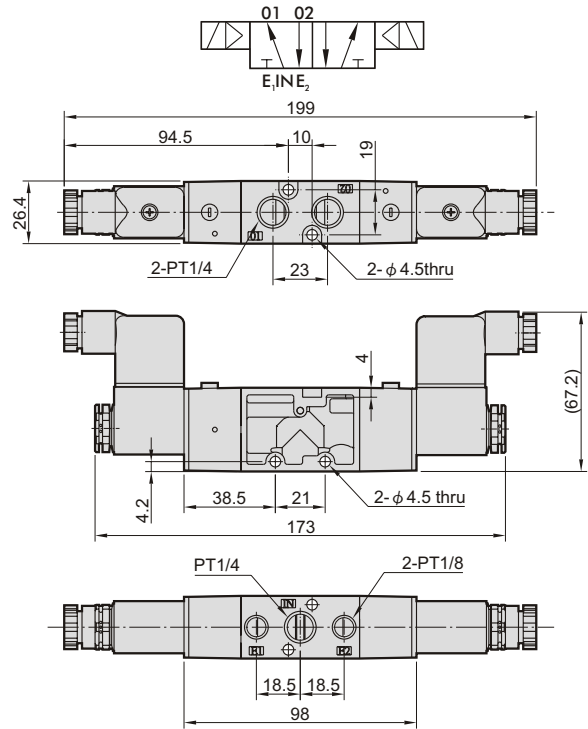


Dimensions:

MVSC-260-4E1



MVSC-260-4E2

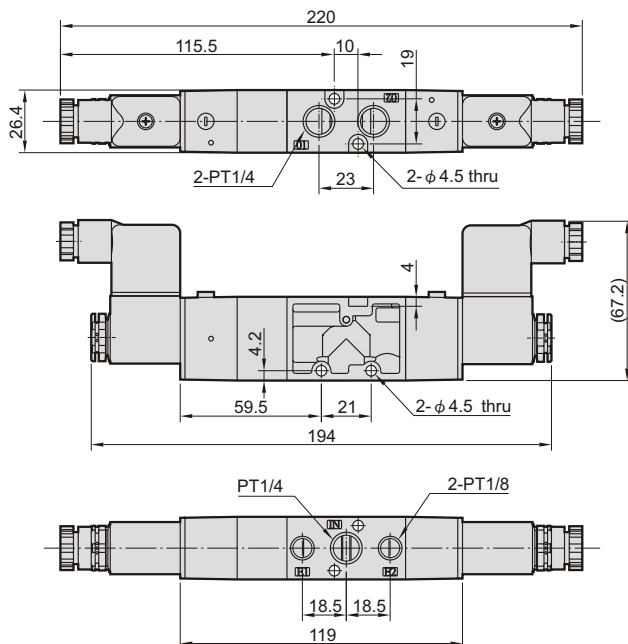
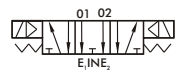


MVSC-260-4E2C.P.R

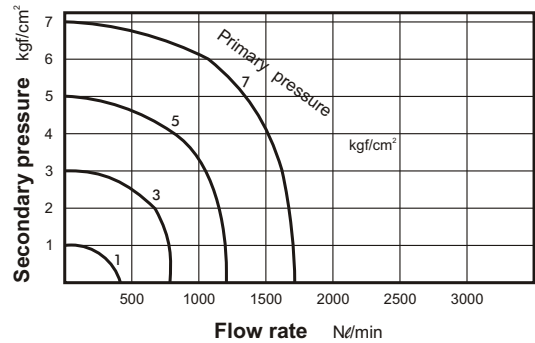
MVSC-260-4E2C

MVSC-260-4E2P

MVSC-260-4E2R



Flow features:

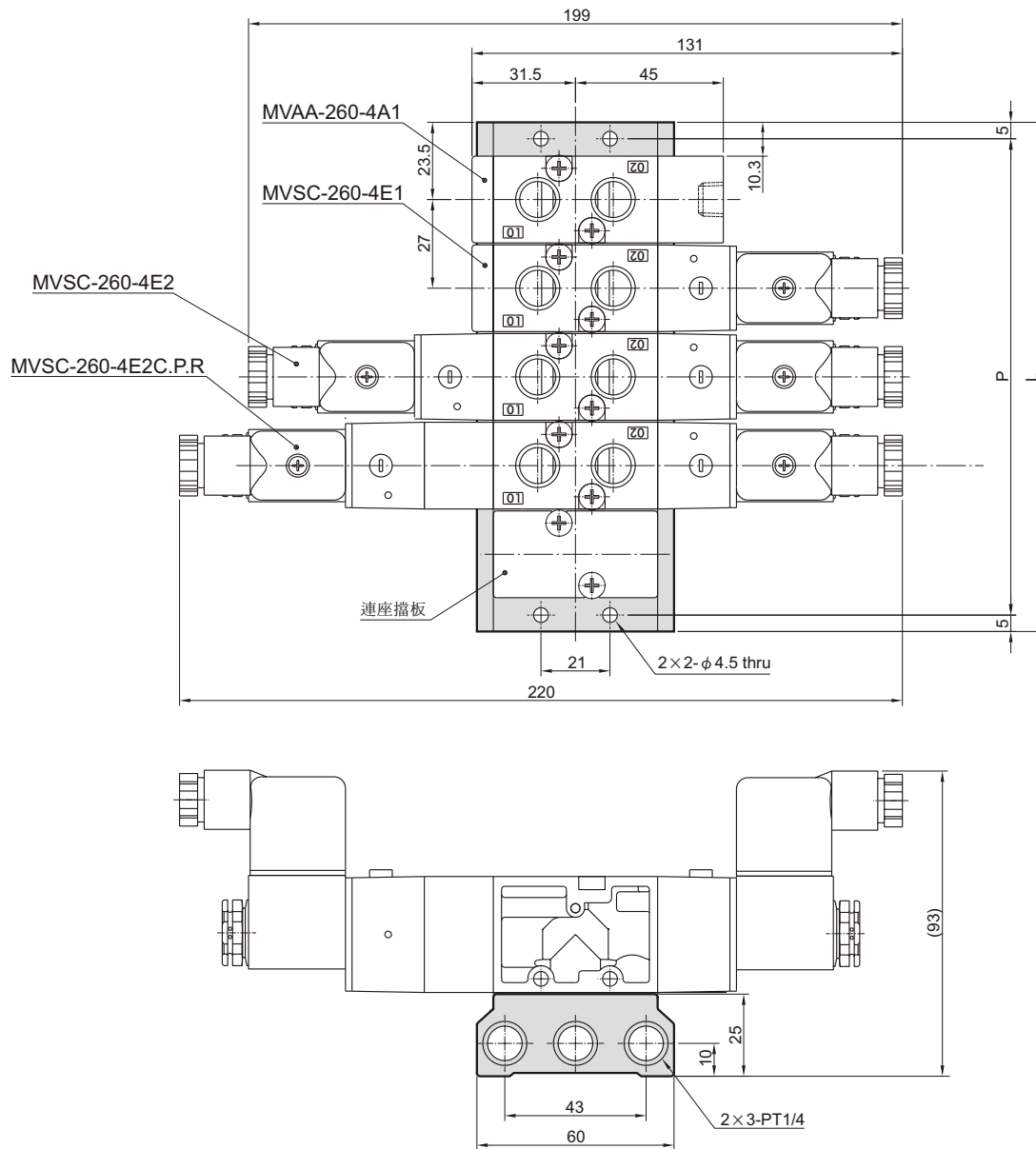


MVSC-260

SOLENOID VALVE



Manifold of solenoid valve:



No. of stations	P	L
2	64	74
3	91	101
4	118	128
5	145	155
6	172	182
7	199	209
8	226	236
9	253	263
10	280	290