

# MVSN-300 series

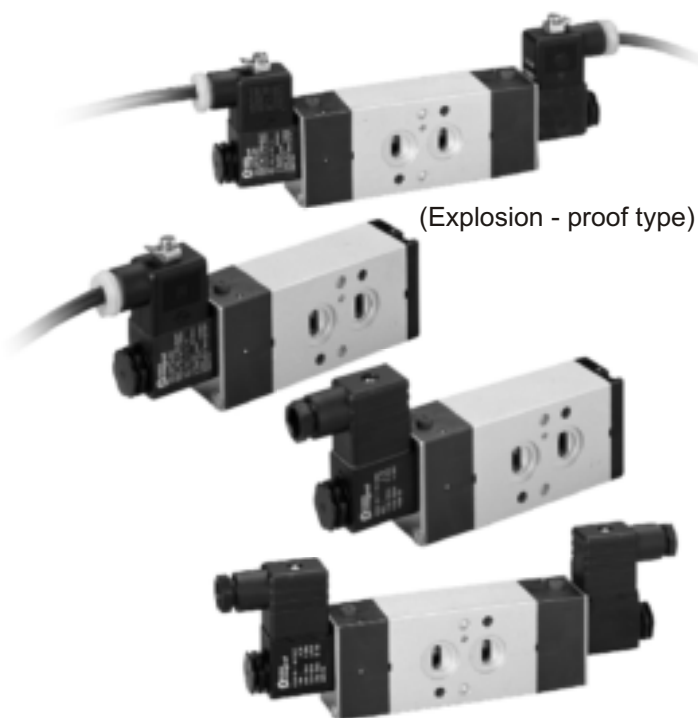
NAMUR SOLENOID VALVE



## Specification:

Model	MVSN-300-4E1	MVSN-300-4E2	MVSN-300-4E2C.P.R
Bore No.	8A		
Port size	PF 1/4 (port A, R1, R2)		
No. of port	5		
No. of position	2	2	3
Medium	Air		
Operating pressure range	2~7 kgf/cm <sup>2</sup>		3~7 kgf/cm <sup>2</sup>
Proof pressure	10.5 kgf/cm <sup>2</sup>		
Effective orifice	35 mm <sup>2</sup>		30 mm <sup>2</sup>
Response time	50 ms		
Ambient temperature	-5~+50°C (No freezing)		
Voltage	AC110V, 220V (50/60)Hz, DC24V		
Power consumption	AC=6/4.9VA, DC=2.5W		
Available voltage range	± 10%		
Insulation class	F class		
Weight	422 g	507 g	764 g

※ Port thread PT. NPT. are also available.



## Order example of valve:

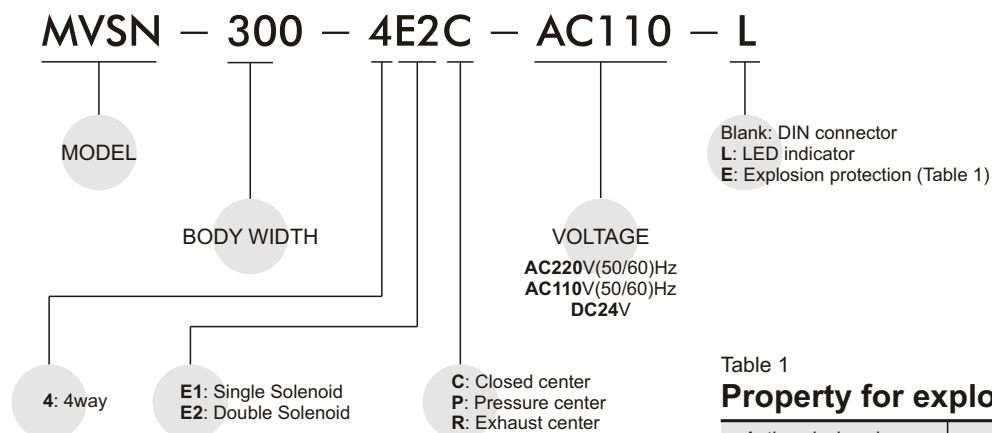


Table 1

## Property for explosion-proof type

Anti-explosion class	EEx m II T4
Voltage	AC110V, 220V.(50/60)Hz, DC24V.
Power consumption	AC=4.4VA DC=5W
Available voltage range	± 10%
Insulation class	F class

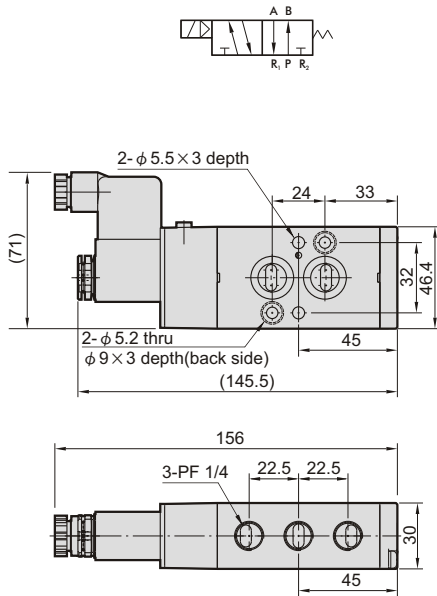
# MVSN-300

NAMUR SOLENOID VALVE

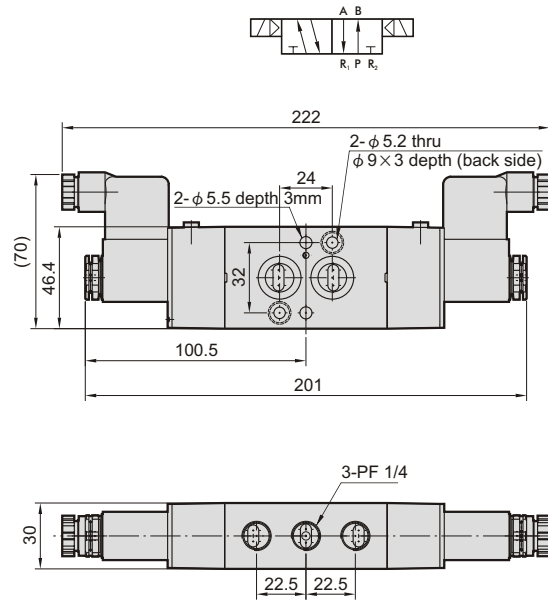


## Dimensions:

### MVSN-300-4E1



### MVSN-300-4E2

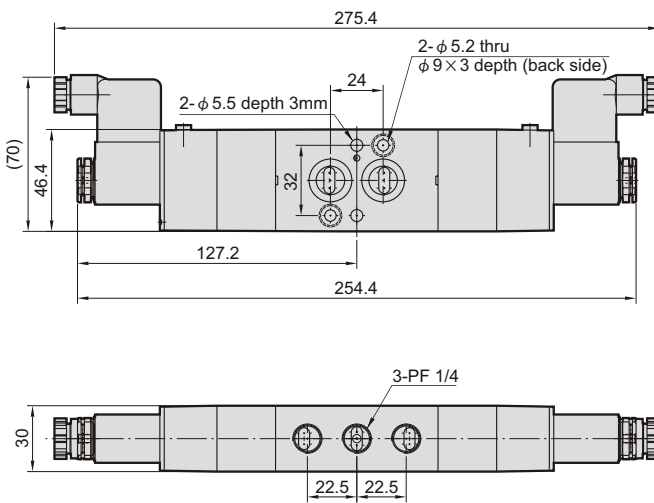
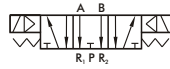
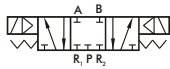


### MVSN-300-4E2C.PR

#### MVSN-300-4E2C

#### MVSN-300-4E2P

#### MVSN-300-4E2R



## Flow features:

