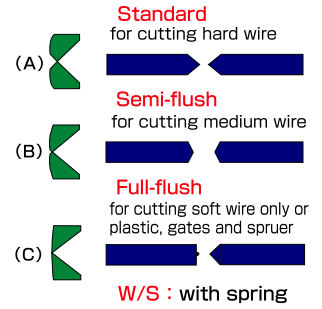


MERRY BRAND HAND TOOLS!

A wide range of "Merry" brand hand tools has been highly reputed worldwide for many decades. ALL are developed to satisfy every requirement from customers and are manufactured under strict quality control system. MUROMOTO offer, with confidence, this variety of excellent hand tools for remarkable improvement of your hand work.



<p>1050 Side cutting pliers</p> <p>Size 150mm 175mm 200mm Weight 200g 275g 375g</p>	<p>6050 Side cutting pliers (with crimping die)</p> <p>stripping hole crimping</p> <p>2.0sq $\phi 1.7$</p> <p>Size 185mm Weight 295g</p>	<p>305-7 Wire nippers 305-8 (for hard wire)</p> <p>(A) W/S</p> <p>Model No. 305-7 305-8 Size 175mm 200mm Weight 195g 245g</p>	<p>77S Mini nippers</p> <p>(B) W/S</p> <p>Size 125mm Weight 75g</p>
<p>1050H Side cutting pliers</p> <p>Size 150mm 175mm 200mm Weight 210g 285g 385g</p>	<p>2080 Slim type side cutting pliers (with stripping hole)</p> <p>stripping hole</p> <p>Size 185mm 210mm Weight 230g 292g</p>	<p>405-7,405-8,405-9 End cutting nippers</p> <p>(A) W/S</p> <p>Model No. 405-7 405-8 405-9 Size 175mm 200mm 230mm Weight 245g 300g 320g</p>	<p>55S-PM Electronic nippers (wire holding type)</p> <p>(B) W/S</p> <p>scatter-proof device</p> <p>Size 120mm 150mm Weight 70g 130g</p>
<p>1050K Side cutting pliers</p> <p>W/S</p> <p>Size 150mm 175mm 200mm Weight 210g 285g 385g</p>	<p>2080N Slim type side cutting pliers</p> <p>Size 185mm 210mm Weight 230g 292g</p>	<p>450 Diagonal cutting nippers 450P (with stripping hole)</p> <p>(B) W/S</p> <p>stripping hole</p> <p>$\phi 1.2$ $\phi 1.7$</p> <p>Size 125mm 150mm Weight 70g 130g</p>	<p>22ST Diagonal nippers</p> <p>(B) W/S</p> <p>cutting</p> <p>stripping pressing</p> <p>Size 150mm Weight 130g</p>
<p>2050 High leverage side cutting pliers</p> <p>Size 185mm 225mm Weight 290g 370g</p>	<p>205 Diagonal cutting nippers</p> <p>(A) W/S</p> <p>Size 150mm 175mm 200mm Weight 185g 260g 330g</p>	<p>33S Diagonal cutting nippers (with stripping hole)</p> <p>(B) W/S</p> <p>Stripping hole</p> <p>$\phi 1.2$ $\phi 1.7$</p> <p>Size 125mm 150mm Weight 70g 110g</p>	<p>550 Box joint cutting nippers</p> <p>(B) W/S</p> <p>Size 125mm 150mm Weight 85g 125g</p>
<p>2060 High leverage side cutting pliers (with crimping die & stripping hole)</p> <p>crimping</p> <p>stripping hole</p> <p>Size 200mm Weight 300g</p>	<p>205H Diagonal cutting nippers</p> <p>(A) W/S</p> <p>Size 150mm 175mm 200mm Weight 195g 270g 345g</p>	<p>55S Electronic nippers</p> <p>(B) W/S</p> <p>Size 120mm 150mm Weight 70g 130g</p>	<p>550S Cutting nippers</p> <p>(B) W/S</p> <p>Size 125mm 150mm Weight 105g 140g</p>
<p>2060N High leverage side cutting pliers (with crimping die)</p> <p>crimping</p> <p>Size 200mm Weight 300g</p>	<p>206S Flush diagonal nippers</p> <p>(C) W/S</p> <p>Size 150mm 175mm 200mm Weight 185g 260g 330g</p>	<p>57S Mecatro-nippers (built-in spring)</p> <p>(B) W/S</p> <p>Size 125mm Weight 70g</p>	<p>550SH Cutting nippers</p> <p>(B) W/S</p> <p>Size 125mm 150mm Weight 110g 145g</p>