

For Air

Full-Blow Cupla

Low pressure loss & high flow rate

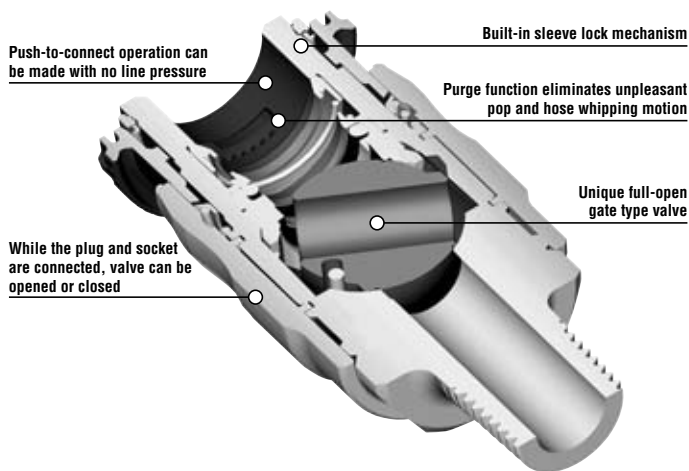
Working pressure



Valve structure



Applicable fluid



Unique full-open gate type valve mechanism realizes low pressure loss and high flow rate, which reduces required source air volume.

- The flow rate is increased by up to 40% more than that of conventional Cuplas.
- During connection and disconnection, the valve is closed, enabling connection/disconnection under zero line pressure.
- When the sleeve of socket is returned to the original position, the purge mechanism releases the residual pressure inside the plug eliminating unpleasant pop and hose whipping motion.
- Built-in sleeve lock mechanism prevents unexpected disconnection of Cuplas, assuring safe operation.
- The valve can be opened and closed while the socket and plug is connected.
- The weight is reduced by 30 to 45% compared with that of conventional Cuplas.

Note: Direct mounting of Full-Blow Cupla to percussive and vibrating tools should be avoided.

Specifications

Body material	Aluminum alloy			
Size	1/4" (20 type) • 3/8" (30 type) • 1/2" (40 type)			
	For ø6.5 mm x ø10 mm • ø8 mm x ø12 mm polyurethane hose For ø8.5 mm x ø12.5 mm • ø11 mm x ø16 mm polyurethane hose			
Working pressure MPa (kgf/cm ²)	1.5 (15)			
Pressure resistance MPa (kgf/cm ²)	2.0 (20)			
Seal material	Nitrile rubber	NBR (SG)	Working temperature range	-5°C~+60°C
Working temperature range	Standard material			

Max. Tightening Torque

Size	1/4"	3/8"	1/2"	spring nut
Torque	14 (143)	22 (224)	66 (612)	9~11 (92~112)

Flow Direction

Fluid must run from socket to plug.



Interchangeability

Can be connected with plugs from Hi Cupla Models 20, 30 and 40. Interchangeable with each corresponding Hi Cupla Series models.

Min. Cross-Sectional Area

Model	17PH	20PH	20PM/PF	30PH	30PM/PF	40PH	40PM/PF
FBH-20SH	16	20	23.8	23.8	23.8	23.8	23.8
FBH-30SH	16	20	44.2	44.2	44.2	44.2	44.2
FBH-40SH	16	20	44.2	44.2	44.2	44.2	44.2
FBH-20SM	16	20	44.2	44.2	44.2	44.2	44.2
FBH-30SM	16	20	44.2	44.2	44.2	44.2	44.2
FBH-40SM	16	20	44.2	44.2	44.2	44.2	44.2
FBH-20SF	16	20	44.2	44.2	44.2	44.2	44.2
FBH-30SF	16	20	44.2	44.2	44.2	44.2	44.2
FBH-40SF	16	20	44.2	44.2	44.2	44.2	44.2
FBH-65SN	16	20	23.8	23.8	23.8	23.8	23.8
FBH-80SN	16	20	44.2	44.2	44.2	44.2	44.2
FBH-85SN	16	20	44.2	44.2	44.2	44.2	44.2
FBH-110SN	16	20	44.2	44.2	44.2	44.2	44.2

Suitability for Vacuum

Not suitable for vacuum application in either connected or disconnected condition.

Pressure - Flow Rated Characteristics (Comparison with Hi Cupla)

[Test conditions] • Fluid : Air • Temperature : Room temperature

